



- U.S.A. : **KUBOTA TRACTOR CORPORATION**
1000 Kubota Drive, Grapevine, TX 76051
Telephone : 888-4KUBOTA
- Canada : **KUBOTA CANADA LTD.**
5900 14th Avenue, Markham, Ontario, L3S 4K4, Canada
Telephone : (905)294-7477
- France : **KUBOTA EUROPE S.A.S**
19-25, Rue Jules Vercurysse, Z.I. BP88, 95101 Argenteuil Cedex, France
Telephone : (33)1-3426-3434
- Italy : **KUBOTA EUROPE S.A.S Italy Branch**
Via Grandi, 29 20068 Peschiera Borrome (MI) Italy
Telephone : (39)02-51650377
- Germany : **KUBOTA BAUMASCHINEN GmbH**
Steinhauser str, 100, 66482 Zweibrucken Rheinlandpfalz Germany
Telephone : (49)6332-4870100
- U.K. : **KUBOTA (U.K.) LTD.**
Dormer Road, Thame, Oxfordshire, OX9 3UN, U.K.
Telephone : (44)1844-214500
- Australia : **KUBOTA AUSTRALIA PTY LTD.**
25-29 Permas Way, Truganina, VIC 3029, Australia
Telephone : (61)-3-9394-4400
- Malaysia : **KUBOTA MALAYSIA SDN. BHD.**
No.3 Jalan Sepadu 25/123 Taman Perindustrian Axis,
Seksyen 25, 40400 Shah Alam, Selangor Darul Ehsan Malaysia
Telephone : (60)3-736-1388
- Philippines: **KUBOTA PHILIPPINES, INC.**
232 Quirino Highway, Baesa, Quezon City 1106, Philippines
Telephone : (63)2-422-3500
- Taiwan : **SHIN TAIWAN AGRICULTURAL MACHINERY CO., LTD.**
16, Fengping 2nd Rd, Taliaw Shiang Kaohsiung 83107, Taiwan R.O.C.
Telephone : (886)7-702-2333
- Thailand : **SIAM KUBOTA CORPORATION CO., LTD.**
101/19-24 Moo 20, Navanakorn Industrial Estate, Tambon Khlongnueng, Amphur Khlongluang,
Pathumthani 12120, THAILAND
Telephone : (66)2-909-0300
- Japan : **KUBOTA Corporation**
Farm & Industrial Machinery International Operations Headquarters
2-47, Shikitsuigashi 1-chome, Naniwa-ku, Osaka, Japan 556-8601

English (Australia)
Code No. V1312-5822-4

OPERATOR'S MANUAL

KUBOTA SSL Skid Steer Loader

MODELS

SSV65
SSV75



1BCAAAAAP4430

S
S
V
6
5
S
S
V
7
5























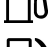


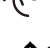




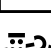



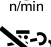



READ AND SAVE THIS MANUAL

ABBREVIATION LIST

Abbreviations	Definitions
AFS	Air Flow Sensor
API	American Petroleum Institute
ASTM	American Society for Testing and Materials, USA
AUX	Auxiliary
CRS	Common Rail System
DIN	Deutsches Institut für Normung, GERMANY
	(German Institute for Standardization)
DOC	Diesel Oxidation Catalyst
DPF	Diesel Particulate Filter
EGR	Exhaust Gas Re-circulation
EN	European Standard
FOPS	Falling Objects Protective Structure
ISO	International Organization for Standardization
JIS	Japanese Industry Standard
MAF	Mass Air Flow
MIL	Military Specification and Standard
OPC	Operator Presence Control
OSHA	Occupational Safety and Health Administration
P/L	Pressure Limiter
PCV	Positive Crankcase Ventilation
ROPS	Roll-Over Protective Structure
rpm	Revolutions Per Minute
rps	Revolutions Per Second
SAE	Society of Automotive Engineers, USA
SCV	Suction Control Valve
SMV	Slow Moving Vehicle
SSL	Skid Steer Loader

UNIVERSAL SYMBOLS

As a guide to the operation of your machine, various universal symbols have been utilized on the instruments and controls. The symbols are shown below with an indication of their meaning.

	Caution		Parking Brake
	Engine, Electrical Preheat		Front Working Light
	Engine Lubricating Oil Pressure		Rear Working Light
	Coolant Temperature		Lock
	Hydraulic Oil Temperature		Unlock
	Hydraulic Lock		Forward
	Hydraulic Unlock		Backward
	AUX Hydraulics		Turn Right
	High-Flow		Turn Left
	AUX Hold		Lift Arm Raise
	AUX Electrical Power		Lift Arm Lower
	Fuel		Loader Bucket, Dump
	Diesel Fuel		Loader Bucket, Rollback
	Fast (Speed Indicator)		Loader Bucket, Float
	Slow (Speed Indicator)		Quick Hitch Lock
	Battery Charge		Horn
	DPF Standby / Regeneration		Ride Control
	Engine Rev up		Turn signal
	Inhibit DPF Regeneration		AUX electrical mode change

FOREWORD

You are now the proud owner of a KUBOTA SSL. This machine is a product of KUBOTA quality engineering and manufacturing. It is made of fine materials and under a rigid quality control system. It will give you long, satisfactory service. To obtain the best use of your machine, please read this manual carefully. It will help you become familiar with the operation of the machine and contains many helpful hints about machine maintenance. It is KUBOTA's policy to utilize as quickly as possible every advance in our research. The immediate use of new techniques in the manufacture of products may cause some sections of this manual to become outdated. KUBOTA distributors and dealers will have the most up-to-date information. Please do not hesitate to consult with them.

SAFETY FIRST

This symbol, the industry's "Safety Alert Symbol", is used throughout this manual and on labels on the machine itself to warn of the possibility of personal injury. Read these instructions carefully. It is essential that you read the instructions and safety regulations before you attempt to assemble or use this unit.



DANGER : Indicates an imminently hazardous situation which, if not avoided, will result in death or serious injury.



WARNING : Indicates a potentially hazardous situation which, if not avoided, could result in death or serious injury.



CAUTION : Indicates a potentially hazardous situation which, if not avoided, could result in minor or moderate injury.

IMPORTANT : Indicates that equipment or property damage could result if instructions are not followed.

NOTE : Gives helpful information.

CONTENTS

▲SAFE OPERATION	▲-1
DEALER SERVICE.....	1
TECHNICAL DATA.....	3
DESCRIPTION OF MACHINE PARTS.....	4
INSTRUMENT PANEL AND CONTROL ELEMENTS.....	5
CHECKS BEFORE START	8
DAILY CHECKS.....	8
CHECKING THE SWITCHES	8
Hydraulic Unlock Switch	8
OPC Switch	8
Parking Brake Switch.....	9
AUX Port Switch	9
Inhibit Diesel Particulate Filter (DPF) Regeneration Switch	9
AUX Port Switch (High-Flow model only)	10
Working Light Switch	10
Interior Lamp Switch	11
Travel Speed Switch.....	11
Horn Switch	11
AUX Port Variable Switch	12
AUX Hold Switch	12
AUX Electrical Control Switch (Option).....	12
Float Switch	13
Starter Switch	13
Ride Control (KSR) Switch (Option)	13
Hydraulic Quick-Hitch Switch (Option).....	14
Hydraulic Bucket Positioning Switch (Option).....	14
Wiper/Washer Switch (Closed cab model)	14
Four-way Flasher / Turn Signal Switch (Option).....	15
CHECKING THE LAMPS AND INDICATORS	15
Fuel Gauge Indicator	15
Remaining Fuel Warning Lamp	16
Coolant Temperature Gauge	16
Parking Lamp.....	17
Warning Lamp	17
Glow Plug Lamp	17
Engine Oil Pressure Warning Lamp	17
Battery Charge Lamp.....	18
Hydraulic Oil Temperature Warning Lamp	18
Hour-Meter.....	18
Diesel Particulate Filter (DPF) regeneration indicator	19
Engine rev up warning lamp	19
Air Cleaning Warning Indicator	19
EXHAUST AFTERTREATMENT DEVICES	20
Catalyst-containing Diesel Particulate Filter (DPF) device	20
Regeneration of Diesel Particulate Filter (DPF).....	20

CHECKING THE SAFETY DEVICES	21
Emergency Exit.....	21
Armrests Function.....	21
OPC Function	21
Forced Lift Arms Lowering Device.....	21
Lift Arm Stopper.....	22
DOOR AND WINDOWS.....	23
Opening/Closing of Cab Door (Closed cab model).....	23
Opening/Closing of Side Cab Window (Closed cab model)	25
AIR-CONDITIONER.....	25
Air Flow.....	25
Air Control Vent	26
Control Panel.....	27
Operation.....	27
OPERATION OF THE ENGINE.....	28
STARTING THE ENGINE	28
Checkpoints after Starting the Engine	29
STARTING THE ENGINE UNDER COLD CONDITIONS.....	30
STOPPING THE ENGINE.....	30
STARTING WITH AN AUXILIARY BATTERY	30
Observe Following Guidelines when Starting with an Auxiliary Battery.....	30
OPERATION OF THE MACHINE	31
RUNNING-IN OF THE MACHINE.....	31
Do not Work with Full Engine Rpm's or Full Loads during the First 50 Working Hours..	31
Oil Change in the Run-in Stage.....	31
STARTING	31
Adjusting the Operator's Seat.....	31
Seat Belt.....	32
Armrest.....	32
TRAVELING.....	33
Forward and Backward Travel.....	33
TURNING.....	33
Pivot Turn	33
Spin Turn	34
OPERATION OF THE LIFT ARMS.....	34
OPERATION OF THE BUCKET	34
AUXILIARY HYDRAULIC CONTROL.....	35
Auxiliary Hydraulic Control Operation.....	36
ATTACHMENT CONTROL DEVICE (OPTION)	37
MECHANICAL QUICK-HITCH	38
Attaching Attachments.....	38
Detaching Attachments.....	39
HYDRAULIC QUICK-HITCH (OPTION).....	40
Attaching Attachments.....	40
Detaching Attachments.....	41
IMPORTANT INFORMATION ON MACHINE OPERATION.....	42
Caution While Traveling.....	42
Precaution When Traveling in High Speed.....	42
Precautions for Use of Machine Near Water	42
Precaution When Traveling on Inclines	42

Parking on an Incline	43
Prohibited Actions	43
LIFTING THE MACHINE	44
TRANSPORTING THE MACHINE	45
LOADING THE MACHINE ON A TRANSPORT VEHICLE	45
TOWING AN OPERABLE MACHINE	47
TOWING AN INOPERABLE MACHINE	47
MAINTENANCE	48
MAINTENANCE INTERVALS	48
OPENING AND CLOSING OF COMPONENTS	51
Rear Door	51
Rear Upper Cover	51
Radiator and Oil Cooler	52
Where to Keep Operator's Manual	52
Utility Box	52
Jacking Up the Machine	52
Tilting Up the CAB	53
DISCHARGING MUD FROM OPERATOR ROOM AND MAIN FRAME	55
Operator room	55
Main Frame	55
DAILY CHECKS	56
Checking Coolant Level	56
Checking Fuel Level	56
Checking Engine Oil Level	57
Checking Hydraulic Oil Level	57
Lubrication Points	58
Checking Radiator, Oil Cooler and Fuel Cooler	58
Checking and Cleaning Engine and Electrical Wiring	58
Checking V-belt	59
Washing Whole Machine	59
Checking Machine Side and Rear Grills	59
Draining Water Separator	59
Checking Evacuator Valve	60
Checking Air Cleaner Warning Indicator	60
Checking Diesel Particulate Filter (DPF) Muffler	60
Checking Washer Liquid (Closed cab model)	61
Checking Battery Condition	61
Checking Air-Conditioner Condenser	62
Cleaning Fuel Tank Cap (Vent hole)	63
Checking of Tires	63
Checking of Wheel Nuts	63
REGULAR CHECKS AND MAINTENANCE WORK	64
EVERY 50 SERVICE HOURS	64
Draining the Water from the Fuel Tank	64
Changing Tires	64
Mounting the Tires	65
Inspection and Cleaning Air Cleaner Element	65
Air Cleaner Element	65
Cleaning Evacuator Valve	66

Cleaning Fresh Air Filter	67
Cleaning Recirculation Air Filter	67
EVERY 250 SERVICE HOURS	68
Checking Radiator Hoses and Clamps	68
Checking Fuel Line and Intake Air Line	68
Adjusting V-belt Tension	69
Cleaning Inside of Main Frame	69
Checking Drive Chain Tension	70
Replacing Air Cleaner Element	71
Changing Engine Oil	71
Replacing Engine Oil Filter Cartridge	72
EVERY 500 SERVICE HOURS	73
Replacing Fuel Filter Cartridge	73
Changing Chain Case Oil	73
Changing Return Filter (First filter change: 250 hours)	74
Replacing Breather Filter	74
Replacing Hydraulic Oil Filter (First filter change: 50 hours)	74
Checking Air-conditioner Drain	74
Replacing Water Separator Filter Element	75
EVERY 1000 SERVICE HOURS	75
Hydraulic Oil Change (Including Replacing Suction Filter in the Hydraulic Tank and Return Filter)	75
Hydraulic Oil Check with Hydraulic Hammers	76
Adjusting Engine Valve Clearance	77
EVERY 1500 SERVICE HOURS	77
Checking Injector Tip	77
Replacing Oil Separator Element	77
Checking PCV (Positive Crankcase Ventilation) Valve	77
Checking EGR Cooler	77
EVERY 2000 SERVICE HOURS	77
Checking the Alternator and Starter Motor	77
EVERY 3000 SERVICE HOURS	77
Checking EGR System	77
Checking Turbocharger	77
Cleaning Diesel Particulate Filter (DPF)	77
ANNUAL SERVICING	78
Checking Air-Conditioner Pipes and Hoses	78
Checking Exhaust Manifold (Cracks, Gas, Leakage and Mounting Screw)	78
Checking Intake Air Line for Air Leaks	78
Checking Boost Sensor and AFS (Air Flow Sensor)	78
Checking Condition of Diesel Particulate Filter (DPF) Muffler	78
Checking Diesel Particulate Filter (DPF) Differential Pressure Sensor and Piping for Gas Leak	78
Checking Diesel Particulate Filter (DPF) Exhaust Gas Temperature Sensor	78
Checking EGR Piping for Gas Leak	78
BIENNIAL SERVICING	78
Changing Radiator Coolant	78
Replacing Fuel Hose	79
Replacing Intake Air Line	79
Replacement of Radiator Hoses	80
Replacing Air-Conditioner Pipes and Hoses	80
Replacement of Closed Breather Related Rubber Piping	80

Replacement of Diesel Particulate Filter (DPF) Differential Pressure Sensor Rubber Piping (Front and Back).....	80
Replacement of Suction pipe downstream the AFS (Air Flow Sensor)	80
Replacement of Boost Sensor Pressure Rubber Piping.....	80
Replacement of EGR Cooler Hose.....	80
SERVICING AS REQUIRED.....	80
Checking Amount of Refrigerant (gas)	80
OTHER ADJUSTMENTS AND REPLACEMENTS.....	81
PURGING OF THE FUEL SYSTEM	81
TIRES.....	81
Handling Tires.....	81
Checking of Tires.....	81
Changing Tires	81
Mounting Tires.....	81
FUSES	81
Replacing Fuses.....	81
Fuse Capacities and Circuits.....	82
Electrical Outlet.....	82
Slow Blow Fuse	83
TROUBLESHOOTING.....	84
List of Error Code Numbers	86
OPERATION UNDER COLD WEATHER CONDITIONS	92
PREPARATION FOR OPERATION IN COLD WEATHER.....	92
PROCEDURE AFTER COMPLETION OF WORK	92
LONG STORAGE	93
RECOMMENDED OILS.....	95
BIODIESEL FUEL (BDF)	97
APPENDICES.....	99
MAIN DIMENSIONS	99



SAFE OPERATION

Careful operation is your best insurance against an accident.

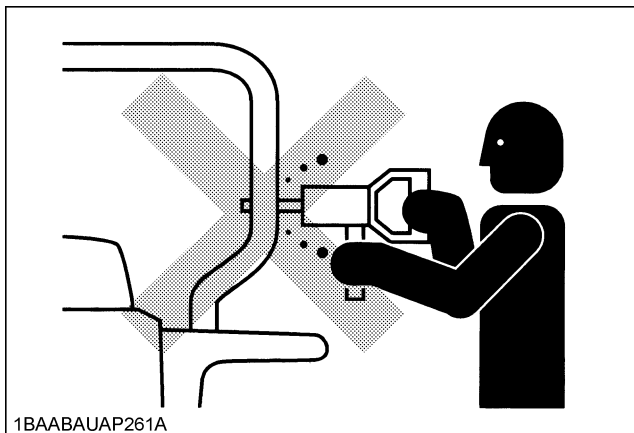
Read and understand this section carefully, before operating the machine.

Every user, however experienced, should carefully read and understand this section and those of the attachments and accessories before taking the machine into operation. The owner is obliged to inform the operators of these instructions in detail.

Keep this manual in the storage place. (See "Where to keep Operator's Manual" in "MAINTENANCE" section.)

1. BEFORE OPERATION

1. Know your equipment and its limitations. Read and understand this entire manual before attempting to start and operate the machine.
2. Obey the danger, warning and caution labels on the machine.
3. For your safety, a ROPS/FOPS (Roll-Over Protective Structure/Falling Objects Protective Structure) with a seat belt is installed by KUBOTA. Always use the seat belt when the machine is equipped with the ROPS/FOPS as this combination will reduce the risk of personal injury or death, should the machine be upset. Do not modify structural members of ROPS by welding, drilling, bending, grinding or cutting, as this may weaken the structure. If any component is damaged, replace it. Do not attempt repairs. If the ROPS is loosened or removed for any reason, make sure all parts are reinstalled correctly. Tighten mounting bolts to proper torque.



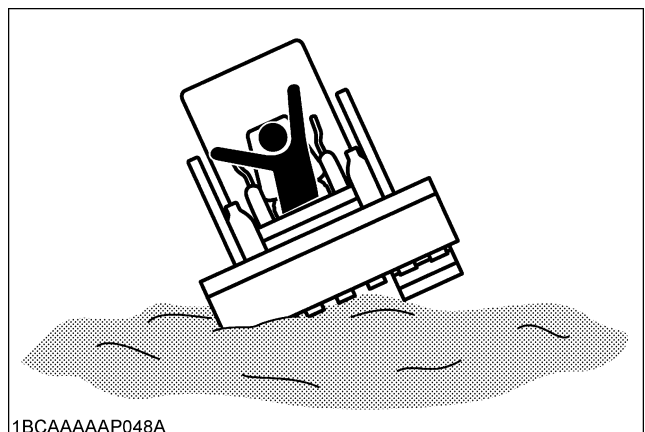
1BAABAUAP261A

4. The ROPS/FOPS structure complies with ISO 3471, ISO 3449 and OSHA regulations.
5. The seat belt must be inspected regularly and replaced if frayed or damaged.



1BCAAAAAP045A

6. Always sit in the operator's seat when starting the engine or operating the levers or controls.
7. Do not operate the machine while under the influence of alcohol, medication, controlled substances or while fatigued.
8. Check the surrounding area carefully before using the machine or when attachments are being connected. To avoid any danger of electrocution, never operate the machine near power lines before confirming the power is off. Never approach a machine or load that is contacting a power source such as power lines. Electrocution can occur by coming into contact with a machine that is near power lines.
9. Check for buried pipes and cables before digging.
10. Check for hidden holes, obstacles, soft underground, and overhangs. Do not enter soft ground.
 - During machine use, do not allow any persons within the working range.



1BCAAAAAP048A

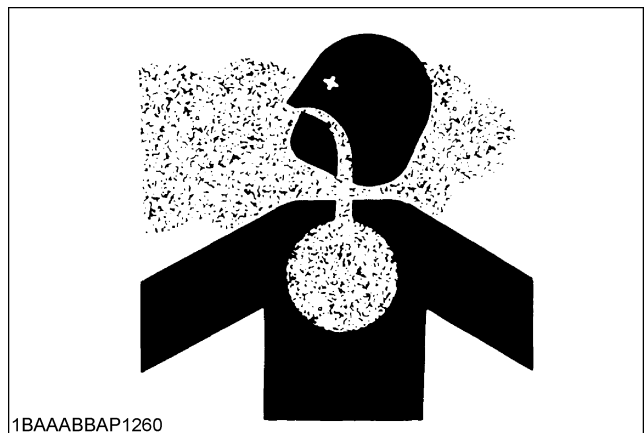
11. Do not allow anyone to use the machine until they have been informed of the work to be performed and they have read and understood the operator's manual.
12. Do not wear baggy, torn or oversized clothing when working with the machine as such clothing can get caught in rotating parts or control elements which can cause accidents or injuries. Wear adequate safety clothing, e.g. safety helmet, safety shoes, eye protection, ear protection, working gloves, etc., as necessary and as prescribed by law or statutes. If exposed to loud noise for long hours, you may suffer from hearing difficulty or loss. To protect your ears from unpleasant, loud noise, wear ear muffs, ear plugs or other protective ear pieces, as required.



13. Do not allow passengers to ride on any part of the machine at any time. The operator must remain in the machine seat during operation.
14. Check the levers, pedal and mechanical parts for correct adjustments and wear. Replace worn or damaged parts immediately. Check the nuts and bolts regularly for correct torque.
15. Keep your machine clean. Heavy soiling, grease, dust and grass can cause fires, accidents or injuries.
16. Before starting the machine, be absolutely sure that the machine has been filled with fuel, lubricated, greased and undergone all necessary maintenance.
17. Do not modify the machine, otherwise it could lead to unforeseen safety problems.
18. Make sure attachments, particularly those utilizing the quick-hitch, are securely mounted. Use only KUBOTA authorized attachments.

2. OPERATING THE MACHINE

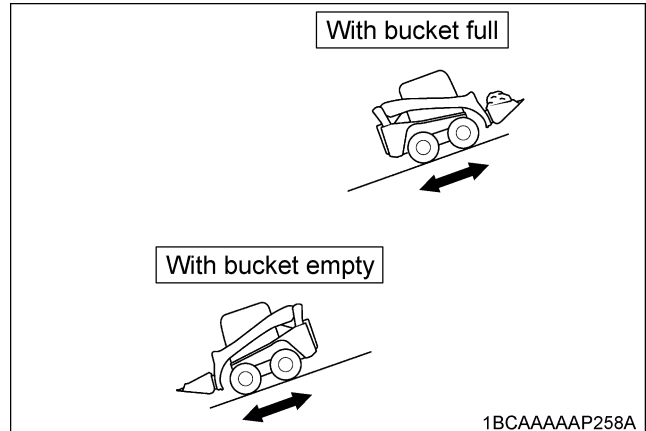
1. Mount and dismount the machine safely. Always face the machine. Always use handrails and available steps at least three points and keep yourself well balanced. Do not grab or hold any of the control levers, pedal or switches. Do not jump on or off the machine, whether stationary or in motion.
2. Before starting the job, run the machine for all movements in a large space and make sure the machine functions well in every action.
3. Start and control the machine only from the operator's seat. The operator should not lean out of his/her seat when the engine is running.
4. Before starting the engine, make sure that the armrests are in the "Raised" position, the control levers are in their neutral position and the seat belt is fastened correctly.
5. Always thoroughly check the surrounding area for any possible conditions that could create a dangerous situation.
 - Make sure you read the operator's manual to thoroughly understand the operating conditions and limitations of the machine.
 - To avoid damage and to prevent accidents, always use the buddy system and have the other person, check for clearances and other possible dangers that may be obstructed from view.
 - Never allow people to approach the vicinity of the turning radius of the machine.
 - Be cognizant of blind spots to the rear and always check behind you before backing up.
6. Only operate the machine in a well-ventilated area to avoid poisoning from carbon monoxide, an odorless, colorless gas that is deadly.



7. Never remove any of the safety features on the machine.
 - Make sure all safety features, including guards, protective devices, doors, and cabin are functioning normally, properly secured, and in good condition. Repair and replace any lost or damaged protective features.
 - Carefully read the operator's manual in order to understand the proper use of safety features such as armrest, seat belt, and other equipment. Make sure you use them properly.
 - Make sure all safety features are in good operating condition and remove only when repair is needed.
8. To avoid injury, always keep hands and body inside the ROPS/FOPS (protective structures) whenever operating the machine. Never try to operate machine using control levers, pedal and switches from outside the operator's cabin while the machine is running.
9. Always keep the heavy end of the machine up when traveling up or down an incline to avoid any possibility of machine rolling over.
10. Place the bucket at a distance of 20 to 30 cm off the ground when moving up or down an incline. Be prepared to lower the bucket to the ground in case of emergency.
11. To avoid injury or accidents, always operate the machine or the equipment at slow speed when going up or down an incline by reducing the engine speed (rpm). Place the stroke of the left control (traveling) lever at half speed or less when going down an incline. Traveling too fast down an incline can cause the operator to lose control of the machine.

When going up or down an incline, keep the travel speed switch low speed position.
12. Avoid stopping suddenly on an incline, which can cause the machine to become unstable and rollover.
13. Never cross an incline horizontally or at an angle, which can cause the machine to rollover. Approach inclines vertically to avoid loss of control.
14. Take care when moving the machine in slippery or unstable surfaces such as grass, fallen leaves, metal plates, or ice, as it may skid out of control. Do not allow the machine to be oriented diagonally to such surfaces.
15. Watch where you are going at all times. Watch for and avoid obstacles. Remain alert for trees, wires and other obstructions.
16. Avoid any sudden movements while moving and operating the machine such as stopping, starting or turning. Do not raise armrests while the machine is in motion as this will cause the parking brake to engage and could cause an accident or injury.
17. Avoid driving the machine over any obstacles, which could cause loss of control. If an obstacle cannot be avoided, always place the bucket close to the ground and move slowly over the obstacle. Do not approach an obstacle at an angle, which could cause the machine to rollover.

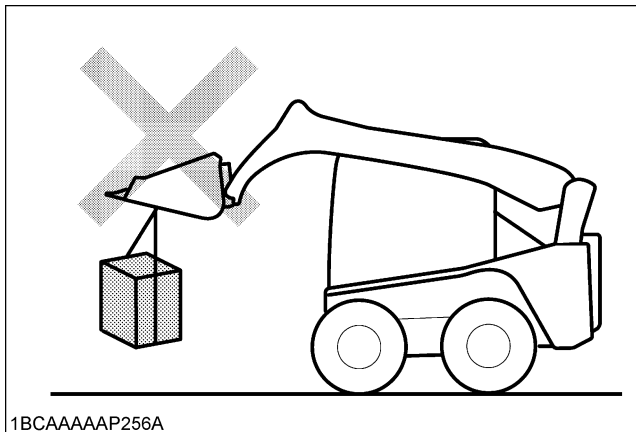
18. Avoid performing any work with the machine when it is on an incline, which could cause it to become unbalanced and rollover. Always take care when moving the machine on an incline. Always make sure the heavy end of the machine is facing up the incline when moving it up or down the incline.



19. Always use caution when floating the lift arms.
 - Always make sure the bucket is lowered to the ground before floating the lift arms. Floating the lift arms when the bucket is raised could cause an accident or injury from the bucket falling.
 - Never move forward when the lift arms are in the "float" position.
20. Never dig or shovel at high speed, which could cause the operator to be thrown from the operator's cabin or cause injury from hitting something when the machine stops suddenly. Always operate the machine at low speed, carefully checking the area in front of the load you will be moving.
21. Never operate the machine with the bucket raised over the heads of people. Accident or injury may occur from objects falling from the bucket or the bucket itself falling.
22. Beware of material falling from the bucket. Unstable material in the bucket such as round, cylindrical, or stacked items could fall from the bucket, causing injury. Always move an unstable load with the bucket lowered.
23. Any sudden movements of the machine such as lowering or stopping of the attachment may cause it to recoil and rollover. Pay particular attention when the bucket is loaded.
24. Never exceed the maximum loading capability of the bucket or put loads off-center of the bucket, which can cause the machine to become unstable and rollover.

▲-4 SAFE OPERATION

25. Never attempt to undercut a high embankment. Always carefully check the area for conditions that could cause the ground to cave-in.
- Never operate in areas where there is a possibility of falling rock.
 - Never attempt to operate or drive the machine on unstable surfaces such as cliffs, shoulder of roads, deep trenches, etc. The machine could lose stability from unstable ground or vibration underneath, causing it to rollover or fall.
 - (1) Ground surfaces are especially unstable after heavy rain or explosions.
 - (2) Embankments and trenches may cause instability of the ground around the area.
26. Always operate the machine at a safe, low speed, especially in congested or closed in areas where there is a danger of hitting or running into something. Pay close attention to obstructions
27. Pay particular attention when passing through tunnels or moving the machine near high walls to avoid hitting it and causing accident or injury. Always check height and width dimensions of the machine against tunnels or any other narrow spaces through which the machine is to be moved in order to avoid accident or injury from hitting an obstruction.
28. The machine is NOT designed for operation with hanging loads and has no safety features for such circumstances. Never operate in conjunction with a crane or other such device, which could cause serious injury.



◆ Safety for children

Tragedy can occur if the operator is not alert to the presence of children. Children generally are attracted to machines and the work they do.

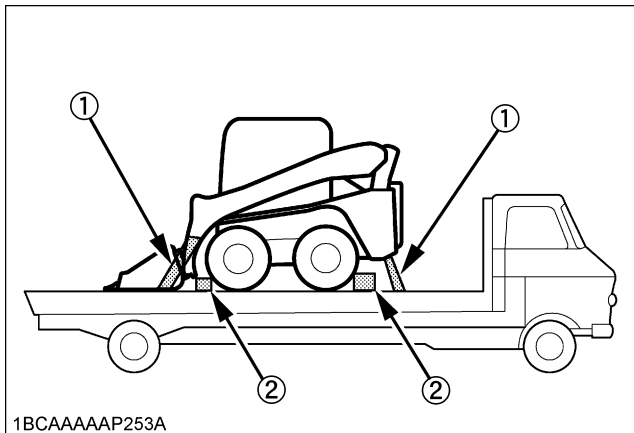
1. Never assume that children will remain where you last saw them.
2. Keep children out of the work area and under the watchful eye of another responsible adult.
3. Be alert and shut your machine down if children enter the work area.
4. Never carry children on your machine. There is not a safe place for them to ride. They may fall off and be run over or interfere with your control of the machine.
5. Never allow children to operate the machine even under adult supervision.
6. Never allow children to play on the machine or on the attachments.
7. Use extra caution when backing up. Look behind and down to make sure the area is clear before moving.

3. AFTER OPERATION

1. Before leaving the machine:
 - Park the machine on a firm, flat and level surface.
 - Stop the engine.
 - Lower the bucket and attachments to the ground.
 - Release the hydraulic pressure in the hydraulic system by operating the control levers. Lock all control levers in neutral.
 - Remove the key.

4. SAFE LOADING AND TRANSPORT OF THE MACHINE

1. Observe all regulations concerning the transport of the machine on public roads.
2. Use adequately long and robust ramps when loading the machine. Block the ramps and transport appropriately. If towing is required, use proper tow lines and attachment points. (for details, see "TRANSPORTING THE MACHINE" section)
3. To avoid tipping over, the heaviest end of the unit should proceed up the ramps first, do not change the running direction and do not swing the attachment crosswise to the loading ramps.
4. Lower the attachment on the loading bed and release the pressure from the hydraulic system. After loading the machine on the truck, secure the tires with blocks and tie down the machine at the appropriate locations.



- (1) Chain
(2) Block

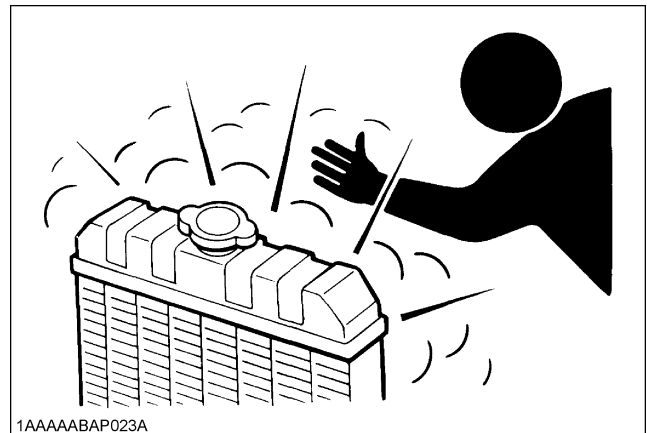
5. Avoid abrupt braking of the vehicle with the machine loaded. Sudden braking could cause the machine to move and could cause a serious accident.

5. MAINTENANCE

Before doing maintenance work on the machine, place the machine on a firm, flat and level surface, lower the lift arms slowly to the ground, stop the engine, remove the key.

When dismantling hydraulic parts, make sure that the hydraulic oil has cooled down sufficiently to avoid burns. Start maintenance work carefully, e.g. loosen the plug slowly so that oil will not squirt out.

1. Before working on the engine, the exhaust system, the radiator and the hydraulic system, let the machine cool down sufficiently.
2. Turn off the engine at all times when filling with fuel. Avoid spilling and over-filling of fuel.
3. Smoking is prohibited while refueling or handling the battery. Keep sparks and fire away from the fuel tank and battery. Flammable gases escape from the battery, especially during charging.
4. Read and follow the directions "STARTING WITH AN AUXILIARY BATTERY" in "OPERATION OF THE ENGINE" section, when starting with an auxiliary battery.
5. Keep a first-aid box and extinguisher at hand at all times.
6. Do not open the radiator cap before the radiator has cooled down sufficiently. First loosen the cap to the first stop and allow the system enough time to release the remaining pressure. Then loosen the cap completely.

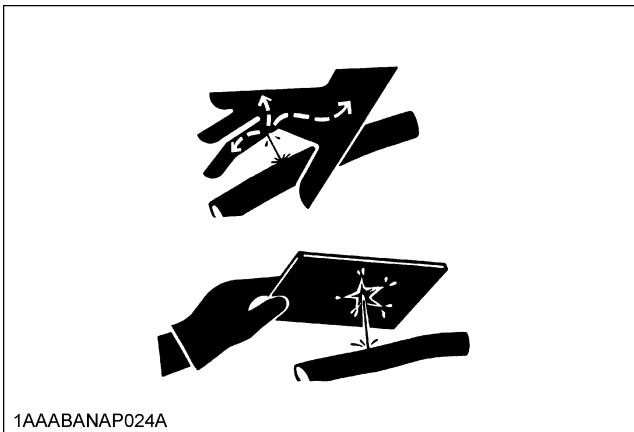


7. Failure to follow proper procedures when mounting a tire on a wheel or rim can produce an explosion which may result in serious injury or death. Do not attempt to mount a tire unless you have the proper equipment and experience to perform the job. When inflating the tire, use a self-holding chuck and a remotely-operable shut valve as well. Keep blowing up the tire away from it. Have it done by your KUBOTA dealer or a qualified tire repair service.

8. Always maintain the correct tire pressure. Do not inflate tires above the recommended pressure shown in the operator's manual.

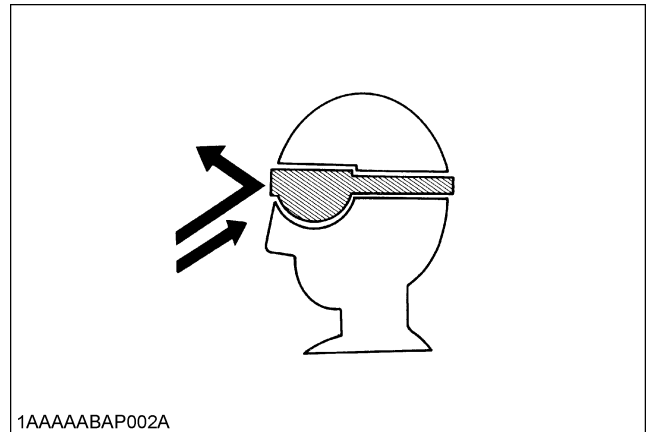


9. To avoid short-circuiting the battery, always remove the ground cable first and attach the positive cable first.
10. Oil under high pressure can penetrate the skin and may be harmful to your health if not treated immediately.
11. Leaking hydraulic fluid has enough pressure to penetrate the skin and cause serious injuries. Leakages from pinholes can be totally invisible. Do not use hands for checking for leaks. Always use a piece of wood or cardboard. It is strongly recommended to use a face mask or eye protection. Should injuries occur with leaking fluid, contact a doctor immediately. This fluid can cause gangrene or serious allergic reactions. Never repair the hydraulic and air-conditioner hoses until the pressure has been relieved.

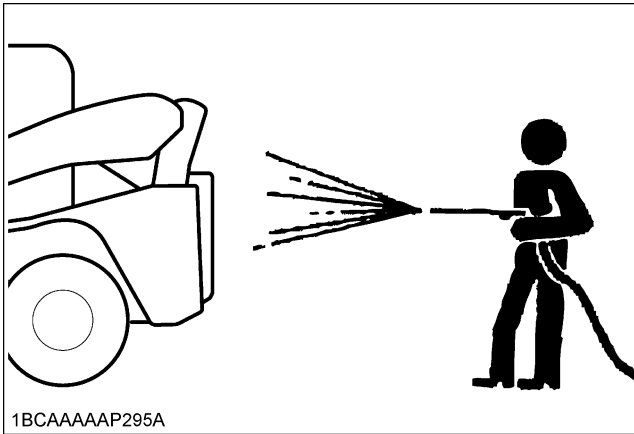


12. To avoid environmental damage from acid and heavy metals, dispose of the battery appropriately.
13. Observe all laws and regulations concerning the disposal of used oil, coolants, solvents, hydraulic fluids, battery acids and batteries.
14. To avoid fire, do not heat the hydraulic components (tanks, pipes, hoses, cylinders) before they have been drained and washed.

15. Use a face mask or eye protection to protect the eyes and respiratory system against dust and other foreign particles.

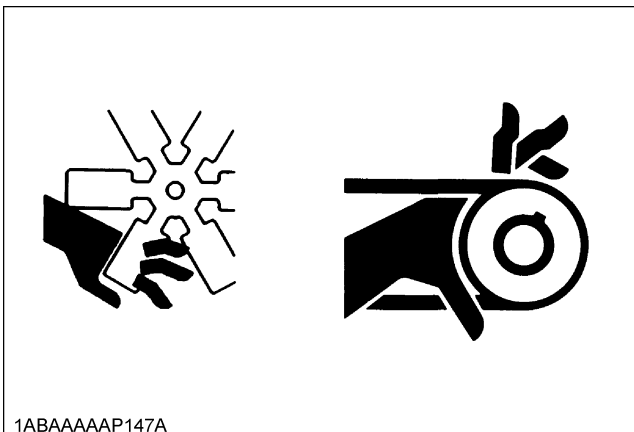


16. Securely support the machine with stands or suitable blocking before working underneath. For your safety, do not work under any hydraulically supported devices. They can settle, suddenly leak down, or be accidentally lowered.
17. Always attach a "DO NOT OPERATE" tag whenever performing any kind of maintenance or repair.
18. Make sure you have the proper tools on hand. Do not use defective or damaged tools, gauges, or other devices. Always use tools that are appropriate for the task to be done.
19. To prevent personal injury or death, be sure to use explosion-proof lighting when working on, inspecting or handling fuel, oil, coolant, battery fluid, etc. If the explosion-proof lighting is not used and should break, it can ignite and cause fire, injury or death.
20. Prohibit unauthorized persons from entering the work area to prevent injury caused by debris flying off of machine parts during grinding, welding, using a hammer or other such tasks.
21. Make sure work area is clear and safe. Be sure to work on a firm, level surface with adequate lighting. Work in well-ventilated area if indoors. Make sure the area is free from any potentially dangerous conditions such as obstacles, slippery surfaces, etc.
22. Be sure the machine is clean and free of debris.
- Always remove debris from the machine and clean it before performing any maintenance or repair work.
 - Before using water to wash or clean the machine, stop engine and make sure all electrical parts and devices are covered. Any water seepage into electrical wiring on the machine can cause a short circuit or malfunction of controls. Never wash the battery, sensors, connectors or operator's cabin with water or steam.



23. Always make sure the engine is stopped before performing any maintenance or repairs.

- Do not attempt to lubricate or make mechanical adjustments while the machine is in motion or while the engine is running even if stationary.
- Always stay clear of moving parts. Clothing, hands or other parts of the body can become caught in moving parts of the machine and cause personal injury or death.
- Make sure to avoid any rotating fans, V-belt and other such moving parts. Never insert tools, fingers, hands, etc. while these parts are running.

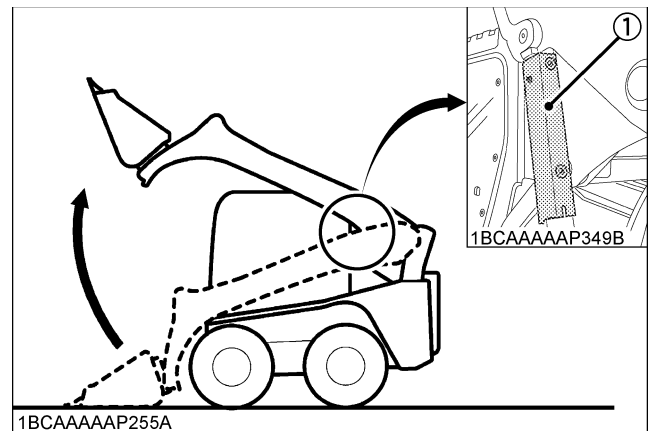


24. Be sure to place blocks around the machine and place protection where components could fall.

- Always make sure the bucket is at the lowest possible position or on the ground before performing any maintenance or repairs under the machine.
- Make sure the tires are securely blocked off.
- Whenever performing maintenance or repairs when the lift arms are raised, always use the lift arm stopper.
- Never do any work under a machine or work on it while it is hoisted on jack stands or other rigid support devices unless they are well secured and stable.

25. Make sure the raised lift arms are properly and securely blocked.

- Make sure the lift arm stopper is properly engaged before performing any work beneath raised lift arms. Never attempt to do any work or move under the lift arms when they are not properly supported.
- Keep in mind that the lift arms may fall whenever hydraulic lines are disconnected, loosened, or removed. Any malfunction or failure in the hydraulics can also cause lift arms to drop.
- Always perform the necessary repairs or service whenever the lift arm stopper becomes damaged or malfunctioned, or part(s) are missing. Damaged or malfunctioning lift arm stopper may cause the lift arms to fall causing personal injury or death.



(1) Lift arm stopper

26. Always secure the rear door after opening it. Avoid opening the rear door when the machine is on an incline or in strong winds.

27. Precaution on tilting the cabin.

- Do not raise or lower the cabin while the engine is running as it may move, cause the machine to become unstable, resulting in personal injury or death. Always lower the working parts of the machine to the ground and stop the engine before attempting to raise or lower the cabin.
- Make sure the cabin is properly and securely supported with a stopper when tilted to prevent it from falling and causing personal injury.

28. Use care when refueling.

- Never smoke cigarettes or permit the use of fire while refueling or in the vicinity of refueling.
- Always make sure the engine is off and cool before removing the fuel cap to refuel the tank. Avoid getting fuel on any hot components.
- Keep control of the fuel filler nozzle while refueling.
- Never overfill the tank with fuel. Leave room for thermal expansion.
- Always remove any excess or spilled fuel immediately.
- Always make sure the fuel tank cap is securely reinstalled. Replace the cap only with a manufacturer approved cap whenever it becomes damaged. Use of the wrong type of cap may not allow for proper venting, causing pressure in the tank to build up.
- Never use fuel to clean the machine.
- Always use the correct type of fuel for the machine and the temperature in which it is being operated.



29. Hoses

- Leakage in any fuel, oil or hydraulic line can cause fire or explosion.
- Avoid any twisting, bending or hitting of hoses that could cause damage to the line.
- Make sure any loose connections are secured properly before using the machine.

30. Fire prevention

Skid Steer Loader and some attachments have components that are at high temperatures under normal operating conditions. The primary source of high temperatures is the engine and exhaust system. The electrical system, if damaged or incorrectly maintained, can be a source of arcing or sparks.

The following fire prevention guidelines will help to keep your equipment up and running efficiently and keep the risk of fire to a minimum.

- Blow off all accumulated debris near hot engine exhaust components such as turbocharger and exhaust manifold as well as exhaust pipes and muffler more frequently when working in severe conditions.
- Clean out all accumulated flammable debris such as leaves, straw, pine needles, branches, bark, small wood chips and any other combustible materials from inside the machine belly pans or lower unit structures as well as from area in proximity to the engine.
- Inspect all fuel lines and hydraulic hoses for wear or for deterioration. Replace them immediately if they begin to leak.
- Examine electrical wiring and connectors frequently for damage. Repair any wires that are loose or frayed before operating the machine. Clean all electrical connections and tighten all electrical connections as necessary.
- Inspect the exhaust system daily for any signs of leakage. Check for broken pipes and muffler and also for loose or missing bolts, nuts and clamps. If any exhaust leaks or fractured parts are found, repairs must be completed prior to operation.
- Always keep a multipurpose fire extinguisher on or near the machine. Be familiar with the operation of the fire extinguisher.

31. Take care when working around hot and pressurized components.

- Always allow the engine to cool sufficiently before performing any maintenance, inspection or repairs.
- Never touch any parts such as the engine, muffler, radiator, hydraulic lines, sliding parts, etc. as they may be very hot immediately after the machine has been running and can cause burning. Allow these parts to cool sufficiently before touching.
- Always use sufficient care whenever removing the caps and plugs on the coolant, oil and hydraulic fluid as they are hot and pressurized and can cause burning and injury from spraying of hot fluid.



1AEABAAAP008A

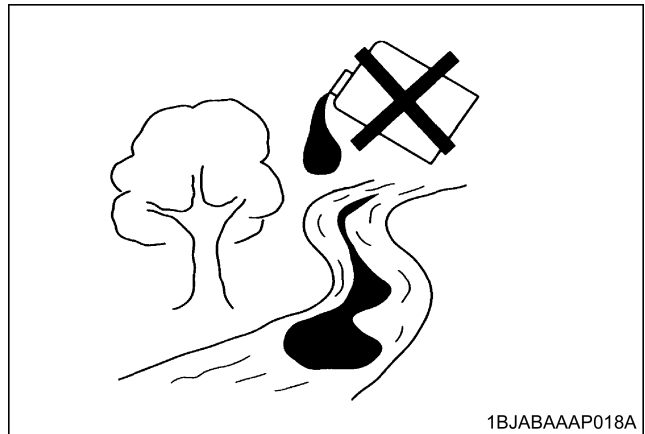
32. Make certain pressure from all of these systems is sufficiently released before performing any maintenance or repairs. Oil or other fluids could be released when caps or filters are removed before the pressure has been stabilized in the hydraulic system.

- Gradually release internal pressure build-up by standing out of the line of any possible spray and slowly removing plugs, screws or disconnect hoses.

33. Always carefully check the machine after performing any maintenance or repairs. Confirm that no oil, water, etc., is leaking from any parts that had been serviced by carefully inspecting the parts. Gradually speed up the engine from a low speed to higher speed to check operation.

34. Waste material

- Always make sure any material and waste products from the repair and maintenance of the machine are collected into proper containers using a funnel, or other device. Dispose of waste material properly to avoid pollution and contamination of the environment.
- Consult local regulations and codes when disposing of oil, fuel, engine coolant, refrigerant, solvents, filters, batteries, and any other potentially harmful and hazardous material or substance.



1BJABAAAP018A

35. To avoid the possibility of battery explosion, do not use or charge the refillable type battery if the fluid level is below the LOWER (lower limit level) mark. Check the fluid level regularly and add distilled water as required so that the fluid level is between the UPPER and LOWER levels.

36. To avoid sparks from an accidental short circuit, always disconnect the battery's ground cable (-) first and reconnect it last.

37. Do not open high-pressure fuel system. High-pressure fluid remaining in fuel lines can cause serious injury. Do not disconnect nor attempt to repair fuel lines, sensors, or any other components between the high-pressure fuel pump and injectors on engines with high-pressure common rail fuel system.

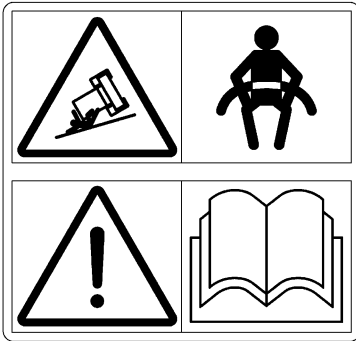
38. To avoid hazardous high voltage, turn the key switch to the OFF position if it is necessary to check to repair the computer, harness or connectors.

39. When the Diesel Particulate Filter (DPF) is in the regenerating cycle, the exhaust gas and the DPF muffler become hot. During regeneration, take into account that the muffler will be very hot and keep the machine away from other people, animals, plants, and flammable material. Also keep the area near the DPF muffler clean and away from flammable material.

40. The DPF-regeneration-caused exhaust gas may adversely affect people, animals and plants. Before this action, look around the machine for added safety.

6. DANGER, WARNING AND CAUTION LABELS

(1) Part No. V1311-5732-2



Do not operate without seat belt. You could crash. Use the seat belt.

Read and understand Operator's Manual before operating this machine.

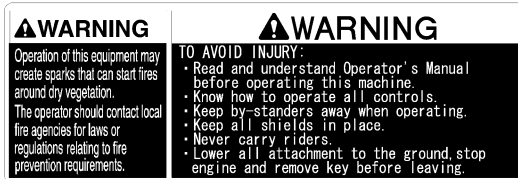
1BCAAAAAP307A

(2) Part No. V1311-5772-2



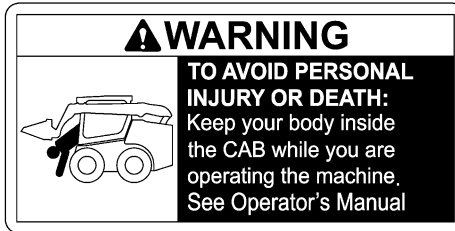
1BCAAAAAP305A

(3) Part No. V1311-5731-1



1BCAAAAAP414A

(4) Part No. V1311-5735-1



1BCAAAAAP303A

(5) Part No. V1311-5740-1



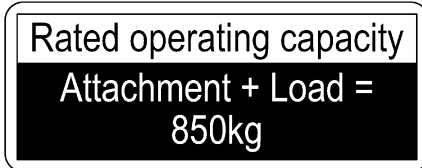
1BCAAAAAP304A

(6) Part No. V1311-5768-2



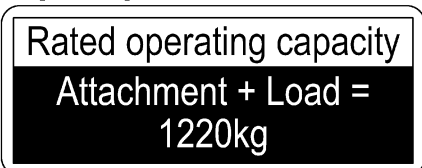
1BCAAAAAP405A

(7) [SSV65] Part No. V1312-5732-1

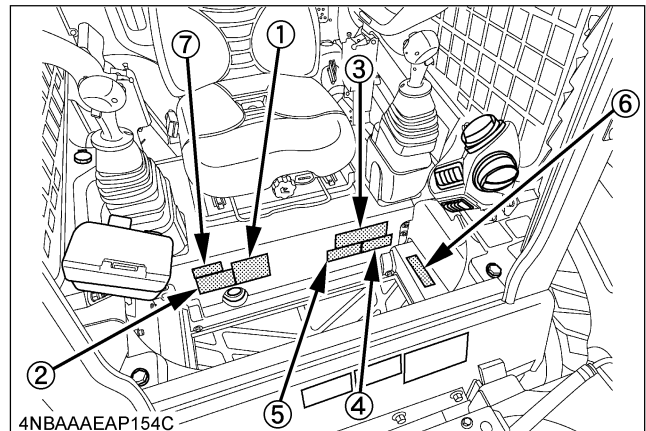


1BCAAACAP081C

(7) [SSV75] Part No. V1412-5732-1



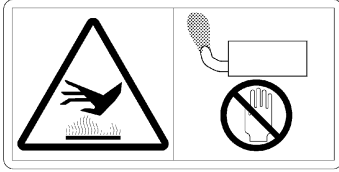
1BCAAACAP081D



4NBAAAEAP154C

(1) Part No. V0511-5738-1

Do not touch hot parts such as exhaust etc.



1BCAAAAAP072E

(2) Part No. V1311-5763-1



1BCAAAAAP315A

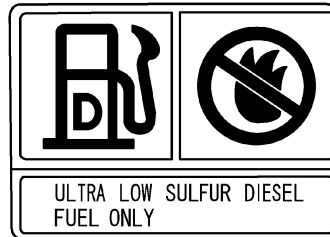
(3) Part No. TC660-9861-1



1AGAHAKAP051A

(4) Part No. RD358-5736-1

Diesel fuel only No fire



1BAAGAAP1810

(5) Part No. V1311-5741-1



1BCAAAAAP309A

(6) Part No. RC488-5714-1

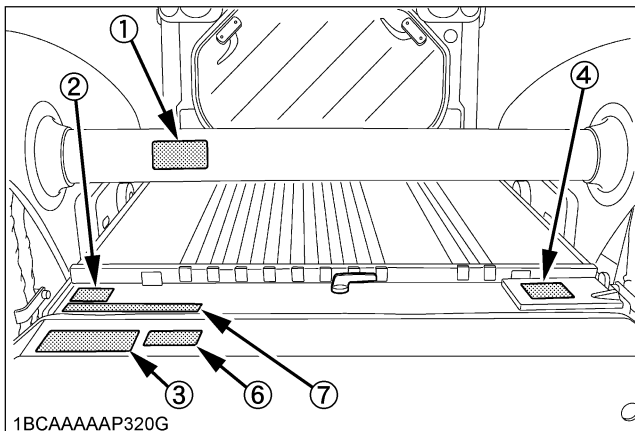


1BAAACGAP009A

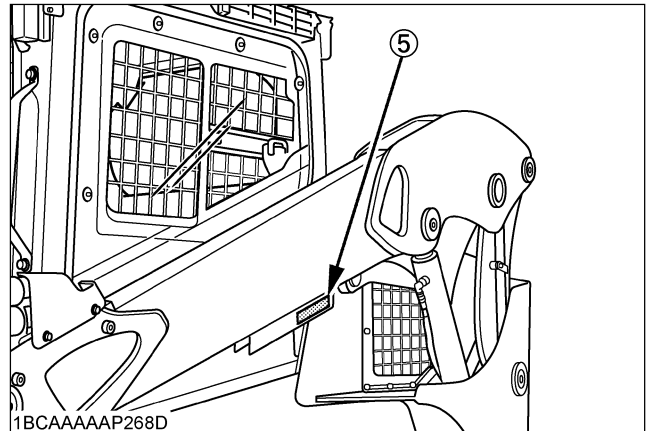
(7) Part No. V0512-5723-1



1BCAAAAAP244A

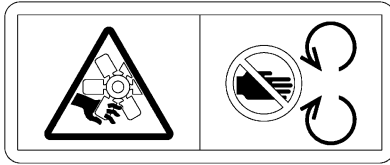


1BCAAAAAP320G



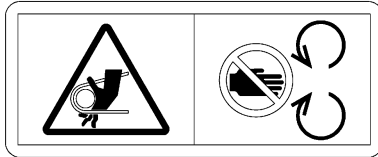
1BCAAAAAP268D

(1) Part No. V1311-5739-2
Keep away from fan.



1BCAAAAAP310A

(3) Part No. V1311-5769-2
Keep away from fan belt.



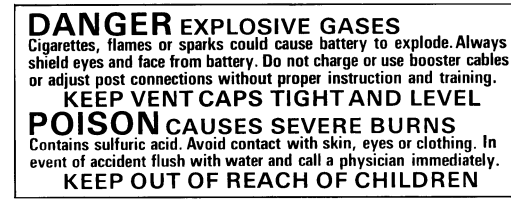
1BCAAAAAP312A

(5) Part No. V1311-5744-1



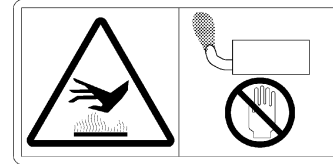
1BCAAAAAP415A

(2) Part No. 6C040-5559-1



1BAAGAAP0360

(4) Part No. V0621-5748-1
Do not touch hot parts such as exhaust etc.



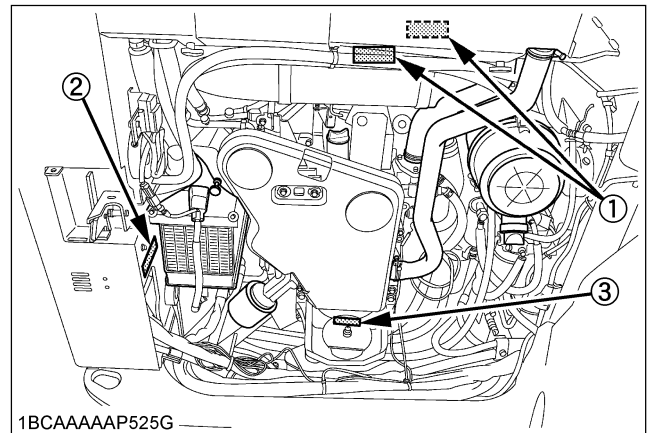
1BCAAAAAP072E

(6) Part No. V1311-5748-1

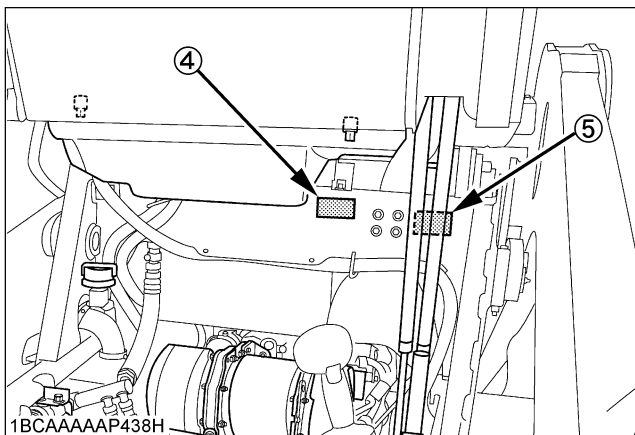


Do not open the cap when the radiator is hot.

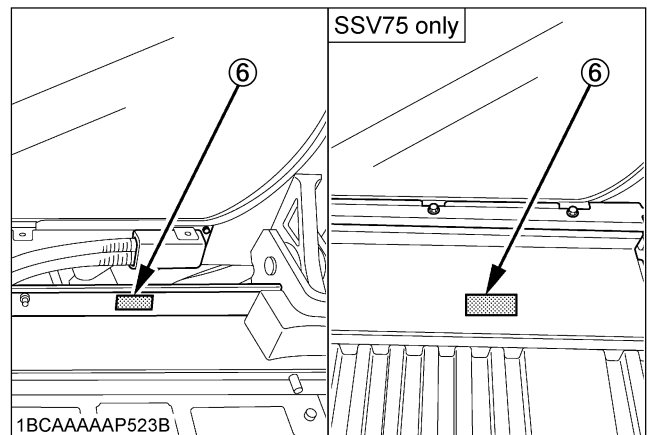
1BCAAAAAP311A



1BCAAAAAP525G

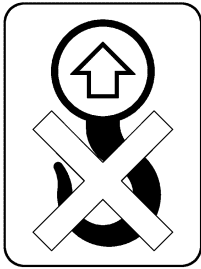


1BCAAAAAP438H



1BCAAAAAP523B

(1) Part No. RB419-5796-2



Forbidden lift point

1BAABAUAP2720

(2) Part No. V0512-5701-1 [Both sides]



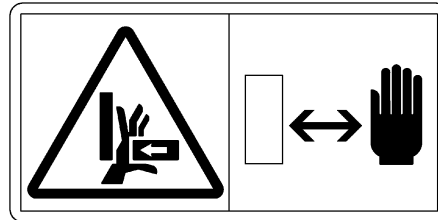
1BCAAAAAP245E

(3) Part No. V0512-5722-1 [Both sides]

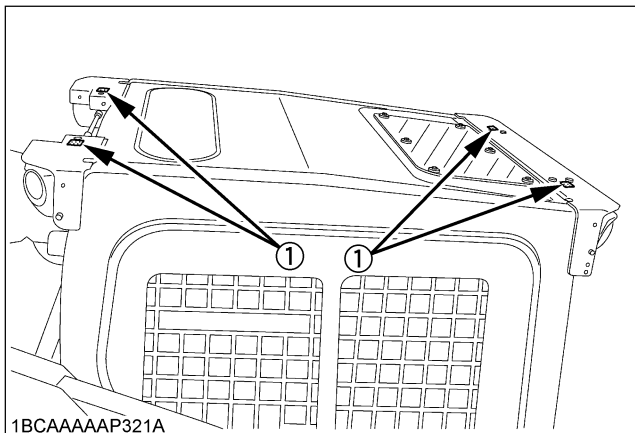


1BCAAAAAP246A

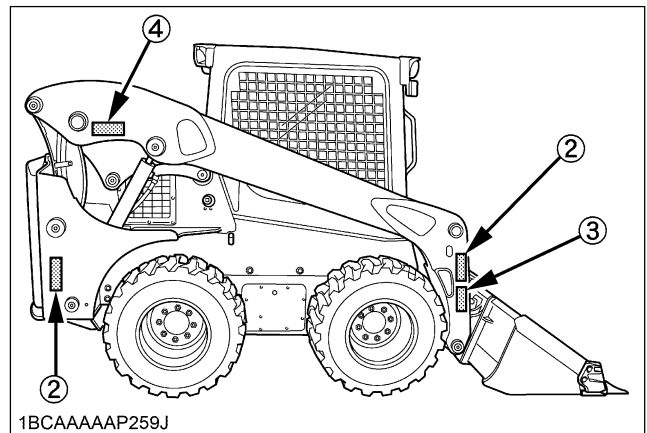
(4) Part No. V1311-5734-1 [Both sides]
Do not allow hands within the working range.



1BCAAAAAP308A



1BCAAAAAP321A



1BCAAAAAP259J

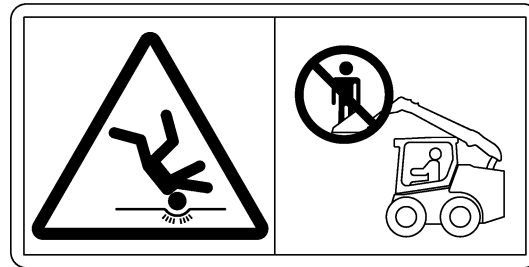
(1) Part No. V1311-5736-2



1BCAAAAP369A

(2) Part No. V1311-5737-1

Do not allow any persons on the bucket.



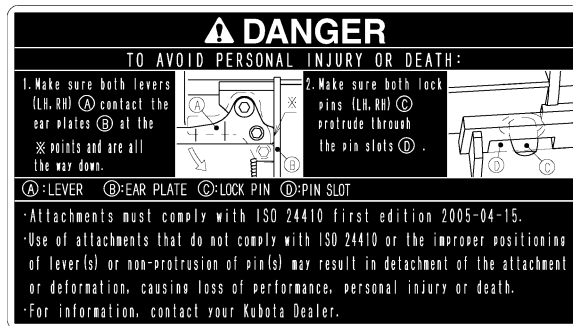
1BCAAAAP313A

(3) Part No. V1312-5714-1



1BCAAAAP451A

(4) Part No. V0511-5742-1

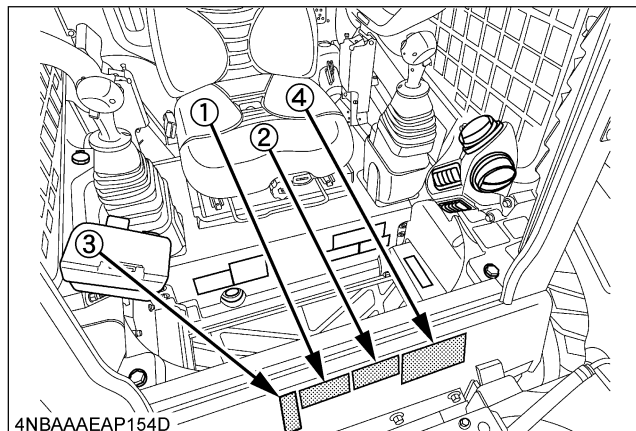


1BCAAAAP135E

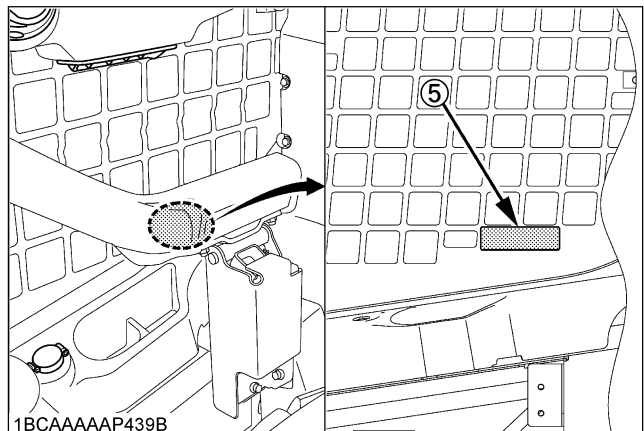
(5) Part No. V1311-5771-3



1BCAAAAP306A

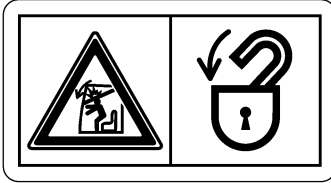


4NBAAAAP154D



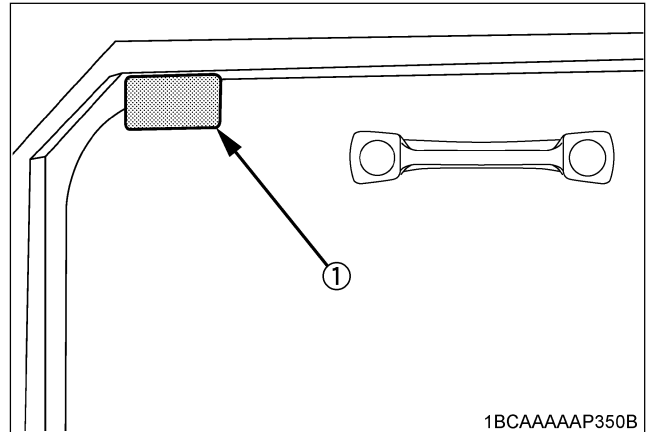
1BCAAAAP439B

(1) Part No. RB419-5793-2 (Closed cab model)



After opening, lock in place by moving both lock pins to outside to prevent door from inadvertently falling.

1BAAAABYAP158E



1BCAAAAAP350B

(2) Part No. V1311-5745-2 (Closed cab model)

▲ WARNING

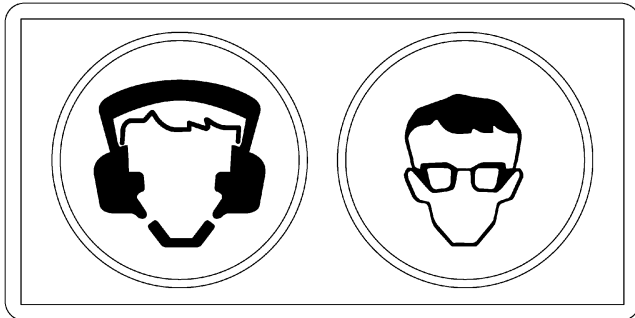
TO AVOID PERSONAL INJURY OR DEATH: Use warning and both hands to open / close the door to avoid contact with your head. After opening, lock in place by moving both lock pins to outside to prevent door from inadvertently falling.

1BCAAAAAP316A

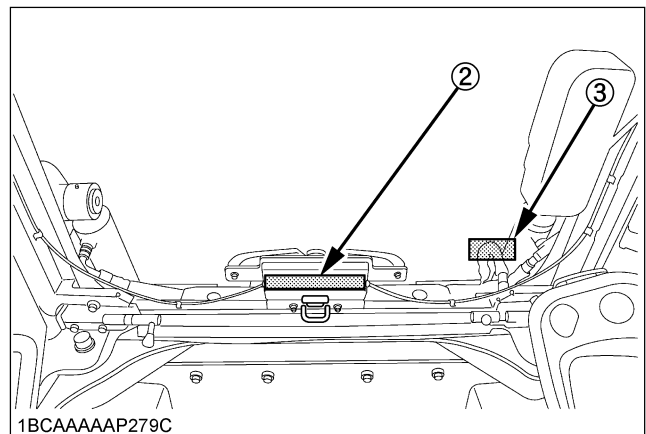
(3) Part No. V0512-5713-1

Wear ear muffs, ear plugs or other protective ear pieces.

Wear eye protection or a face mask.




1BCAAAAAP394B



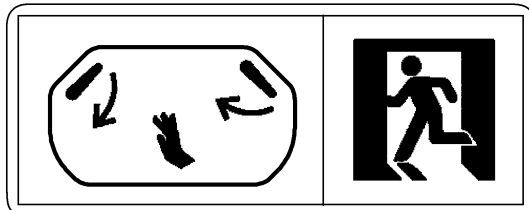
1BCAAAAAP279C

(1) Part No. V0512-5731-1

 WARNING	<p style="text-align: center; margin: 0;">TO AVOID PERSONAL INJURY:</p> <ol style="list-style-type: none"> 1. Read and understand operator's manual before attempting to start or operate the loader. 2. Before starting engine, make sure all control levers are in neutral and the operating area is clear of all bystanders. 3. Never allow passengers on any part of the loader while operating. 4. Know your work area before starting operation; <ul style="list-style-type: none"> • Check underground lines and cables. • Check overhead clearance with electric wires. • Check for hidden holes, obstacles or drop-offs and overhangs. • Stay off slopes too steep for safe operation. 5. Make sure all shields are in place and securely fastened. 6. Before dismounting from the machine, lower all attachments to the ground, stop the engine and remove the key. 7. Damaged ROPS must be replaced, not repaired or revised.
	<p>IMPORTANT Never use the bucket or attachments to push sideways. The loader is not intended for these usages.</p>

1BCAAAAAP243A

(2) Part No. V1311-5754-1

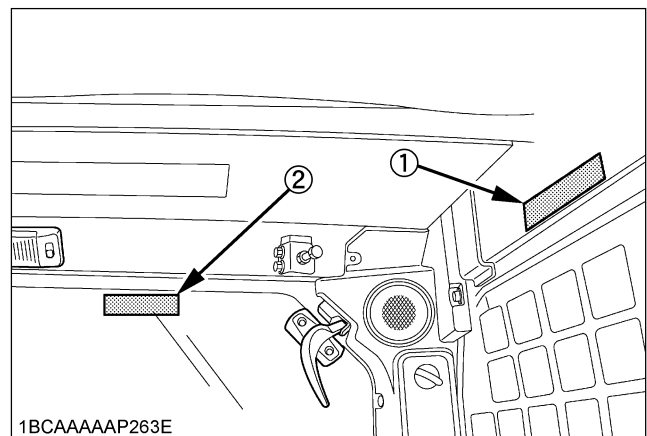


1BCAAAAAP317A

■ Emergency Exit

If you should become trapped in the cab, you can open the rear window to get out.

1. This window is equipped with latches.
2. Turn both latches clockwise until they disengage from the window frame.
3. Push the rear window out of the rear of the operator cab.
4. Exit through the rear of the operator cab.



1BCAAAAAP263E

7. CARE OF DANGER, WARNING AND CAUTION LABELS

1. Keep danger, warning and caution labels clean and free from obstructing material.
2. Clean danger, warning and caution labels with soap and water, and dry with a soft cloth.
3. Replace damaged or missing danger, warning and caution labels with new labels from your KUBOTA dealer.
4. If a component with danger, warning and caution label(s) affixed is replaced with new part, make sure new label(s) is (are) attached in the same location(s) as the replaced component.
5. Mount new danger, warning and caution labels by applying on a clean dry surface and pressing any bubbles to outside edge.

DEALER SERVICE

Your KUBOTA dealer is always ready to help so that your machine offers the best performance. After having carefully read these instructions, you will realize that much of the routine maintenance can be done by yourself. Your KUBOTA dealer is responsible for servicing and the delivery of spare parts. When ordering spare parts from your KUBOTA dealer, always mention the product identification number of the machine and the serial number of the engine.

Note these numbers right away in the supplied lines.

Machine		
Product identification number		
Dealer's name (To be filled in through the owner)		
Date of purchase		
	Model	Serial No.
Engine		

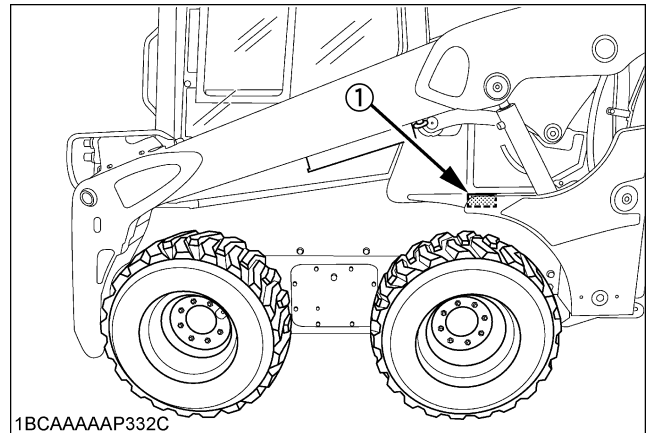
◆ **Warranty policy**

This product is warranted under the KUBOTA Limited Express Warranty, a copy of which may be obtained from your selling dealer. No warranty shall, however, apply if the product has not been handled according to the instruction given in the Operator's Manual even it is within the warranty period.

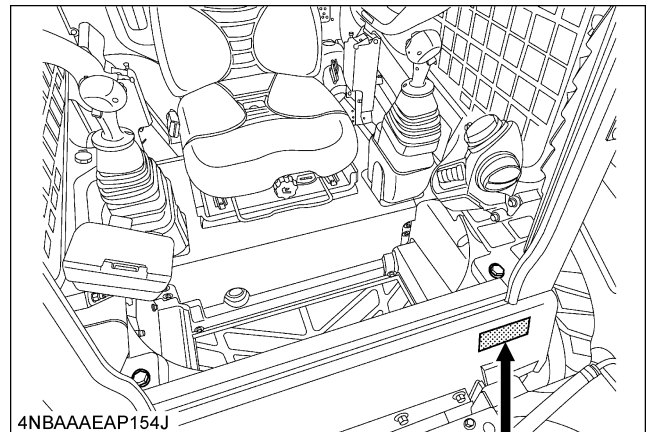
The Product(s) described in this Operator's Manual are designed and manufactured only for the country in which they are initially wholesaled by KUBOTA or one of its affiliated companies. Neither KUBOTA Corporation nor its affiliated companies provide warranty for any Product which is re-sold or retailed in any country other than the country for which the Product(s) were designed or manufactured.

◆ **Scrapping the product and its procedure**

To put the product out of service, correctly follow the local rules and regulations of the country or territory where you reside. If you have questions, consult your local KUBOTA Dealer.



(1) Product identification number



KUBOTA Corporation

2-47, Shikitsuhigashi 1-Chome Naniwa-ku, Osaka, 556-8601 JAPAN

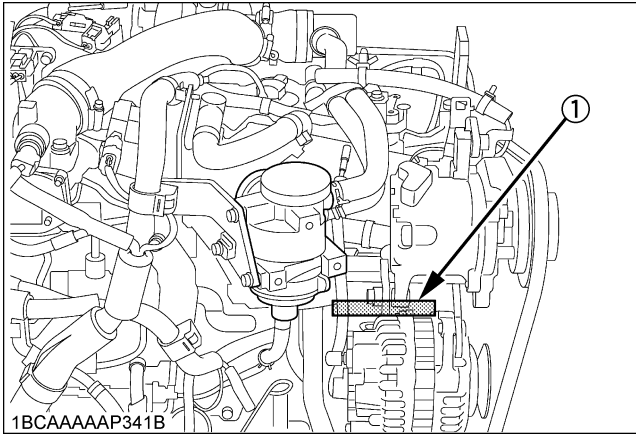
MODEL

PRODUCT IDENTIFICATION NUMBER

ENGINE No.

1BAAABSAP1490





(1) Engine serial No.

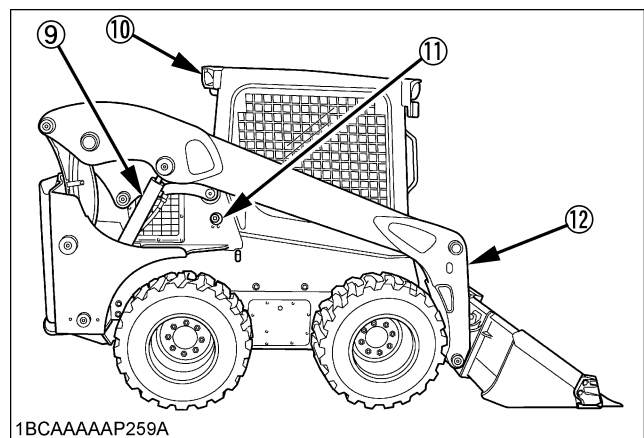
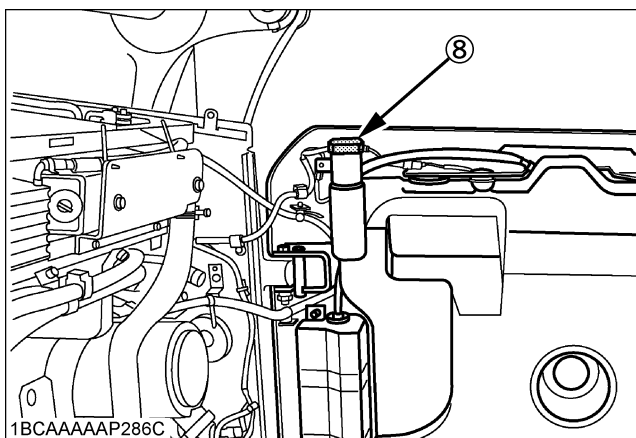
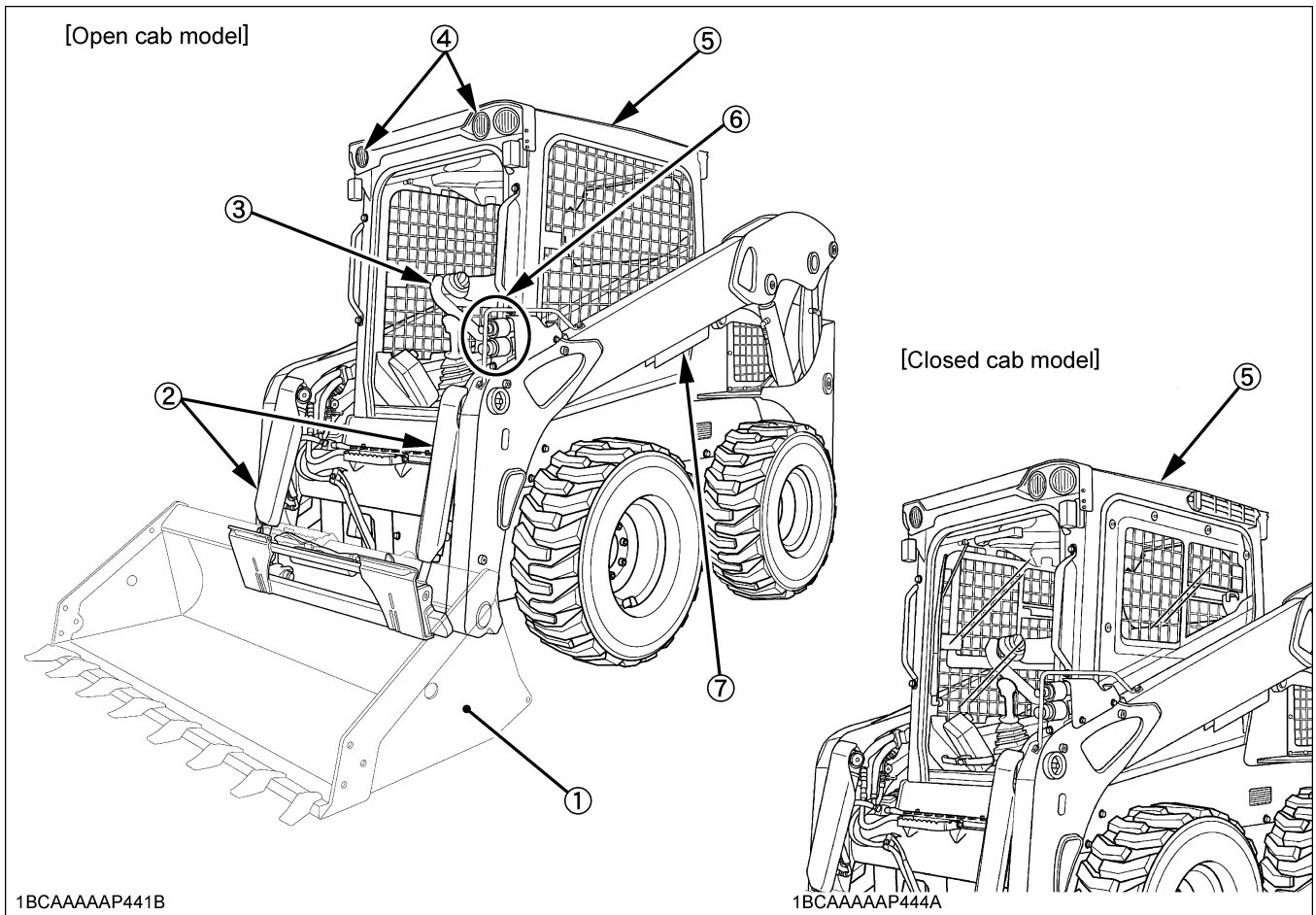
TECHNICAL DATA

		KUBOTA SSL (Skid Steer Loader)				
Model name		SSV65		SSV75		
Type		Open Cab	Closed Cab	Open Cab	Closed Cab	
Operating weight (including operator's weight) kg		3080	3200	3700	3820	
Engine	Type	Water cooled 4 cycle diesel engine with 4 cylinder EPA Tier 4				
	Model name	V2607-CR-TE4		V3307-CR-TE4		
	Total displacement	cc		2615	3331	
	Engine power	SAE J1995 gross kW (Hp)	47.7 (64.0)		55.4 (74.3)	
		SAE J1349 net kW (Hp)	45.7 (61.3)		53.4 (71.6)	
	Rated speed	rpm		2700	2600	
	Low idling speed	rpm		1250	1250	
Performance	Rated operating capacity	kg		885	1220	
	Tipping load	kg		1770	2440	
	Breakout force	Bucket	kg		2195	2669
		Lift arm	kg		1750	2200
	Travel speed	Fast	km/h		17.8	19.0
		Slow	km/h		11.1	11.9
Battery capacity		12V RC : 160 min, CCA 900A				
Pressure connection for attachments	Max. displacement (Theoretical) L/min	Standard Flow	High-Flow	Standard Flow	High-Flow	
	Max. pressure Mpa (kgf/cm ²)	68	106	79	115	
Fuel tank capacity		L		96	102	

NOTE :

- Specifications subject to change without notice.

DESCRIPTION OF MACHINE PARTS

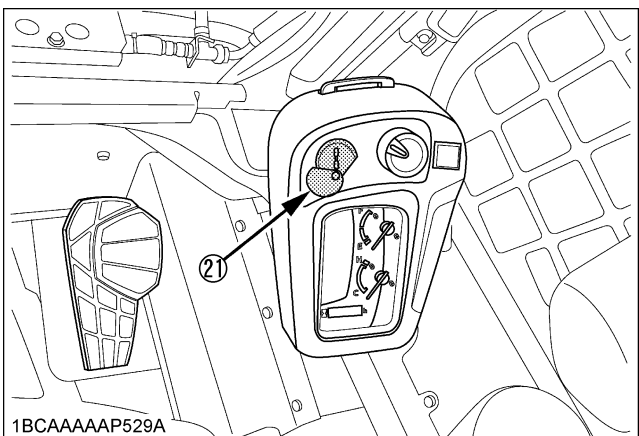
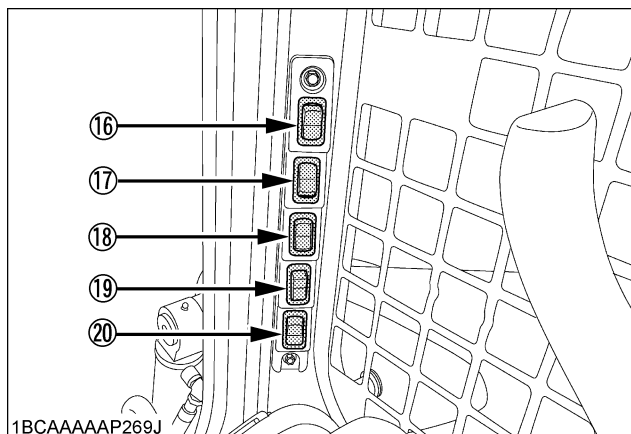
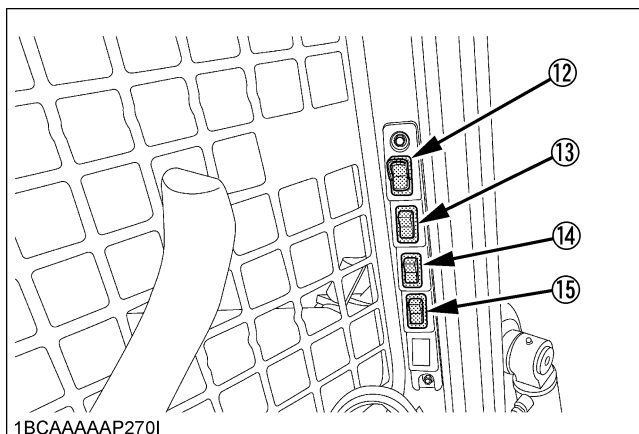
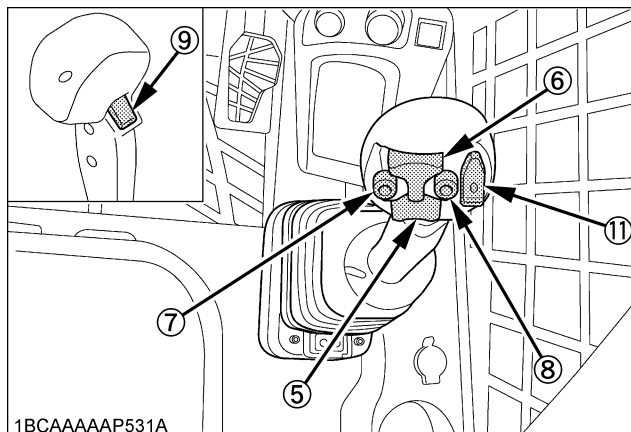
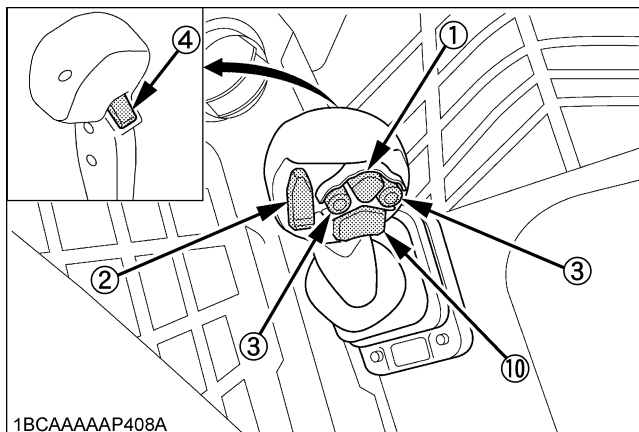


DEPICTED CONTENTS

- | | | | |
|-------------------|---------------------------------|-----------------------|-------------------------|
| (1) Bucket | (4) Front working light | (7) Lift arm stopper | (10) Rear working light |
| (2) Tilt cylinder | (5) Cab (Open cab / Closed cab) | (8) Fuel tank cap | (11) Hydraulic tank cap |
| (3) Armrest | (6) AUX supply port | (9) Lift arm cylinder | (12) Lift arm |

INSTRUMENT PANEL AND CONTROL ELEMENTS

■ Switch



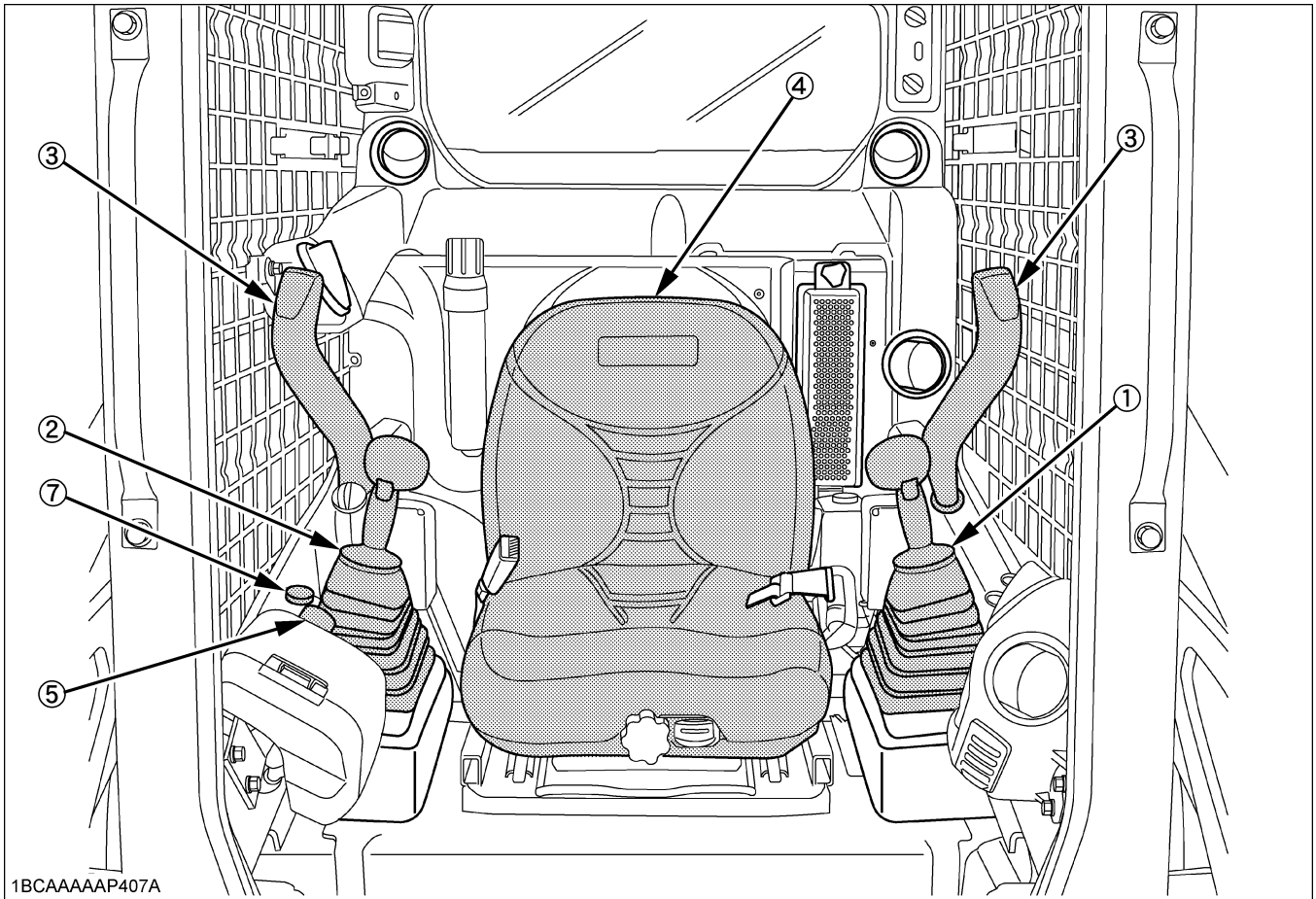
DEPICTED CONTENTS

- (1) Horn switch
- (2) Ride control switch (Option)
- (3) AUX electrical control switch
- (4) Travel speed switch
- (5) AUX electrical control switch
- (6) AUX port variable switch
- (7) AUX hold switch (Left)
- (8) AUX hold switch (Right)
- (9) Float switch
- (12) Hydraulic quick-hitch switch (Option)
- (13) Hydraulic bucket positioning switch (Option)
- (14) Wiper / washer switch (Closed cab model only)
- (15) Four-way flasher switch (Option)
- (16) Hydraulic unlock switch
- (17) Parking brake switch
- (18) AUX port switch
- (19) Working light switch
- (20) Inhibit switch
- (21) Starter switch

[Multi Function model only]

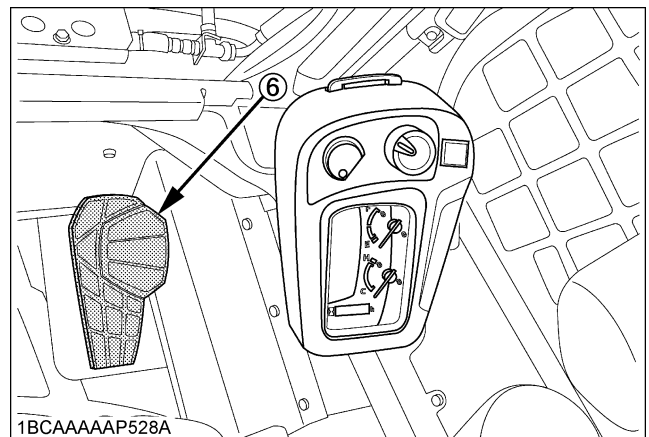
- (10) AUX electrical control switch
/ Turn signal switch (Option)
- (11) AUX electrical mode change switch

■ Control Pedals, Levers and Electrical Outlet

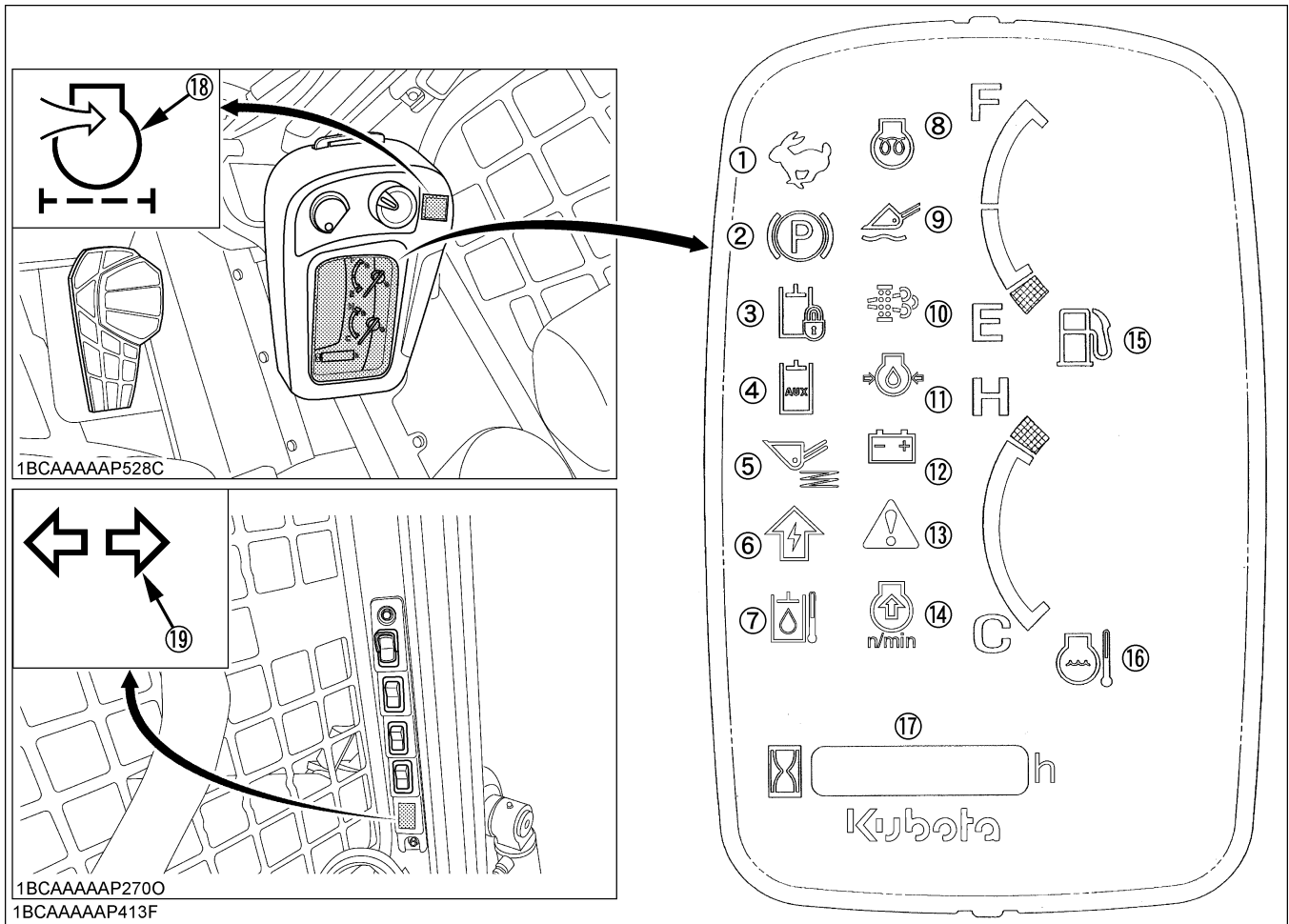


DEPICTED CONTENTS

- (1) Left control (traveling) lever
- (2) Right control (front operating) lever
- (3) Armrest
- (4) Seat
- (5) Engine speed control dial
- (6) Accelerator pedal
- (7) Electrical outlet




■ Instrument Panel



DEPICTED CONTENTS

- | | |
|--|---|
| (1) Speed indicator lamp | (11) Engine oil pressure warning lamp |
| (2) Parking brake lamp | (12) Battery charge lamp |
| (3) Hydraulic lock lamp | (13) Warning lamp |
| (4) AUX operation lamp | (14) Engine rev up warning lamp |
| (5) Ride control (KSR) lamp | (15) Fuel gauge indicator & Remaining fuel warning lamp |
| (6) AUX electrical mode change lamp | (16) Coolant temperature gauge & Coolant temperature warning lamp |
| (7) Hydraulic oil temperature warning lamp | (17) Hour meter & Error code number |
| (8) Glow plug lamp | (18) Air cleaner warning indicator |
| (9) Floating lamp | (19) Turn signal indicator (Option) |
| (10) DPF regeneration indicator | |

NOTE :

- Error code indicates  and number. (For detail, refer to "List of Error Code Numbers" in "TROUBLESHOOTING" section.)

CHECKS BEFORE START

DAILY CHECKS

In order to avoid damage, it is important to check the condition of the machine before starting.



WARNING

To avoid personal injury or death:

- Do maintenance work on the machine only on level ground with the engine off and armrest in the "Raised" position.

Checks

- Go around the machine and check for visual damage and wear.
- Check coolant level. (See "DAILY CHECKS" in "MAINTENANCE" section.)
- Check fuel level.
- Check engine oil level.
- Check hydraulic fluid level.
- Check air cleaner warning indicator. (See "DAILY CHECKS" in "MAINTENANCE" section).
- Check all control lamps, indicators and hour meter.
- Check the seat belt and the ROPS/FOPS safety device.
- Check Diesel Particulate Filter (DPF) muffler.
- Check the condition of the safety and warning labels. (See "DANGER, WARNING AND CAUTION LABELS" in "SAFE OPERATION" section.)

CHECKING THE SWITCHES

Hydraulic Unlock Switch



WARNING

To avoid personal injury or death:

- Do not operate the left control (traveling) lever, immediately after the hydraulic unlock switch is unlocked.

Parking brake is still engaged for a short time.

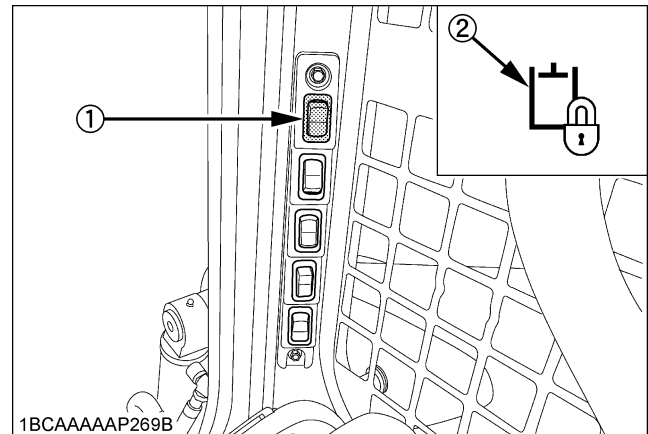
The hydraulic unlock switch enables the hydraulic system. The switch is intended to get the hydraulic system (travelling and attachments) ready for use, but does not have the locking function.

To unlock the hydraulic system, the following requirements are needed:

- (1) The engine is running.
- (2) The armrests are down.
- (3) The operator is seated on the operator's seat.

When the hydraulic system has been unlocked, the hydraulic lock lamp on the instrument panel disappears.

If any of the above conditions is not met, the hydraulic system stays locked.



- (1) Hydraulic unlock switch
(2) Hydraulic lock lamp

OPC Switch

This switch is used to detect the operator sitting on the seat and to signal the hydraulic system that it can be locked and unlocked.

When the operator sits on the seat, the OPC switch is ON, the hydraulic system can be unlocked.

When the hydraulic system is unlocked and the operator leaves the seat for up to 3 seconds, the OPC switch turns off. Now the hydraulic system is locked.

■ Parking Brake Switch



WARNING

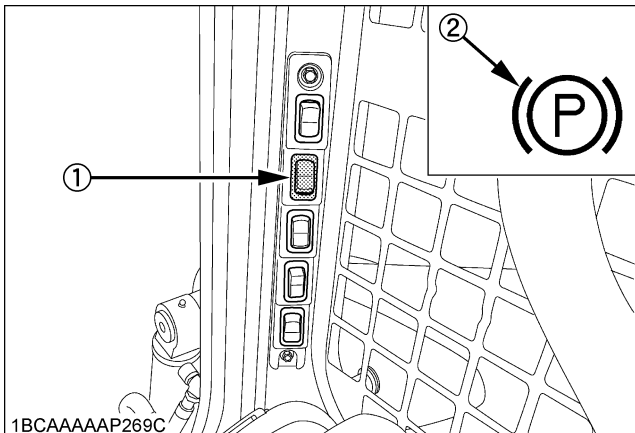
To avoid personal injury or death:

- When dismantling the machine or when servicing or hauling, be sure to apply the parking brake.
- Do not operate the left control (traveling) lever, immediately after the parking brake switch is unlocked.

Parking brake is still engaged for a short time.

The parking brake is to be used when parking the machine.

1. When the parking brake switch is pressed on "(P)" marked side (the upper side), the parking brake is applied and the "(P)" mark on the instrument panel lights up.
2. When the switch is pressed on the lower side, the parking brake is released and the "(P)" mark on the instrument panel lights off.



- (1) Parking brake switch
(2) Parking brake lamp

NOTE :

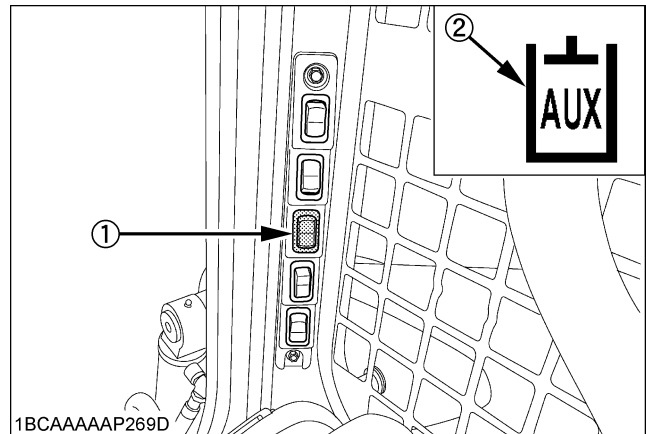
- Suppose that the parking brake switch is ON ("(P)" marked side depressed). Even if the hydraulic system gets unlocked, the travel system remains out of service and the brakes are still applied.

When the hydraulic system has been locked, the travel system is locked and the parking brake engages.

■ AUX Port Switch

This switch is used to enable the AUX port.

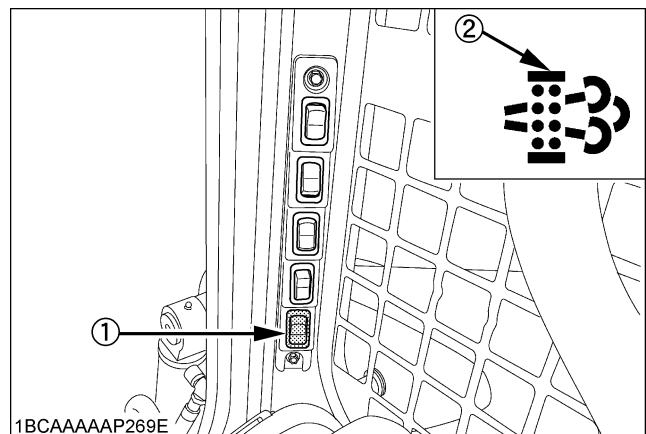
Press the switch once, and the AUX port is unlocked and the "AUX" mark on the instrument panel lights up. By pressing the switch again, the AUX port now gets locked. The AUX port switch can be used only when the AUX port variable switch on the right control lever is in the neutral position.



- (1) AUX port switch
(2) AUX operation lamp

■ Inhibit Diesel Particulate Filter (DPF) Regeneration Switch

Inhibit Diesel Particulate Filter (DPF) regeneration switch (hereinafter called inhibit switch) disables the Auto DPF regeneration cycle. Activate this switch to turn "off" Auto DPF Regeneration when working around people, animals, plants, and flammable materials. Certain work conditions may require the Auto DPF regeneration cycle to be disabled. Depress the switch once to turn off Automatic mode. Depress the switch once again to return from disable to Automatic mode.



- (1) Inhibit Switch
(2) DPF regeneration indicator

■ AUX Port Switch (High-Flow model only)



WARNING

[High-Flow model only]

To avoid personal injury or death:

- Be careful not to use any High-Flow-incompatible attachment in the High-Flow mode. Otherwise the attachment may be damaged.

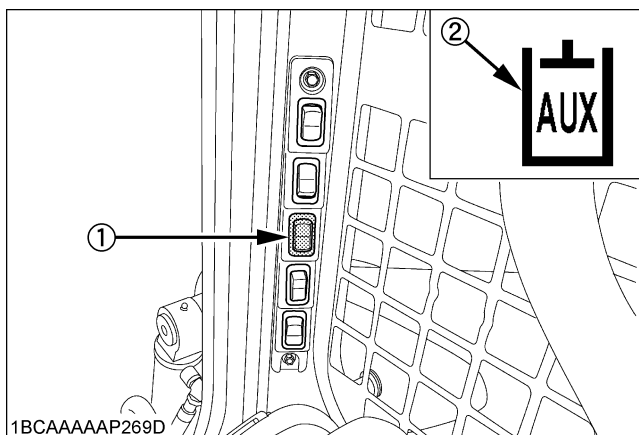
This switch is used to enable the AUX port and also to enable the High-Flow mode.

◆ Engaging and Disengaging the AUX Hydraulic Low-Flow Mode System

- (1) To turn ON the AUX Hydraulic Low-Flow port, press the "AUX" side of the AUX port switch one time. On the instrument panel, the "AUX" symbol will appear.
- (2) To turn OFF the AUX Hydraulic Low-Flow port, press the "AUX" side of the AUX port switch again to deactivate.

◆ Engaging and Disengaging the AUX Hydraulic High-Flow Mode System

- (1) To turn ON the AUX Hydraulic High-Flow port, press the "AUX" side of the AUX port switch one time. On the instrument panel, the "AUX" symbol will blink.
- (2) To turn OFF the AUX Hydraulic High-flow port, press the "AUX" side of the AUX port switch again to deactivate.

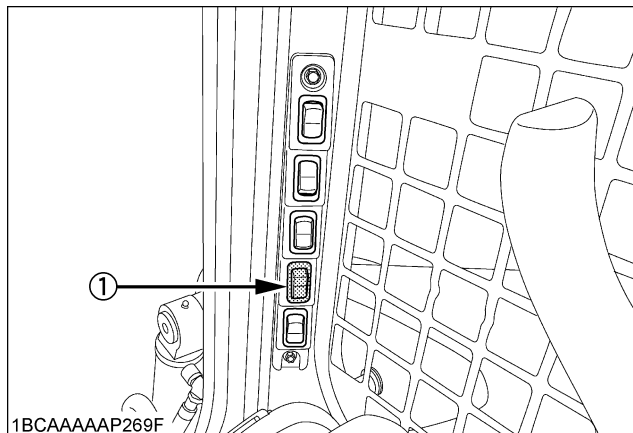


(1) AUX port switch (High-Flow model only)
(2) AUX operation lamp

■ Working Light Switch

This switch is operative with the starter key in the ON position.

The switch has 3 positions. When positioned on the lower side, the lights stay off. Move the switch to the middle position to turn on the front working light, the front corner lights, and the rear tail lights. Position the switch to the upper side to turn on both the front working lights, the front corner lights, the rear tail lights, and the rear working lights.



(1) Working light switch

◆ Night operation



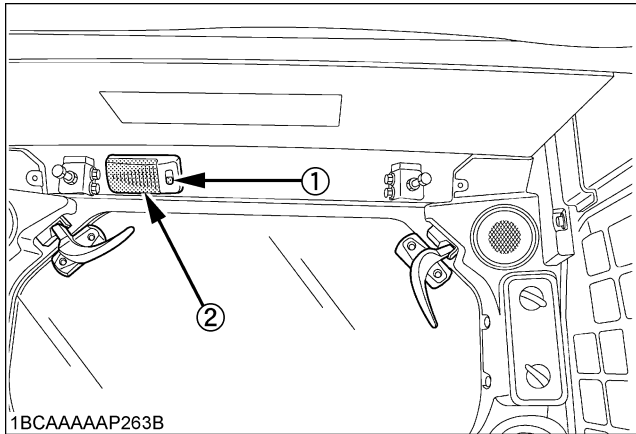
WARNING

To avoid personal injury or death:

- Visibility is reduced in darkness, therefore, in the event, the working light alone does not provide sufficient visibility. Prepare additional stationary artificial lighting, observe all safety rules and any special regulations for night work.

Interior Lamp Switch

The interior lamp is operative when the starter key is in the "RUN" position.





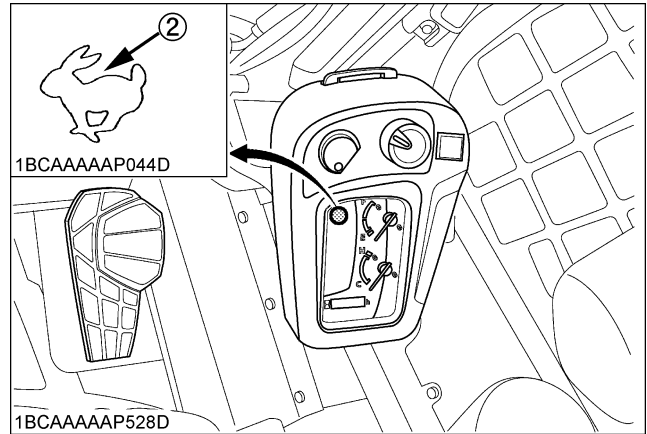
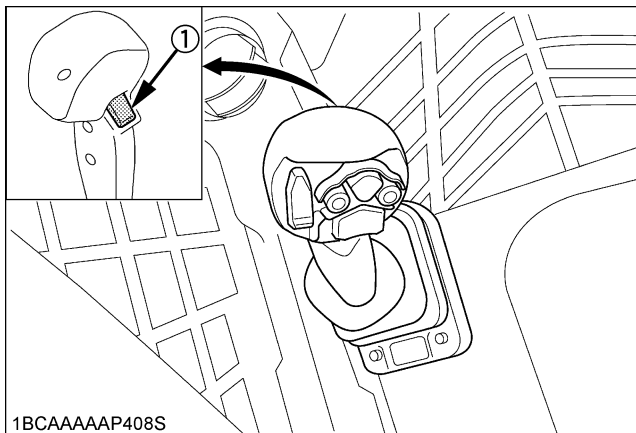
- (1) Interior lamp switch
(2) Interior lamp

Travel Speed Switch

Travel speed will increase when this switch is pressed down.

Switching the dual travel speed:

1. Press the travel speed switch. The buzzer beeps twice and the travel speed changes from low to high speed. The  symbol lights up.
2. Press the travel speed switch again, and the buzzer beeps once and the travel speed changes from high to low speed. The  symbol goes out.



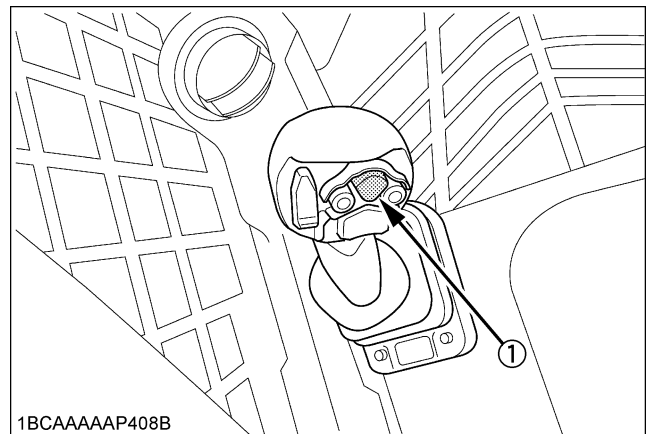
- (1) Travel speed switch
(2) Speed indicator light

NOTE :

- When activating the travel speed switch, it must be pressed completely. (The switch is operative only when the travel system is unlocked)
- Each time the travel speed switch is pressed, the travel speed is switched between high and low speed.
- If the hydraulic oil temperature is low, the travel speed does not change to high speed. (The warning lamp (amber) blinks.)

Horn Switch

Even when the starter key is in "STOP" position, the horn will be beeped by pressing the horn switch.



- (1) Horn switch

■AUX Port Variable Switch

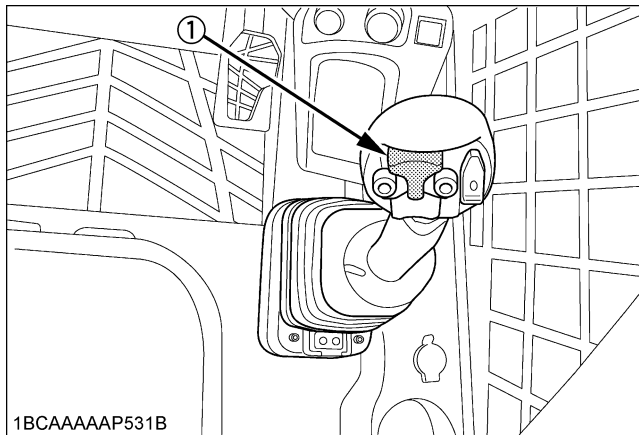
With the AUX port unlocked, the hydraulic oil flow rate varies depending on the tilt angle of the switch.

Right-hand control:

The flow rate through the right-hand port (male) varies.

Left-hand control:

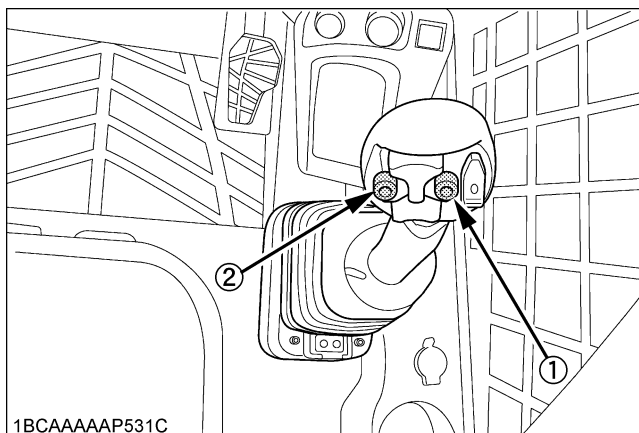
The flow rate through the left-hand port (female) varies.



(1) AUX port variable switch

■AUX Hold Switch

Press the right or left hold switch to maximize the flow rate.



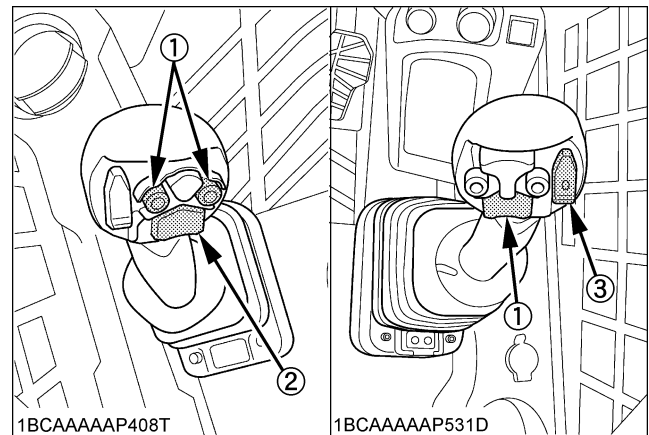
(1) AUX hold switch (Right)
(2) AUX hold switch (Left)

■AUX Electrical Control Switch (Option)

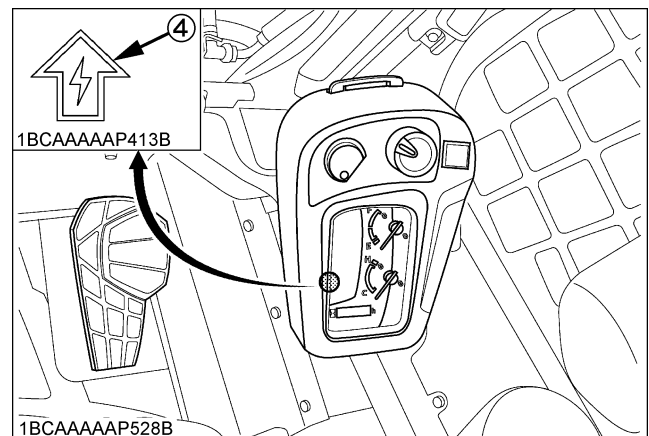
With the AUX port switch unlocked, this switch serves to feed electrical power to attachments.

Press the AUX electrical mode change switch, and the AUX electrical mode change function will be on. The AUX electrical mode change lamp and a lamp on that switch will light up.

Press the switch again, and the AUX electrical mode change function will be off. The AUX electrical mode change lamp and the lamp on that switch will go off.



(1) AUX electrical control switch
(2) AUX electrical control switch (Multi Function model only)
(3) AUX electrical mode change switch (Multi Function model only)



(4) AUX electrical mode change lamp

NOTE :

- The 14-pin coupler (option) is required for this function.

■ Float Switch



WARNING

To avoid personal injury or death:

- Make sure the bucket is lowered to the ground before putting the lift arms in the "FLOAT" position. Putting the lift arms in the "FLOAT" position while they are off the ground will cause the bucket and lift arms to fall and is extremely dangerous.
- Do not drive the machine forward with the lift arms in the "FLOAT" position.

◆ Entering the float mode

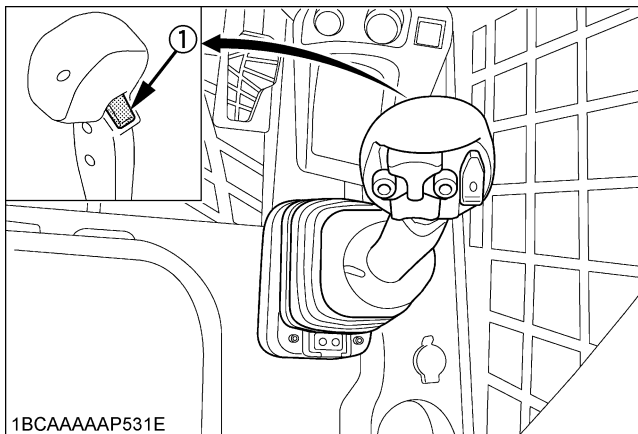
While moving down the arm (tilting the right control lever forward), press the float switch on the right control lever and release it no later than 1 second. The float mode is then turned on.

While in the float mode, the "☁" mark on the instrument panel stays on.

◆ Exiting the float mode

While the machine is in the float mode,

- (1) Press the float switch on the right control lever.
- (2) Or move up the arm (pulling the right control lever backward).



1BCAAAAAP531E

(1) Float switch

■ Starter Switch

● [STOP]

The key can be inserted at the "STOP" position.

● [RUN]

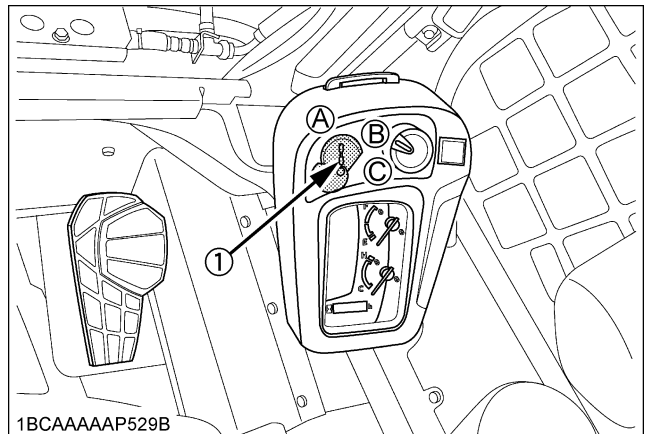
Turn the key one click from the "STOP" position to the "RUN" position. All the circuitry gets energized to start preheating. The glow plug indicator is displayed.

To check for any lamp breakage, however, the lamp lights up and stays on for about 1 second.

● [START]

Turn the key from the "RUN" position another click to the "START" position. The starter motor is then activated to get the engine started.

Release your hand from the key, and the key returns itself to the "RUN" position. In other words, once the engine has started, be sure to free the key.



(1) Starter switch

(A) "STOP"

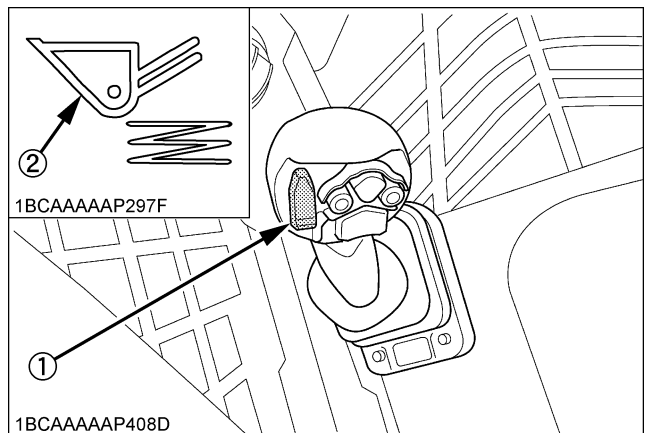
(B) "RUN"

(C) "START"

■ Ride Control (KSR) Switch (Option)

Press the ride control switch with the hydraulic lock released, and the ride control lamp lights up and stays on. Now the ride control function is enabled.

Press this switch again, and its lamp goes out and the ride control function gets disabled.



1BCAAAAAP408D

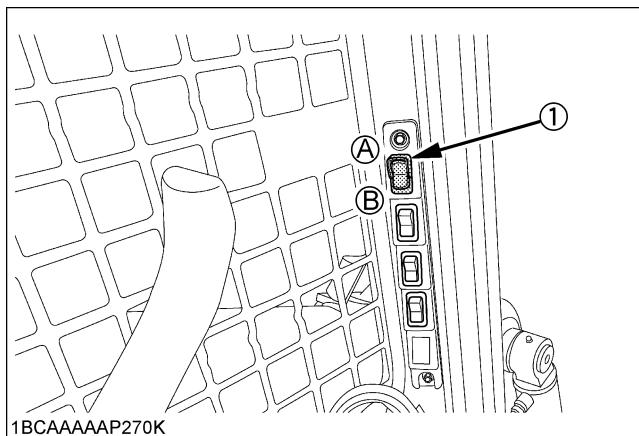
(1) Ride control switch

(2) Ride control (KSR) lamp

■Hydraulic Quick-Hitch Switch (Option)

The switch is used to attach and detach an attachment by activating the hydraulic quick-hitch.

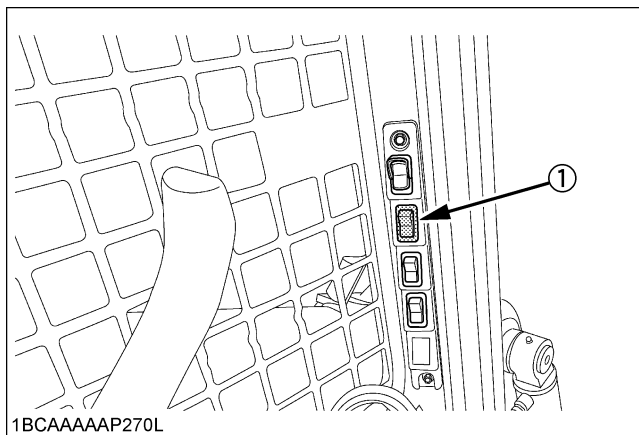
Move the switch to the "🔒" (LOCK) mark to get the hitch locked. Move it to the "🔓" (UNLOCK) marked position to unlock the hitch and detach the bucket, for example. After cylinder is moved to locked position, always check to be sure both pins are engaged to the attachment.



(1) Hydraulic quick-hitch switch (A) "UNLOCK" position (B) "LOCK" position

■Hydraulic Bucket Positioning Switch (Option)

Press the upper side of the switch to engage hydraulic bucket positioning. Press the lower side of the switch to disengage.



(1) Hydraulic bucket positioning switch (Hydraulic bucket positioning model only)

NOTE :

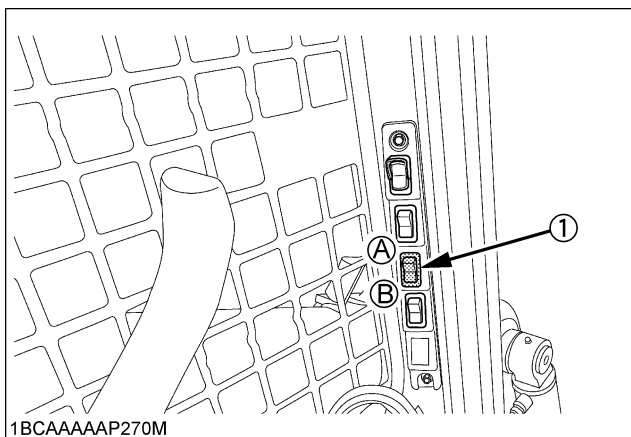
- Self leveling is only operational during the lift arms raise function.

■Wiper/Washer Switch (Closed cab model)

To start the wiper, press the upper side of the switch when the starter key is in "RUN" position. (Press further and hold for washer fluid.)

To stop the wiper, press the lower side of the switch.

- Do not activate the washer switch (B) if the tank for the cleaning fluid is empty; the pump can be damaged.
- Do not activate the wiper switch (A) if the window is dry. In this case, make sure that cleaning fluid is applied to the pane before activating the wiper.
- In freezing conditions, make sure that the wiper blade is not frozen to the glass before switching-on. The motor can be damaged if the wiper system is used under such conditions.



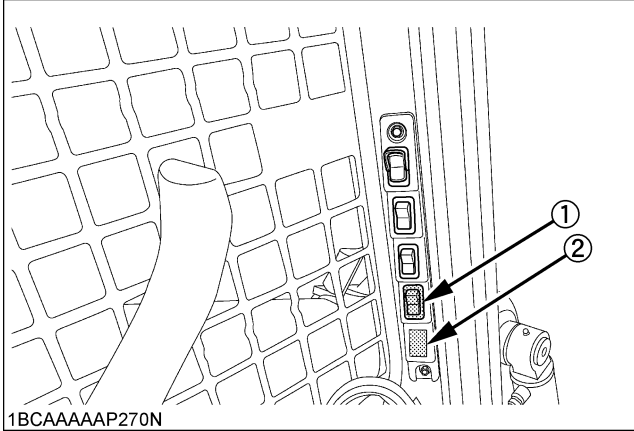
(1) Wiper / washer switch (A) Wiper (B) Washer

NOTE :

- Wiper and washer are operable only during engine operation.

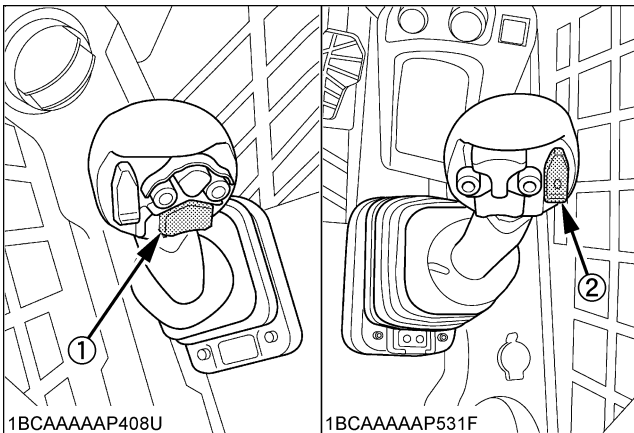
■ Four-way Flasher / Turn Signal Switch (Option)

Press the upper side of the switch to turn lights on.
Press the lower side of the switch to turn lights off.



- (1) Four-way flasher lights switch
(2) Turn signal indicator

While the AUX electrical mode change function of the right control lever is on, the turn signal can be used with the switch (1).



- (1) Turn signal switch
(2) AUX electrical mode change switch

CHECKING THE LAMPS AND INDICATORS

■ Fuel Gauge Indicator

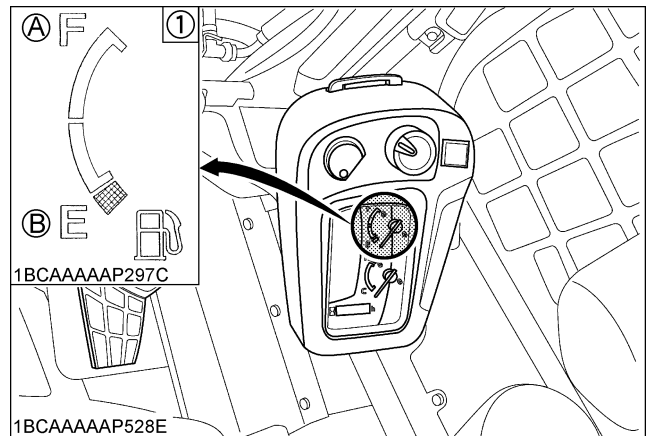


WARNING

To avoid personal injury or death:

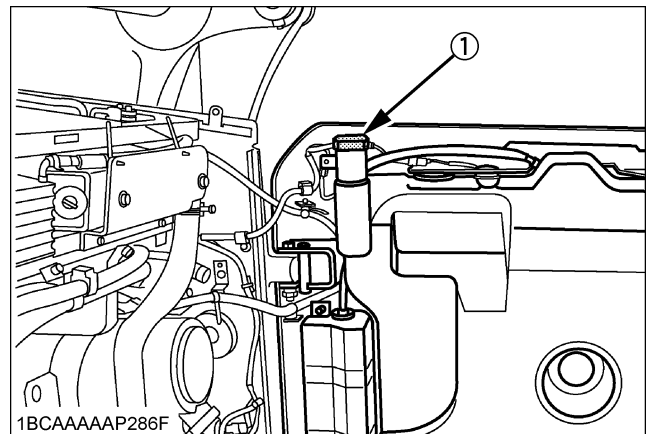
- Before adding fuel, be sure to stop the engine.
- Be sure to keep open flame away from the machine. Otherwise a fire may result.

With the starter key at the "RUN" position, the fuel remaining in the fuel tank is indicated in the indicator.



- (1) Fuel gauge indicator (A) "FULL"
(B) "EMPTY"

If the fuel runs short, open the rear door and the cap and refuel the tank. (For detail to open the rear door, see "Rear Door" in "MAINTENANCE" section.)



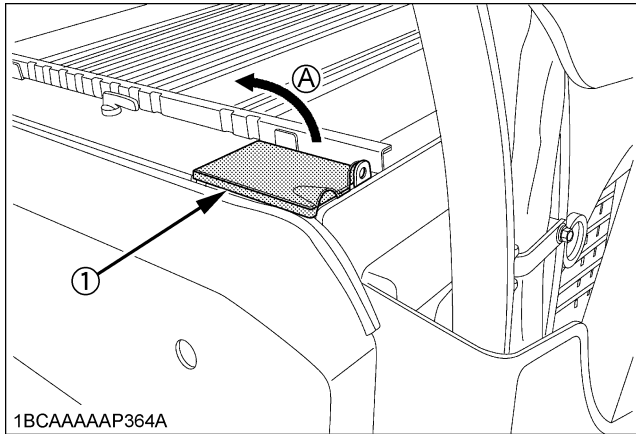
- (1) Cap

IMPORTANT :

- If the fuel gauge indicator is near the "E", add fuel as soon as possible. If the indicator is near "E" and the machine runs on a slope, the engine may run out of fuel and get interrupted.
- Be very attentive to the remaining fuel for the engine not to stall. If the engine stalls, it may fail to get restarted for a while to protect the emission purifying device.

NOTE :

- If the rear door can not be opened, open the tank cap cover and the cap, and refuel the tank.

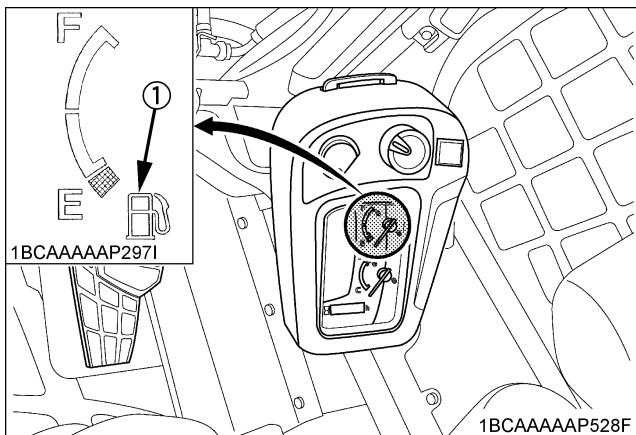


(1) Tank cap cover (A) Open

Remaining Fuel Warning Lamp

If the fuel in the tank goes below the prescribed level, the warning lamp will flash.

If this should happen during operation, refuel as soon as possible.



(1) Remaining fuel warning lamp

Coolant Temperature Gauge

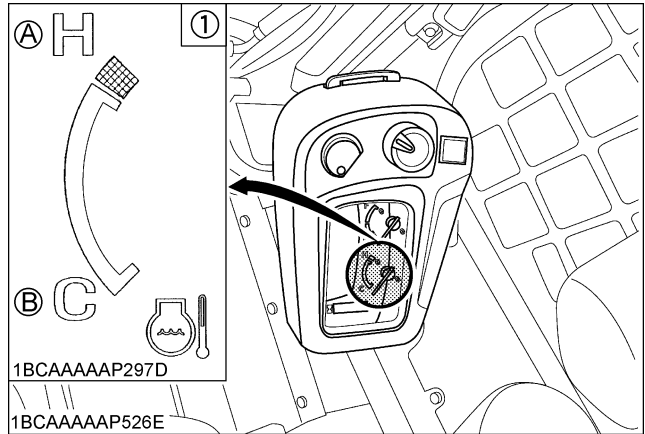


WARNING

To avoid personal injury or death:

- Do not open the radiator cap during or just after operation. Hot water may gush out and scald you. Wait for the water to cool down before opening the cap.

With the starter key at the "RUN" position, the coolant temperature is indicated.



(1) Coolant temperature gauge (A) "HOT" (B) "COOL"

If engine coolant rises above a specified temperature level, the indicator starts blinking and the buzzer beeps once for advance warning. If the coolant temperature further rises to the critical level, the blinking intervals become shorter, the buzzer keeps beeping, and the engine hose power is limited.

When the coolant temperature has dropped below specified temperature level or the starter key has been moved to the "STOP" position, the warning will cease.

If the coolant temperature gauge is near "H", take the steps below.

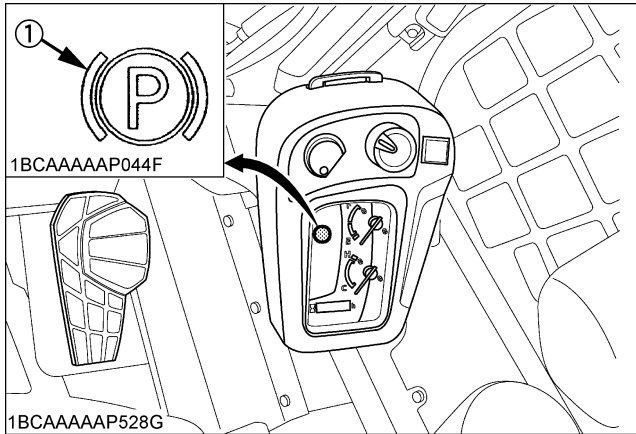
1. Discontinue the job.
2. Reduce engine rpm's to idle and keep it at idle for 5 minutes.
3. Stop the engine and check the following points (1)-(4).
 - (1) Low coolant level or leak
 - (2) V-belt tension
 - (3) Mud, dust or chaff deposits blocking the radiator or grill
 - (4) Hydraulic oil leak

IMPORTANT :

- If the emission alarm (E: 9114 or 9115) is displayed, the EGR valve will begin to close and EGR system will not function. Interrupt the work and lower the engine rpm, which will reduce the coolant temperature.

■ Parking Lamp

When the parking brake switch is turned on, the parking lamp on the instrument panel turns on. (See page 9.)



(1) Parking lamp

■ Warning Lamp

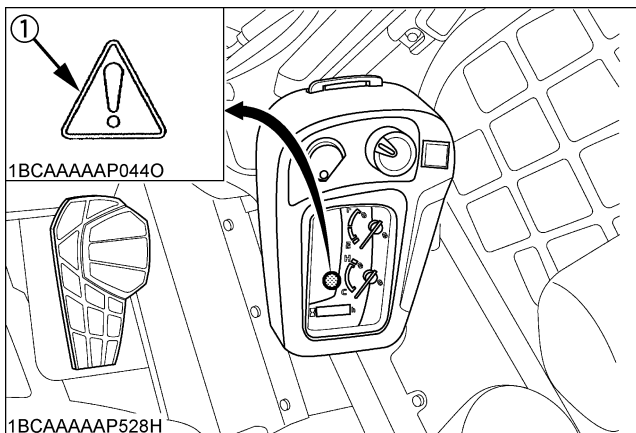
The red warning lamp is used to indicate broken wire, short-circuit and other problems.

The warning lamp starts flashing in red if the hydraulic lock/unlock solenoid, AUX port variable switch and other elements are broken or short-circuited.

The amber warning lamp is used to indicate the advance warning and other information.

IMPORTANT :

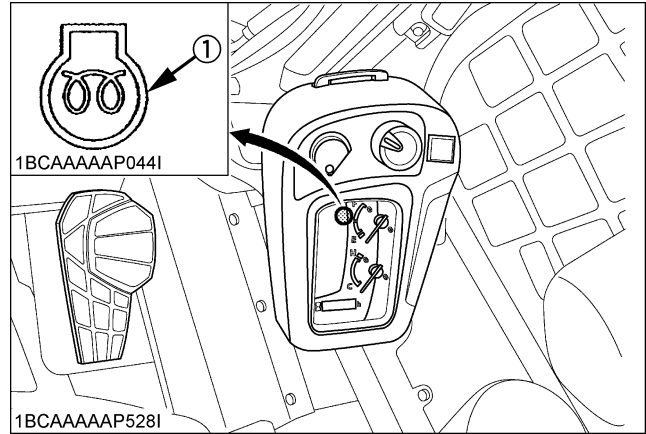
- If the red warning lamp lights up, consult your local KUBOTA dealer immediately.



(1) Warning lamp

■ Glow Plug Lamp

The glow plug lamp is displayed when the starter key is turned to the "RUN" position but the engine requires preheating. Wait until the indicator goes out and then start the engine.



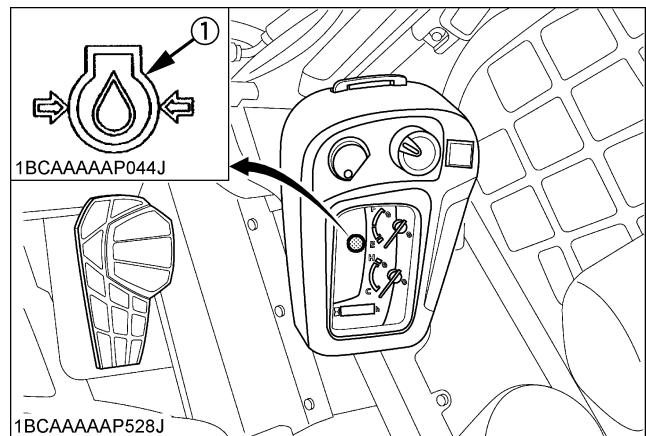
(1) Glow plug lamp

■ Engine Oil Pressure Warning Lamp

The engine oil pressure warning lamp lights up due to failure of the lubricating system with the engine running.

When the starter key is turned in "RUN" position with the engine off, this lamp lights up and when the engine starts, the lamp goes out.

If the lamp stays on with the engine running, stop the engine and check the engine oil level.



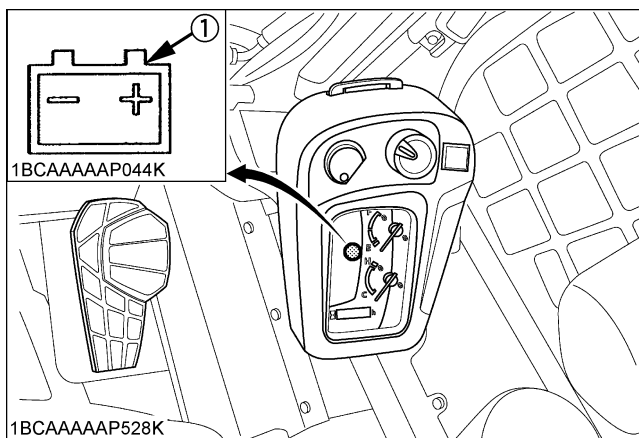
(1) Engine oil pressure warning lamp

■ Battery Charge Lamp

This battery charge lamp lights up if the charging system fails with the engine running.

When the starter key is turned in "RUN" position with the engine off, the lamp lights up and when the engine starts, the lamp goes out.

If the lamp stays on with the engine running, stop the engine and check the V-belt.



(1) Battery charge lamp

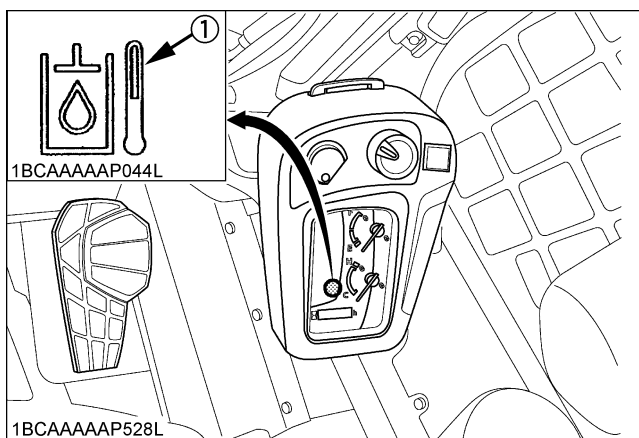
■ Hydraulic Oil Temperature Warning Lamp

If the hydraulic oil temperature rises above a specified temperature level, the indicator starts blinking and the buzzer beeps once for advance warning.

If the hydraulic oil temperature further rises to critical level, the blinking intervals becomes shorter and the buzzer keeps on beeping and the engine rpm is limited.

When the oil temperature has dropped below the specified level or the starter key is turned off, the warning will cease.

Stop the engine and check for an unspecified level in the hydraulic oil tank and for a hydraulic oil leak.



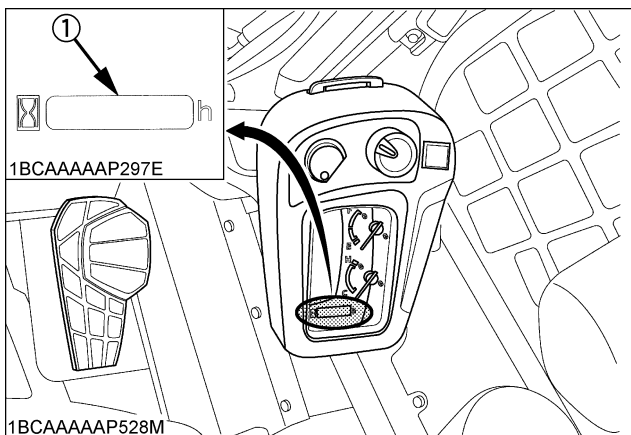
(1) Hydraulic oil temperature warning lamp

■ Hour-Meter

Indicates the total operating hours of the machine.

How the indicator works

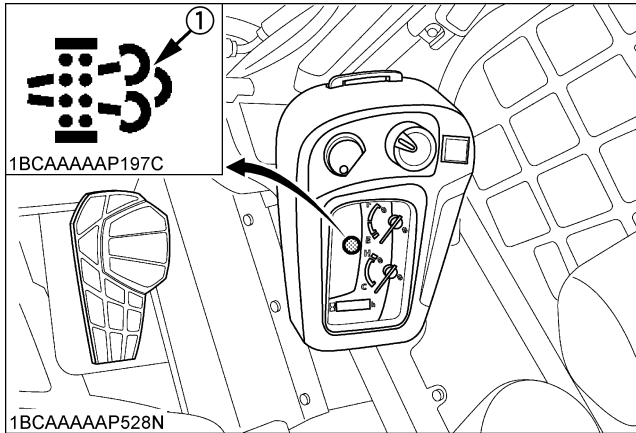
- The meter advances one hour after an hour of operation regardless of the engine rpm.



(1) Hour-meter

■ Diesel Particulate Filter (DPF) regeneration indicator

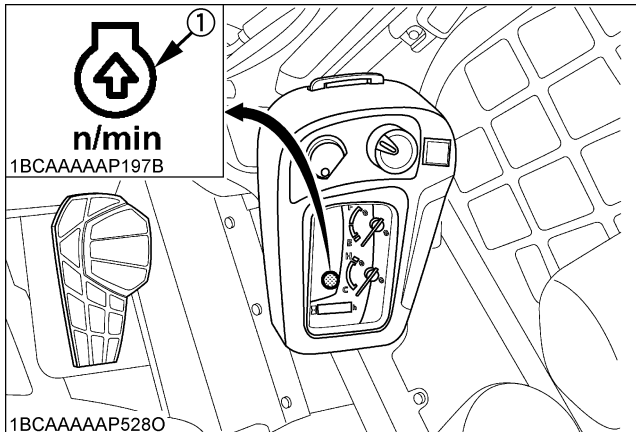
As PM (Particulate Matter) builds up inside the DPF, the DPF regeneration cycle starts automatically to burn away PM. During DPF regeneration, this lamp lights up and stays on and the beep tone keeps sounding to warn the operator.



(1) DPF regeneration indicator

■ Engine rev up warning lamp

If the engine rpm is too low to start regeneration, the DPF regeneration indicator lights up and starts blinking. In such case, rev up the engine until this lamp goes out, the regeneration will automatically start.



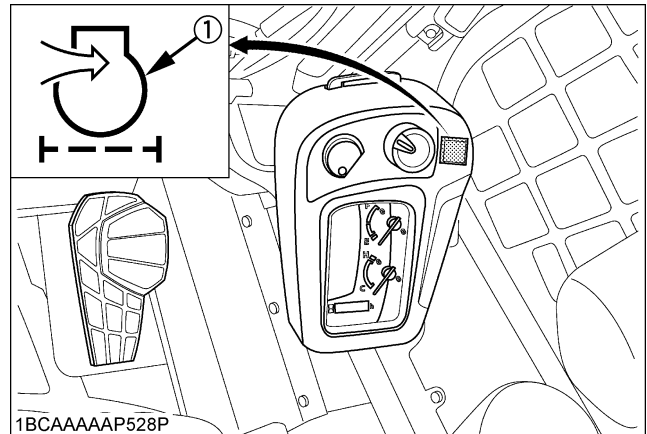
(1) Engine rev up warning lamp

■ Air Cleaning Warning Indicator

If the air cleaner is clogged, the air cleaner warning indicator on the instrument panel will light up.

If this should happen at high engine rpm, stop the engine and clean the air cleaner element.

(See "Inspection and Cleaning Air Cleaner Element", "Air Cleaner Element" and "Cleaning Evacuator Valve" in "EVERY 50 SERVICE HOURS" in "REGULAR CHECKS AND MAINTENANCE WORK" section.)



(1) Air cleaner warning indicator

EXHAUST AFTERTREATMENT DEVICES

■ Catalyst-containing Diesel Particulate Filter (DPF) device

This after-treatment device has two functions: reducing certain emissions, like hydrocarbon (HC) and carbon monoxide (CO), to innocuous carbon dioxide and water, and trapping and elimination PM (Particulate Matter) through the filter at the same time.

Following EPA regulations, it is necessary to service the DPF, such as renewing or cleaning the filter at regular intervals.

Be sure to carefully read this Operator's Manual before using the machine. The machine owner and operator are responsible for handling this device correctly to protect the environment and to prevent damage to the DPF, and comply with Federal and state regulations.

◆ Handling instructions

● Fuel

Be sure to use ULTRA LOW SULFUR FUEL (S15).

Use of other diesel fuel other than this may adversely affect the engine and the emission control device and may damage them.

● Engine oil

Use DPF-compatible engine oil (CJ-4 or CK-4). Any unspecified oil may damage the DPF earlier than expected and lower fuel economy.

IMPORTANT :

- If you use different fuel or engine oil, the cleaning interval of the DPF (3000 hours) can't be secured and the DPF will be clogged in a shorter time than expected.

◆ Prohibited unnecessary idling

Generally speaking, the lower the engine rpm is, the lower the exhaust gas temperature is. It is more difficult to burn PM (Particulate Matter) in the DPF. With this in mind, do not keep the engine idling unnecessarily.

If you leave the machine with the engine running, to protect the DPF the engine can stop automatically.

◆ DPF regeneration system

On the Kubota SSL, the ECU prompts DPF-regeneration cycle. When starting the engine, Auto Regeneration Mode is set by default. When all the conditions are met, regeneration automatically starts, unless the inhibit switch is engaged.

■ Regeneration of Diesel Particulate Filter (DPF)

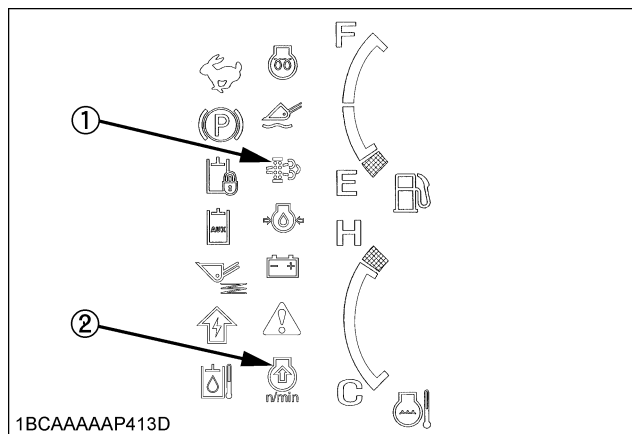


WARNING

To avoid personal injury or death:

- When the DPF is in the regenerating mode, the exhaust gas and the DPF muffler become hot. During the regeneration, take into account that the muffler will be very hot and keep the machine away from other people, animals, plants, and flammable material. Also keep the area near the DPF muffler clean and away from flammable material.
- Do not leave the machine during DPF regeneration.

The DPF level of PM during operation is indicated by indicator symbol and buzzer.



- 1BCAAAAAP413D
- (1) DPF regeneration indicator
 - (2) Engine rev up warning lamp

NOTE :

- During DPF regeneration cycle keep the surrounding environment in mind. Do not allow the ambient temperature to rise excessively due to heat from the regeneration. If such occurs, activate the inhibit switch.
- The DPF regeneration cycle only starts in the following conditions. If any of the conditions are not met, the DPF regeneration cycle may be interrupted.
 - (1) Coolant temperature above 65°C
 - (2) DPF temperature above 250°C
 - (3) Engine rpm above 1200 rpm
- The regeneration usually takes about 15-20 minutes. It depends, however, on the outside air temperature, exhaust gas temperature and filter PM level.
- Do not attempt to interrupt the DPF regeneration cycle unnecessarily.

CHECKING THE SAFETY DEVICES



WARNING

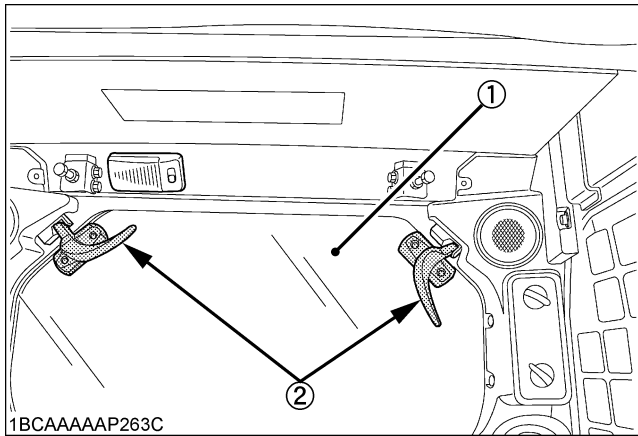
To avoid personal injury or death:

- Place the machine on a firm, flat and level surface.
- Before starting the engine, make sure that no one is near the machine.

Emergency Exit

If you should become trapped in the cab, you can open the rear window to get out.

1. This window is equipped with latches.
2. Turn both latches clockwise until they disengage from the window frame.
3. Push the rear window out of the rear of the operator cab.
4. Exit through the rear of the operator cab.



- (1) Window
(2) Latch

Armrests Function

1. Sit in the operator's seat.
2. Fasten the seat belt.
3. Start the engine.
4. Push down both armrests.
5. Push on the hydraulic unlock switch and make sure that the hydraulic lock lamp on the instrument panel goes out.
6. Move the right control (front operating) lever slowly and make sure that the lift arms and bucket move slowly.
7. Raise the left armrest. Make sure that the hydraulic lock lamp on the instrument panel lights up.
8. Move the right control (front operating) lever and make sure that the lift arms and bucket do not get activated.
9. Push down the left armrest.
10. Push on the hydraulic unlock switch and make sure that the hydraulic lock lamp on the instrument panel goes out.

11. Raise the right armrest. Make sure that the hydraulic lock lamp on the instrument panel lights up.
12. Move the right control (front operating) lever and make sure that the lift arms and bucket do not get activated.

OPC Function



WARNING

To avoid personal injury or death :

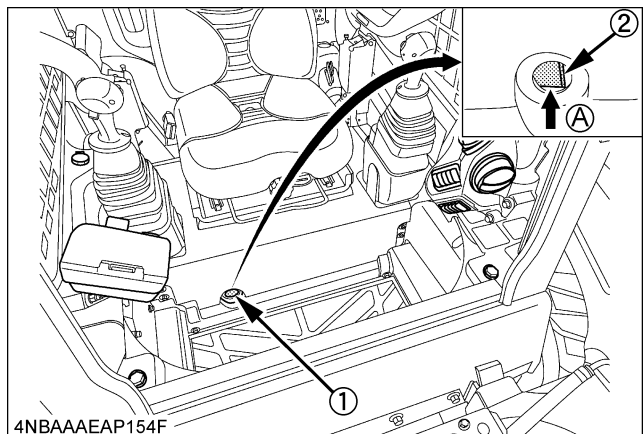
- While checking the OPC function, you start the engine without wearing the seat belt. After making sure that the OPC function gets activated as specified, be sure to fasten the seat belt and operate the machine.

Make sure that the armrests function as specified, and then check the OPC function.

1. Sit in the operator's seat.
2. Start the engine.
3. Push down both the armrests.
4. Push on the hydraulic unlock switch and make sure that the hydraulic lock lamp on the instrument panel goes out.
5. With the armrests kept down, get off the operator's seat and make sure that the hydraulic lock lamp on the instrument panel lights up in 3 seconds. During this action, be careful not to touch the control lever and the foot pedal.

Forced Lift Arms Lowering Device

1. Start the engine.
2. Move the right control (front operating) lever until the lift arms come up to your eye level.
3. Stop the engine.
4. Slide the operator's seat all the way backward.
5. Remove the rubber cap.
6. Push the lever to make sure that the lift arms descend.
7. Release the lever to make sure that the lift arms stop descending.
8. Replace the rubber cap back in its original position.



- (1) Rubber cap
(2) Lever
(A) "PUSH"

■ Lift Arm Stopper

⚠ WARNING

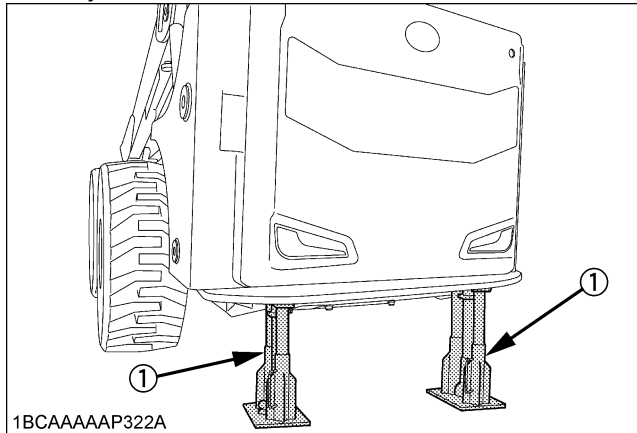
To avoid personal injury or death:

- Never work on a machine with the lift arms up unless the lift arms are secured by an approved lift arm stopper.

The lift arm stopper is used to prevent the lift arms from falling when servicing the machine.

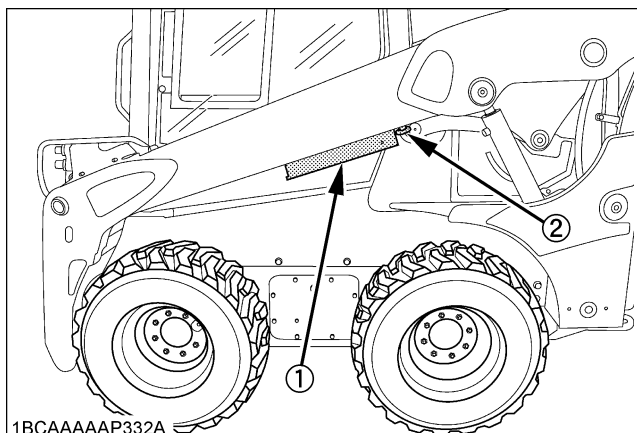
◆ Installing

1. Remove the front attachment.
2. Park the machine on level and firm ground and lower the lift arms fully to the ground.
3. Stop the engine.
4. Put jack stands under the rear corners of the frame.



(1) Jack stands

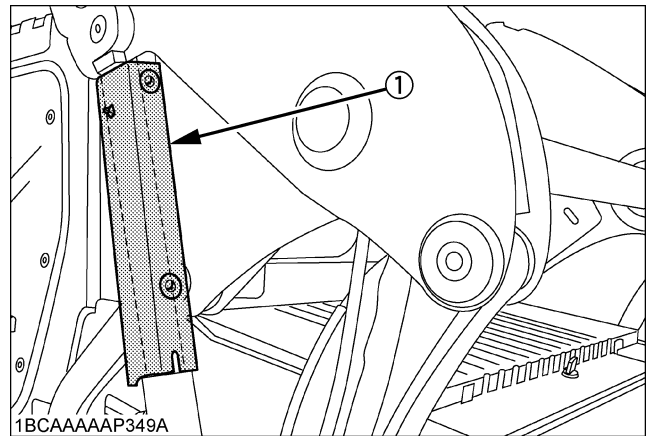
5. The second person should remove the lift arm stopper from the storage position.



(1) Lift arm stopper
(2) Knob bolt

6. Start the engine and set the parking brake switch to the parked position.

7. Slowly raise the lift arms to the maximum height and stop the engine.
Operator must stay in the operator seat with the seat belt fastened.
8. The second person must install the lift arm stopper.
Place the top of lift arm stopper upward and cover the rod with the stopper from rear.

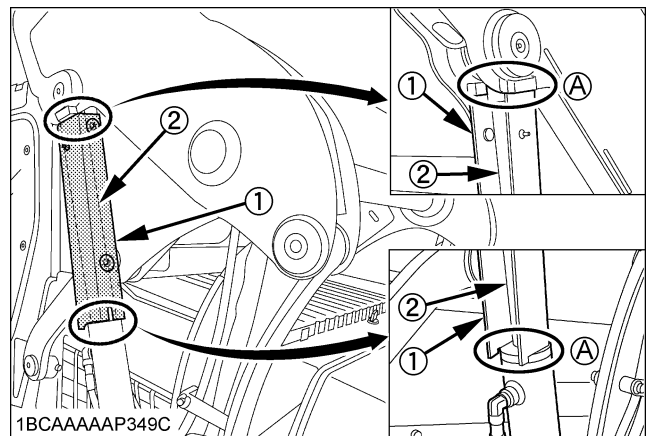


(1) Lift arm stopper

9. Start the engine and set the parking brake switch to the parking position.
10. Slowly lower the lift arms against the lift arm stopper.

IMPORTANT :

- Make sure that the top of the lift arm stopper fits the flat part of the lift arm and that the bottom of lift arm stopper fits the flat top of arm cylinder rod. No gap is allowed in both locations.



(1) Lift arm stopper
(2) Arm cylinder rod
(A) "FIT"

◆ Removing

1. The operator should be in the operator's seat with the seat belt fastened.
2. Start the engine and set the parking brake switch to the parking position.
3. Slowly raise the lift arms to the maximum height and stop the engine.
4. The second person must remove the lift arm stopper.
5. Start the engine and lower the lift arms fully to the ground and stop the engine.
6. Return the lift arm stopper to the storage position and secure with knob bolt.
7. Remove the jack stands.

DOOR AND WINDOWS

■ Opening/Closing of Cab Door (Closed cab model)



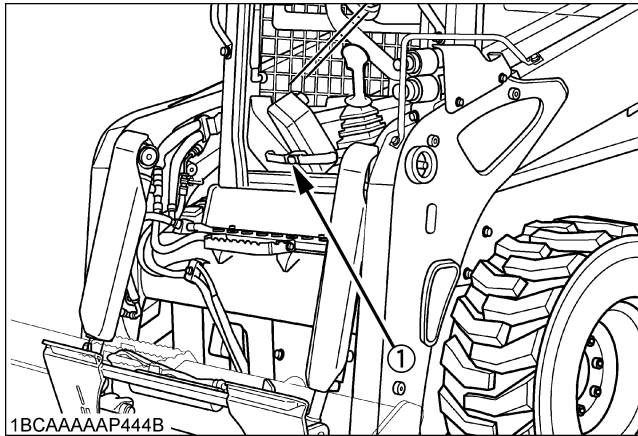
WARNING

To avoid personal injury or death:

- Keep hands and feet away from the area between cab door and cab frame. Otherwise the operator risks serious injuries by pinching or crushing.
- Other persons should stay away when opening the cab door.

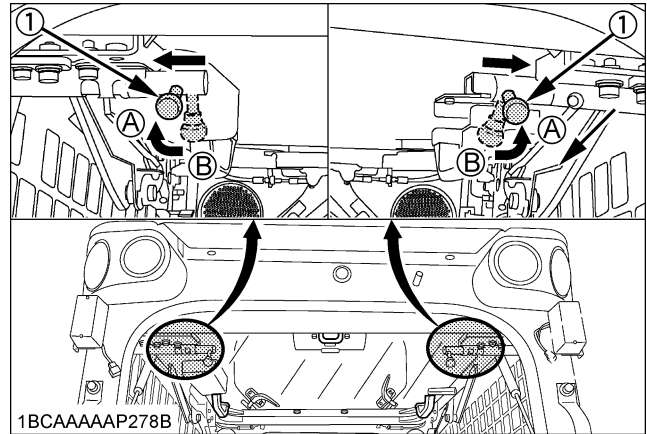
◆ To open the cab door from outside, follow the steps below.

1. Unlock the cab door and push the button. The cab door will open upward.
2. Push the cab door all the way up until it locks to the top of the cab.



(1) Button

3. After opening, lock in place by moving both lock pins to outside to prevent door from inadvertently falling.



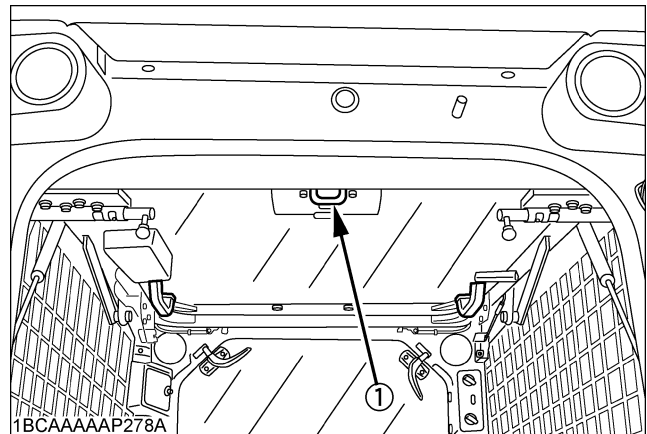
(1) Lock pin

(A) "LOCK"

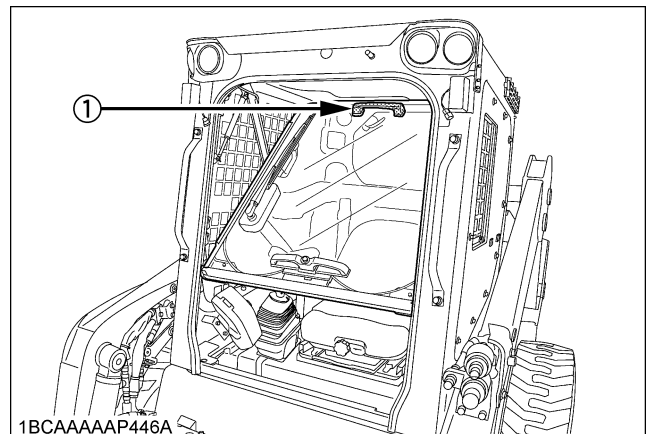
(B) "UNLOCK"

◆ To close the cab door from outside, follow the steps below.

1. Before closing, unlock in place by moving both lock pins to inside.
2. Push the lock lever at the bottom of the cab door and slowly lower the cab door half way.
3. Grasp the top handle and pull it toward yourself to latch the cab door.



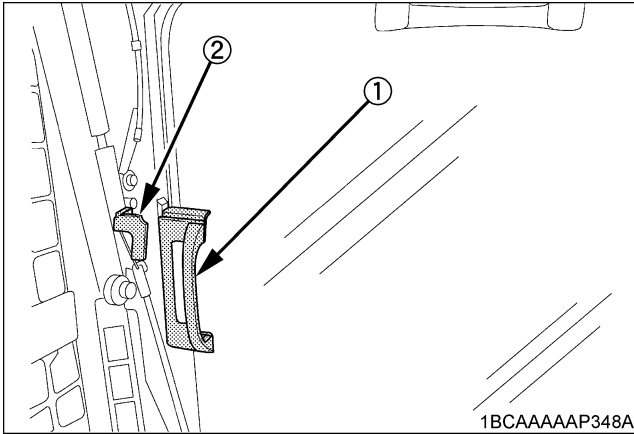
(1) Lock lever (bottom)



(1) Top handle

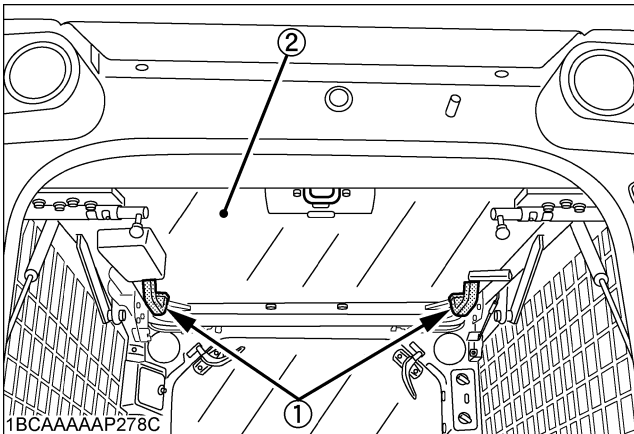
4. When leaving the machine, always lock the cab door.
◆ To open the cab door from inside, follow the steps below.

1. Hold the handles tightly with both hands and push the lock levers beside the handles.



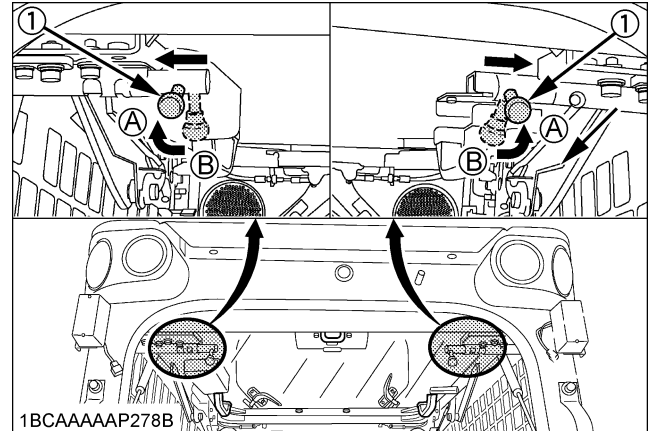
(1) Handle
 (2) Lock lever

2. Pull the handles slightly upward and toward yourself to let the cab door slide inward.
 3. Pull the cab door all the way to the lock at the back of cab.



(1) Handle
 (2) Cab door

4. After opening, lock in place by moving both lock pins to outside to prevent door from inadvertently falling.



(1) Lock pin
 (A) "LOCK"
 (B) "UNLOCK"

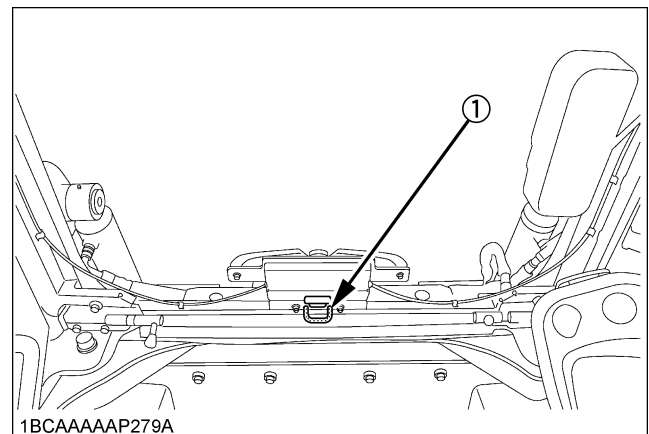
◆ To close the cab door from inside, follow the steps below.

1. Before closing, unlock in place by moving both lock pins to inside.
 2. Hold the handles tightly with both hands. Push the lock levers beside the handles.
 3. Pull the handles down and forward to move the cab door from the horizontal to the vertical position.
 4. Push the cab door until it latches in the door opening.

! WARNING

To avoid personal injury or death:

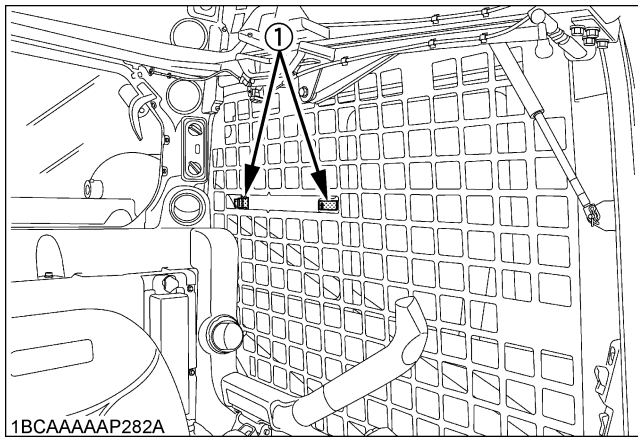
- Do not use the lock lever at the bottom of the cab door from inside.
- Use caution and both hands to open/close the cab door to avoid contact with your head.



(1) Lock lever (bottom)

Opening/Closing of Side Cab Window (Closed cab model)

1. Pull the grip to release the lock and pull side window open to the rear.
2. To close the side window, slide it forward until the lock snaps in at the window frame.



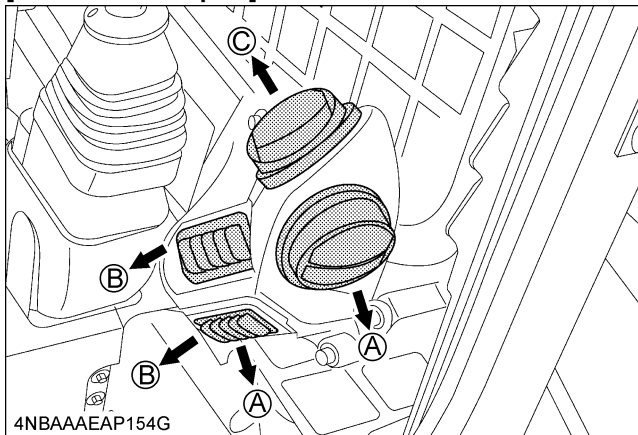
(1) Grip

AIR-CONDITIONER

Air Flow

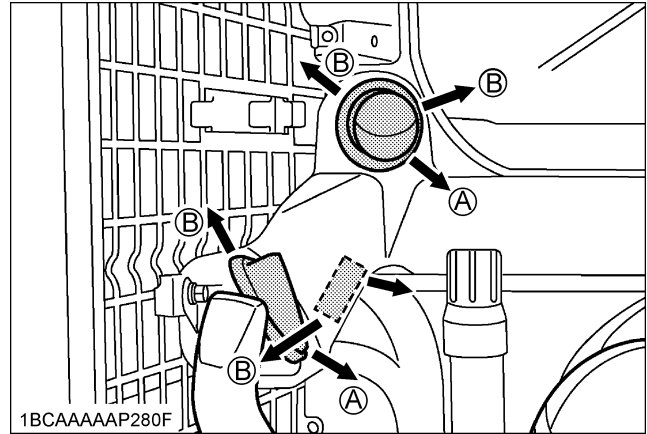
Air flow in the cab and fresh air flow into the cab is shown in the below figure. Adjust the nine air outlet ports to obtain the desired air flow.

[Front air outlet port]



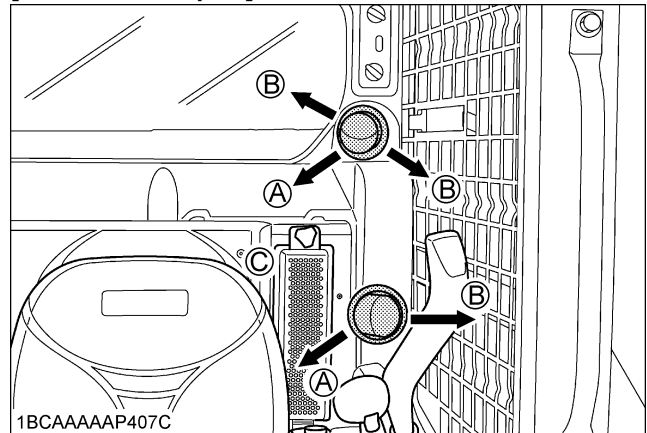
(A) "WINDSHIELD"
(B) "FOOT AREA"
(C) "CHEST AREA"

[Rear air outlet port]

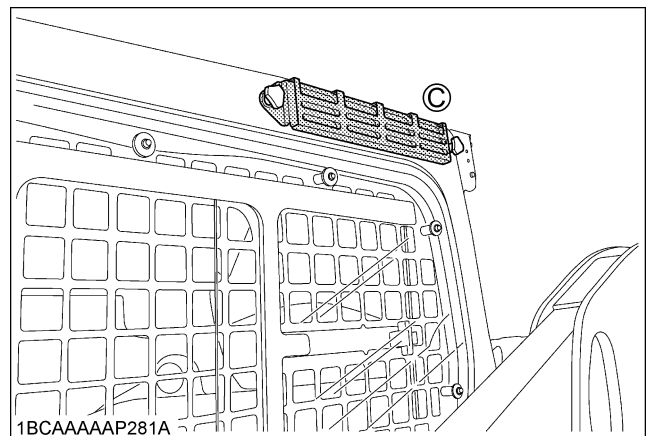


(A) "CHEST AREA"
(B) "WINDSHIELD"

[Rear air outlet port]



(A) "CHEST AREA"
(B) "WINDSHIELD"
(C) "INSIDE AIR RECIRCULATION"



(C) "FRESH AIR INLET"

IMPORTANT :

- Do not allow water to enter the fresh air inlet and the inside air recirculation when washing the machine.

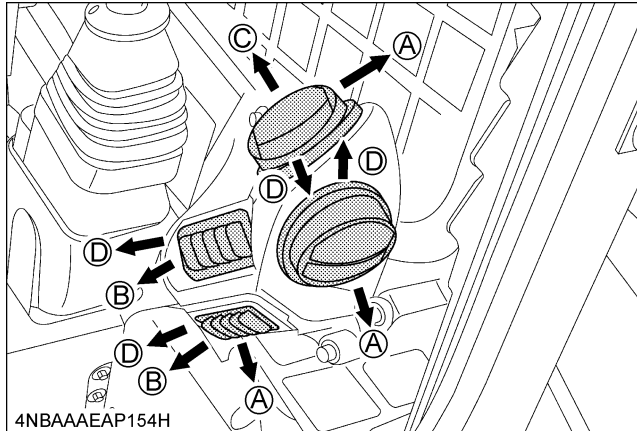
■ Air Control Vent

◆ Air outlet

The air outlet ports can be independently adjusted as required.

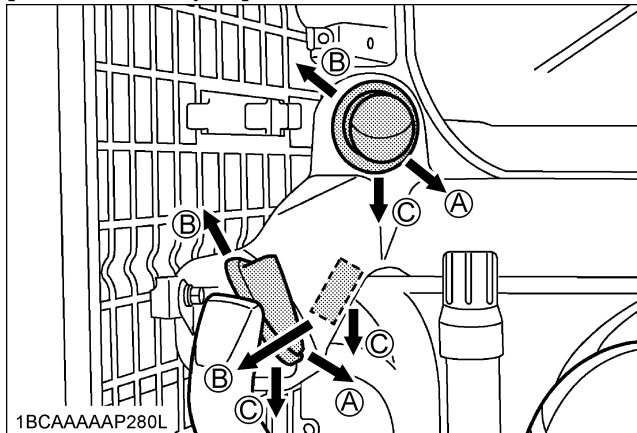
To defrost the windshield, rotate the air outlet ports toward the windshield.

[Front air outlet port]



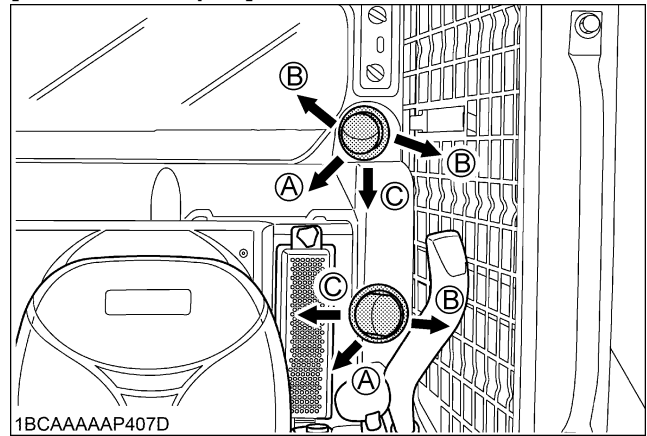
- (A) "WINDSHIELD"
- (B) "FOOT AREA"
- (C) "CHEST AREA"
- (D) "CLOSED"

[Rear air outlet port]



- (A) "CHEST AREA"
- (B) "WINDSHIELD"
- (C) "CLOSED"

[Rear air outlet port]



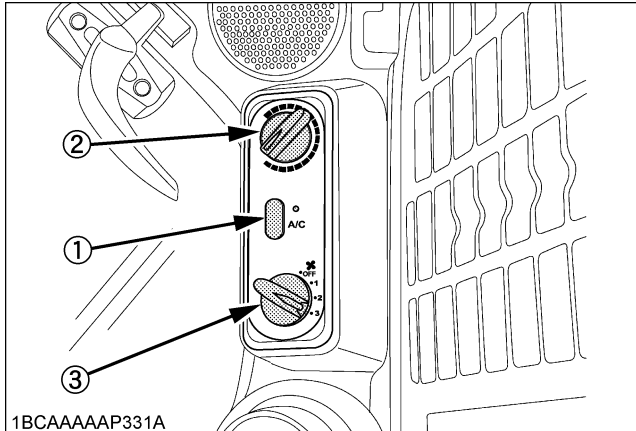
- (A) "CHEST AREA"
- (B) "WINDSHIELD"
- (C) "CLOSED"

! WARNING

To avoid personal injury or death:

- Replace the air-conditioner hoses every two years.
- Inspect daily.
Have the machine repaired immediately if any of the following defects are discovered. (Such defects may cause burns or injury. They may also cause engine failure by serious damage.)
 - Scratches, cracks or swelling in air-conditioner hoses.
 - Water leaks at joints or connecting points.
 - Missing or damaged air-conditioner hose protective sleeve or grommet.
 - Loose mounting bolt, damaged bracket.
- Do not touch the air-conditioner hoses or the heater with your hand. You may get burned.
- If the window fails to defrost in extreme conditions or becomes cloudy when dehumidifying the cab, remove moisture with soft cloth.
- Never block all of the air outlets, system malfunction may occur.

■ Control Panel



- 1BCAAAAAP331A
- (1) Air-conditioner switch with indicator light
 (2) Temperature control lever
 (3) Blower switch

◆ Air-Conditioner Switch and Indicator Light

Push this switch to activate the air-conditioner. An indicator light will light up when the switch is set to "ON". Push switch again to turn air-conditioner off, in which case the indicator light will go off.

◆ Temperature Control Lever

Set this lever at the desired position to obtain the desired air temperature. Move the lever to the right to obtain cooler air. Move it to the left to obtain warmer air.

◆ Blower Switch

Air flow (fan speed) has three levels. At the "3" position, the largest air flow is obtained.

NOTE :

- Air-conditioner is operable only during engine operation.

■ Operation

◆ Heating

1. Adjust the blower (1/2/3) switch and the temperature control lever to achieve the desired temperature level.

NOTE :

- In summer when the heater is not used, keep the temperature control lever at the "COOL" (rightmost) position. Otherwise, hot air will raise the temperature in the cab.

◆ Dehumidifying-heating

1. Press and turn on the air-conditioner switch.
2. Turn on the blower (1/2/3) switch.
3. Adjust the temperature control lever to the "COOL" or an intermediate position to achieve the desired temperature level.

NOTE :

- Be sure to close the door while the air-conditioner is ON.

◆ Cooling

1. Press and turn on the air-conditioner switch.
2. Turn on the blower (1/2/3) switch.
3. Adjust the temperature control lever to the "COOL" or an intermediate position to achieve the desired temperature level.

NOTE :

- Be sure to close the door while the air-conditioner is ON.

◆ Defrosting or demisting

To defrost or demist the windshield, take the following steps.

1. Open the front air outlet and direct it to the windshield.
2. Set the blower switch and the temperature control lever to the "3" and "WARM" (leftmost) positions, respectively.

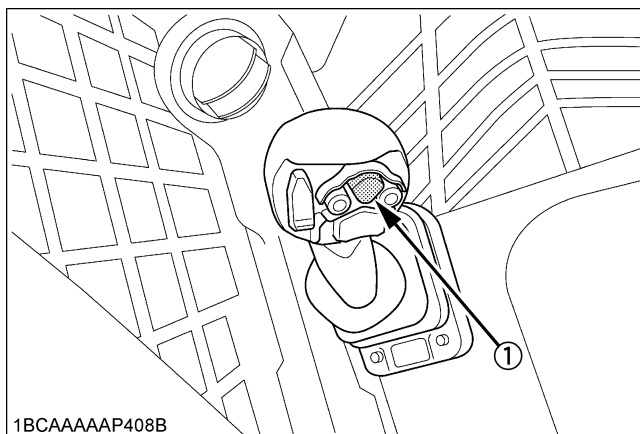
OPERATION OF THE ENGINE



WARNING

To avoid personal injury or death:

- To avoid the danger of exhaust fume poisoning, do not operate the machine in a closed building without proper ventilation.
- Always start the engine from the operator's seat. Do not start the engine while standing next to the machine. Before starting the engine, sound the horn to get the attention of persons standing nearby.



(1) Horn switch

IMPORTANT :

- Do not use starting fluid or ether.
- In order not to overload the battery and starter, avoid start-ups of more than 10 sec.
- When engine does not start in 10 sec., please wait 20 sec. or more, before attempting to restart.

STARTING THE ENGINE



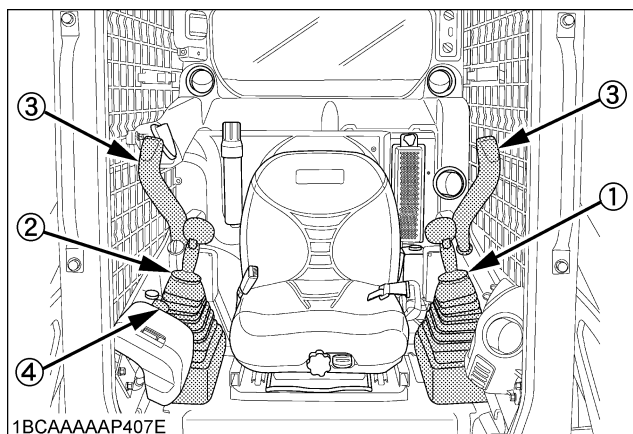
WARNING

To avoid personal injury or death:

- The operator should not depend solely on the warning lamps, but should always conduct the routine checks section (see "MAINTENANCE" section).

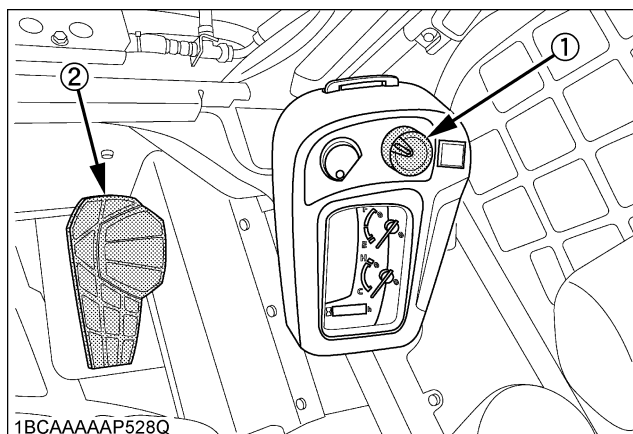
Start the engine in the following manner:

1. Before starting the engine, make sure that the armrests are in the "Raised" position and the control levers and pedal are in their neutral position and the seat belt is fastened correctly.



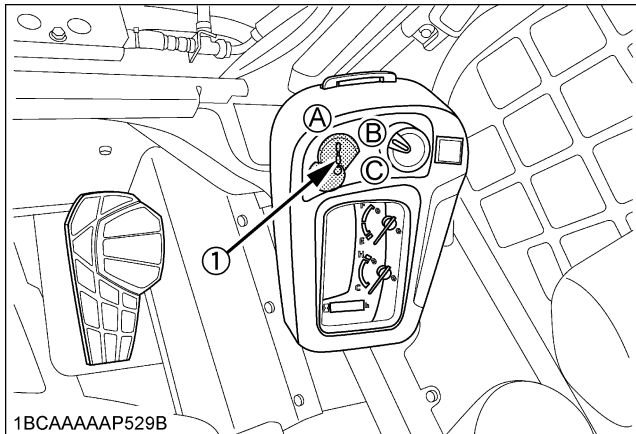
- (1) Left control (traveling) lever
- (2) Right control (front operating) lever
- (3) Armrest
- (4) Engine speed control dial

2. Set the engine speed control dial to 1/2 position and keep the accelerator pedal free.



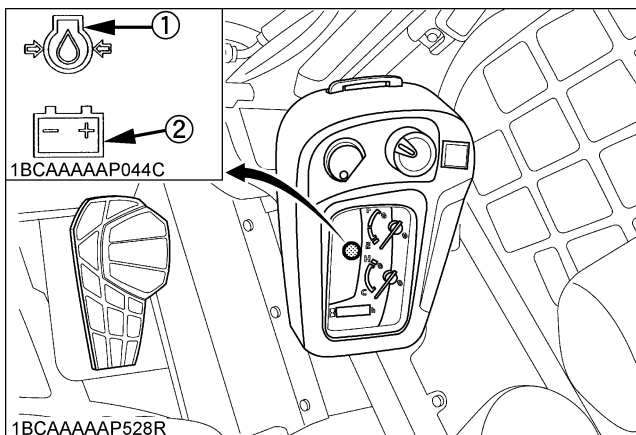
- (1) Engine speed control dial
- (2) Accelerator pedal

3. Insert the key into the starter switch and turn it to the "RUN" position. The glow plug lamp will light up while the engine is preheated and will go out automatically after preheating is finished.



- (1) Starter switch
 (A) "STOP"
 (B) "RUN"
 (C) "START"

4. Make sure the "⚠" and "🔋" marks appear on the instrument panel. If not, the system is malfunctioned. Contact your local dealer.



- (1) Engine oil pressure warning lamp
 (2) Battery charge lamp

5. Turn the key to the "START" position and release after the engine has started.
 6. Check if all warning lamps (except hydraulic lock lamp and parking brake lamp) have gone out. Should a warning lamp still be lit up, stop the engine then remove the key and check for the cause.

IMPORTANT :

- The starter motor consumes large current. Avoid running it longer than 10 seconds continuously. If the engine fails to start within 10 seconds, once set the key to the "STOP" position, wait for 20 seconds or longer, and repeat the above step 3 through 6.
- If the battery is dead and must be connected to another battery with jumper cable, be sure to use a 12V battery. Never use any 24V batteries.

■ Checkpoints after Starting the Engine

After starting the engine, but before starting operation, check the following points:

1. The engine idle allows the engine lubricant to warm up and penetrate every part of the engine.

NOTE :

- This idling is usually called "Warm-up".
2. Once the engine has warmed up, check:
 - the "Engine oil pressure warning lamp" has gone out.
 - the "Battery charge lamp" goes out when engine speed is increased.
 - the color of the exhaust is normal and no abnormal noises or vibrations are heard or felt.
 - no fluid is leaking from pipes or hoses.

◆ Should any following conditions occur, stop the engine immediately.

- The engine rpm's increases or decreases suddenly.
- Sudden abnormal noises are heard.
- Exhaust is black.
- Warning lamp for engine oil lights up during operation.

IMPORTANT :

- In these cases, the machine must be checked and serviced by your local the KUBOTA dealer.

STARTING THE ENGINE UNDER COLD CONDITIONS



WARNING

To avoid personal injury or death:

- Make sure that the armrests are in the "Raised" position during warm up.

Start the engine in the following manner;

1. Turn the starter switch to the "RUN" position (glow position) and hold until the indicator lamp has gone out.
2. Move the starter switch to the "START" position; to crank and start engine at slow idle.
3. Release the starter switch after the engine has started; it will automatically return to the "RUN" position.

IMPORTANT :

- Let the engine warm up after start-up for approx. 10 minutes under no load conditions. If the hydraulic fluid temperature is too low, the operations or the function of the pressure sensors will be affected.
Do not operate the machine under full load before the engine has warmed up enough.
- To protect the machine at low temperatures, the machine is equipped with engine rpm limit control. When the engine rpm is limited, the warning lamp (amber) starts blinking. If the engine rpm fails to rise enough after warm-up, operate the machine to help the engine to warm up more.

STOPPING THE ENGINE



WARNING

To avoid personal injury or death:

- Do not keep the bucket or attachments in the lifted position, as a person could accidentally touch the levers and pedal and cause serious accidents.
- Place the machine on flat ground.

1. After slowing the engine to idle, turn the key to "STOP" position.
2. Remove the key.

STARTING WITH AN AUXILIARY BATTERY



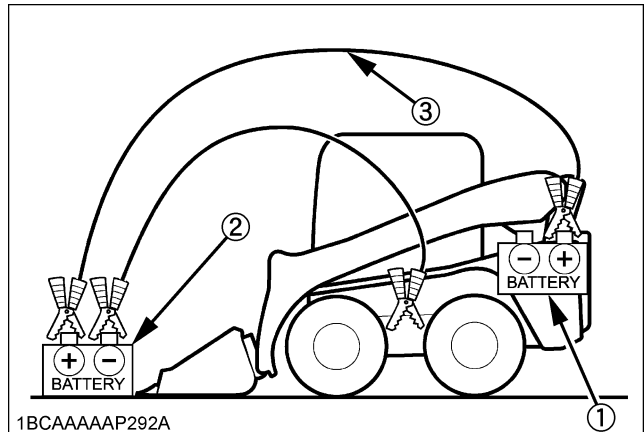
WARNING

To avoid personal injury or death:

- Battery gases can explode.
Do not smoke and keep sparks and flames away.
- Do not start the engine with an auxiliary battery if machine battery is frozen.
- Do not connect the black jumper cable to the negative (-) terminal of the machine battery.

■ Observe Following Guidelines when Starting with an Auxiliary Battery

1. Bring the helping machine with the same battery voltage as near as possible to the machine.
THE MACHINES MUST NOT COME IN CONTACT WITH EACH OTHER.
2. Bring the levers and pedal of both machines in the neutral position.
3. Wear eye protection and rubber gloves.
4. Ensure the vent caps are securely in place (if equipped).
5. Connect the terminal of the red jumper cable with the plus (+) terminal of the low battery and connect the other end of the cable to the plus (+) terminal of the auxiliary battery.
6. Connect the black negative cable to the minus (-) terminal of the auxiliary battery.
7. Connect the other end of the black cable (coming from the auxiliary battery) to a conductive part of the machine frame as far away as possible from the low battery.
8. Start the engine of the helping machine and let it run for a while. Start the machine with the low battery.
9. Disconnect the jumper cables in the reverse sequence.



- 1BCAAAAAP292A
- (1) Low battery
 - (2) Auxiliary battery
 - (3) Jumper cables

IMPORTANT :

- This machine has a negative (-) ground 12 Volt starting system.
- Only use the same voltage when using an auxiliary battery.
- Using a higher voltage will cause serious damage to the electrical system. When using an auxiliary battery, only the compatible (same) voltage is permissible.

OPERATION OF THE MACHINE

RUNNING-IN OF THE MACHINE

The operation and care of the new machine influences its life span. Your new machine has been carefully checked and tested before leaving the factory. In spite of this, all movable components must run-in during the first 50 work hours. Do not work with full rpm's and full loads during this period. It is most important to run-in your machine properly in order to achieve its full performance and longevity. During the running-in, the following points should be adhered to in all cases.

■ Do not Work with Full Engine Rpm's or Full Loads during the First 50 Working Hours

- Let the engine warm up sufficiently in the cold season.
- Do not let the engine rev-up more than necessary.

■ Oil Change in the Run-in Stage

The lubrication oil plays a specific and important role during the run-in phase of the machine. The numerous movable parts are not yet run-in, so many fine metal particles can be generated and may cause damage and shorten the life of many components. Pay attention to the oil-change intervals and complete them sooner than later. See "REGULAR CHECKS AND MAINTENANCE WORK" section for more details on the oil-change intervals.

STARTING



WARNING

To avoid personal injury or death:

- Mount the machine and dismount the machine only at locations that have steps and/or handholds.
Before you mount the machine, clean the steps and the handholds.
- Start the machine only from the operator's seat. Never short across the starter terminals or across the batteries.
Shorting could damage the electrical system by bypassing the engine neutral start system.
- Inspect the condition of the seat belt and the mounting hardware.
Replace any parts that are worn or damaged.
Do not use a seat belt extension on a retractable seat belt.
- Adjust the seat so that full pedal travel can be achieved with the operator's body against back of the seat.

- Make sure the machine is equipped with a lighting system that is adequate for the job conditions.
Make sure all machine lights are working properly.
- Before you start the engine and before you move the machine, make sure that no one is underneath, on, or close to the machine.

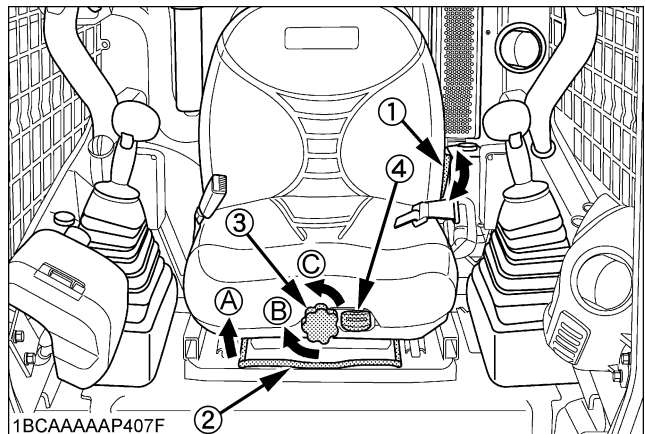
■ Adjusting the Operator's Seat



WARNING

To avoid personal injury or death:

- Replace the operator's seat with a new one if damaged and/or holes are present. Water or dust could penetrate the hole and cause the erroneous OPC switch operation.
- Make sure that the seat is completely secured after each adjustment.



- | | |
|--------------------------------|---|
| (1) Backrest tilt adjust lever | (A) "UNLOCK" |
| (2) Travel adjust lever | (B) "Turn clockwise for a heavier operator." |
| (3) Weight adjust knob | (C) "Turn counterclockwise for a lighter operator." |
| (4) Ride indicator | |

◆ Travel adjustment

Pull the travel adjust lever in the direction of [A] and slide the seat backward or forward, as required. The seat will lock in position when the lever is released.

◆ Weight and height adjustment

The weight adjustment knob is turned clockwise for heavier operators.

◆ Tilt adjustment

Pull the lever up to adjust the angle of the seat back.

■ Seat Belt



WARNING

To avoid personal injury or death:

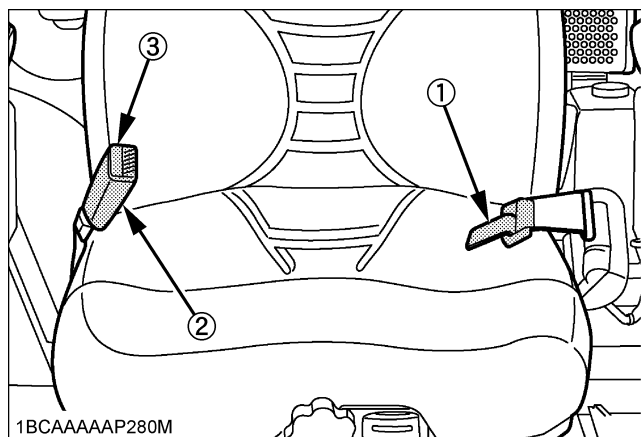
- Always use the seat belt with a ROPS/FOPS protection structure. Adjust the seat to the optimal position and buckle up.
- Always fasten the seat belt securely before starting the engine.

◆ Fastening the seat belt

1. Pull the seat belt from the retractable (left) side of the seat.
2. Insert the fixture into the socket at the right side of the seat until it clicks deep into position.

◆ Releasing the seat belt

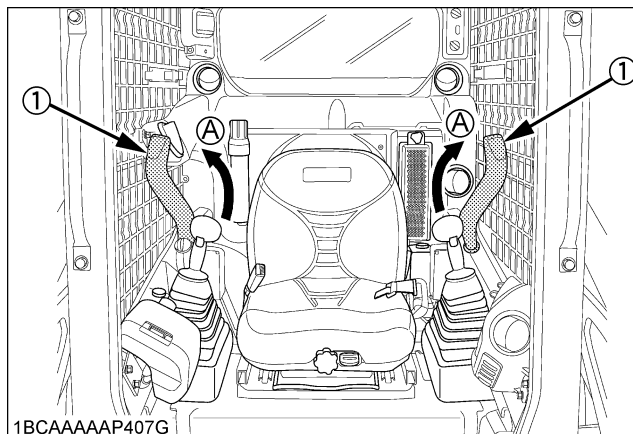
1. Press the red button of the socket to release the seat belt.
2. The seat belt reels itself and gets retracted to the left side.



- (1) Seat belt
(2) Socket
(3) Button

■ Armrest

Move the armrests to the "RAISED" position to lock out the hydraulic and electric systems.



(1) Armrest

(A) "RAISED" position

NOTE :

- When the armrests are moved to the "RAISED" position, the parking brake will engage and the hydraulic and operation system will be locked. Move the armrests to the "LOWERED" position and push the hydraulic unlock switch in order to activate the hydraulic controls.
- When you start the engine, the hydraulic lock must be disengaged so that the hydraulic controls are activated. If the armrests are raised and then lowered during the operation, you must disengage the hydraulic lock so that the hydraulic controls are activated.

TRAVELING



WARNING

To avoid personal injury or death:

- Before starting the engine, make sure that no one is near the machine.

IMPORTANT :

- When the left control (traveling) lever is in neutral position, make sure that the machine does not creep forward or backward. If the machine does not remain stationary with the left control (traveling) lever in neutral position, consult your local KUBOTA dealer.

■ Forward and Backward Travel

The control lever is on the left side in front of the seat.

Move the lever smoothly.

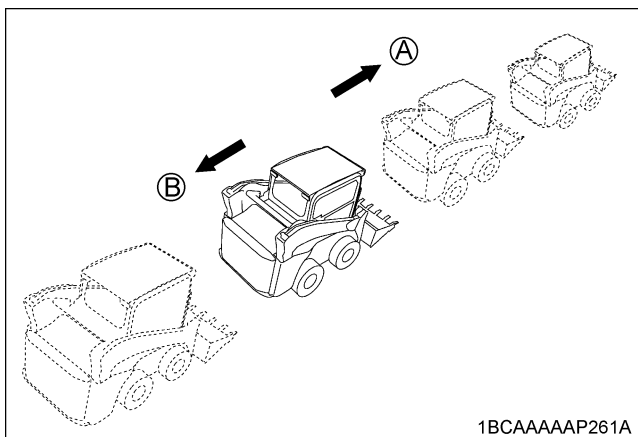
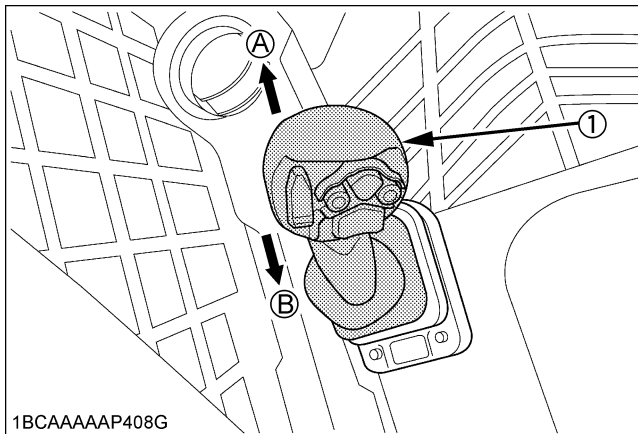
Avoid sudden starting and stopping.

◆ To move forward:

Push the left control (traveling) lever forward.

◆ To move backward:

Pull the left control (traveling) lever backward:



(1) Left control (traveling) lever (A) "FORWARD"
(B) "BACKWARD"

NOTE :

- When the machine begins to travel "BACKWARD", the back-up alarm starts sounding.

TURNING



WARNING

To avoid personal injury or death:

- Before changing direction, beware of people in the work area.
- Make sure the bucket or attachment is lowered sufficiently.

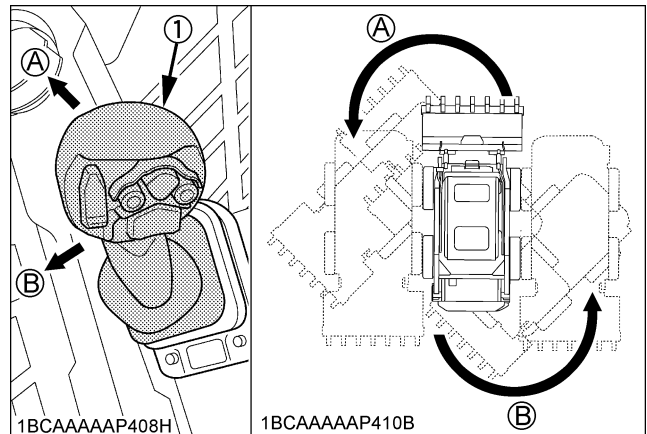
■ Pivot Turn

◆ To turn forward to the left:

Tilt the left control (traveling) lever forward to the left.

◆ To turn backward to the left:

Turn the left control (traveling) lever backward to the left.



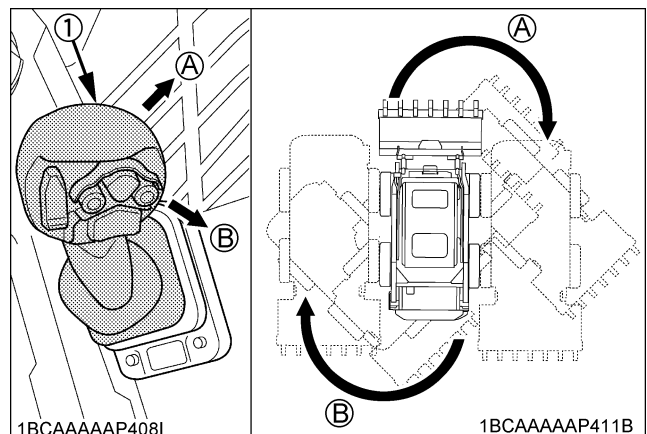
(1) Left control (traveling) lever (A) Turn forward to the left
(B) Turn backward to the left

◆ To turn forward to the right:

Tilt the left control (traveling) lever forward to the right.

◆ To turn backward to the right:

Turn the left control (traveling) lever backward to the right.



(1) Left control (traveling) lever (A) Turn forward to the right
(B) Turn backward to the right

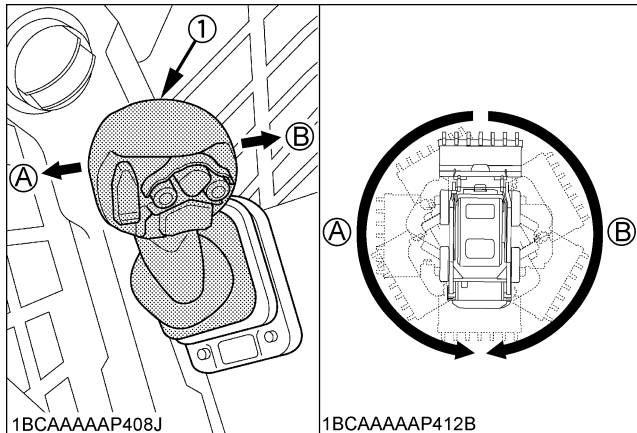
Spin Turn

◆ **To spin left:**

Tilt the left control (traveling) lever to the left.

◆ **To spin right:**

Tilt the left control (traveling) lever to the right.



1BCAAAAAP408J 1BCAAAAAP412B
 (1) Left control (traveling) lever (A) Spin left
 (B) Spin right

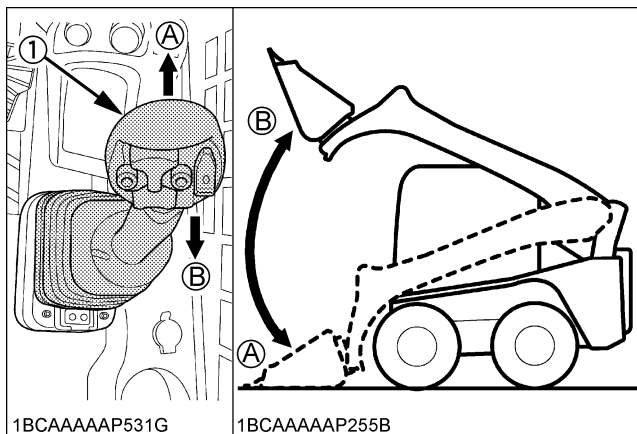
OPERATION OF THE LIFT ARMS

◆ **To lower the lift arms:**

Push the right control (front operating) lever forward:

◆ **To raise the lift arms :**

Pull the right control (front operating) lever backward.



1BCAAAAAP531G 1BCAAAAAP255B
 (1) Right control (front operating) lever (A) "LOWER"
 (B) "RAISE"

NOTE :

- To stop the lift arm operation, return the right control (front operating) lever to the neutral position.

WARNING

To avoid personal injury or death:

- Do not exceed the rated operating capacity of the unit. If loads exceed this operating capacity, the unit can experience a hydraulic imbalance when half or medium "lift arms raise" and "bucket roll back" or "auxiliary hydraulic control" commands are input together, which can result in the lift arms lowering slowly. If you begin to experience this condition, either place the lift arms control in "neutral" or input full "raise" control, and lift arms lowering will cease.

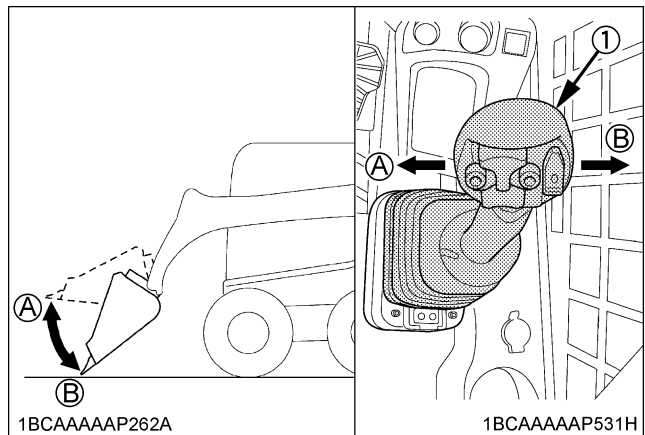
OPERATION OF THE BUCKET

◆ **To roll bucket back:**

Tilt the right control (front operating) lever to the left.

◆ **To dump bucket:**

Tilt the right control (front operating) lever to the right.



1BCAAAAAP262A 1BCAAAAAP531H
 (1) Right control (front operating) lever (A) "ROLL BACK"
 (B) "DUMP"

NOTE :

- To stop the bucket operation, return the right control (front operating) lever to the neutral position.

WARNING

To avoid personal injury or death:

- Do not exceed the rated operating capacity of the unit. If loads exceed this operating capacity, the unit can experience a hydraulic imbalance when half or medium "lift arms raise" and "bucket roll back" or "auxiliary hydraulic control" commands are input together, which can result in the lift arms lowering slowly. If you begin to experience this condition, either place the lift arms control in "neutral" or input full "raise" control, and lift arms lowering will cease.

AUXILIARY HYDRAULIC CONTROL



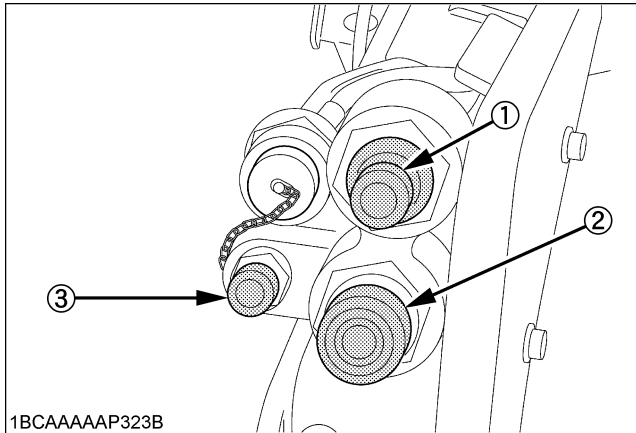
WARNING

To avoid personal injury or death:

- Stop the engine and relieve pressure before connecting or disconnecting lines.
- Do not use your hand to check for leaks.

◆ Connecting

1. Remove dirt or debris from the surface of both the male and female couplers, and from the outside diameter of the male coupler. Visually check the couplers for corroding, cracking, damage or excessive wear. If any of these conditions exist, the coupler must be replaced.
2. Push the quick couplers tightly and hold for a few seconds, the pressure is relieved automatically. (Pressure relief system.)
3. Connect the couplers.



- (1) Male coupler
- (2) Female coupler
- (3) Male case drain coupler

IMPORTANT :

- Ensure that hydraulic hoses connecting the attachment to the vehicle are long enough.
- Otherwise the couplers could be damaged due to frequent side loading and tension during use.

◆ Disconnecting

1. Push the quick couplers tightly and hold for a few seconds, the pressure is relieved automatically. (Pressure relief system)
2. Detach the couplers.



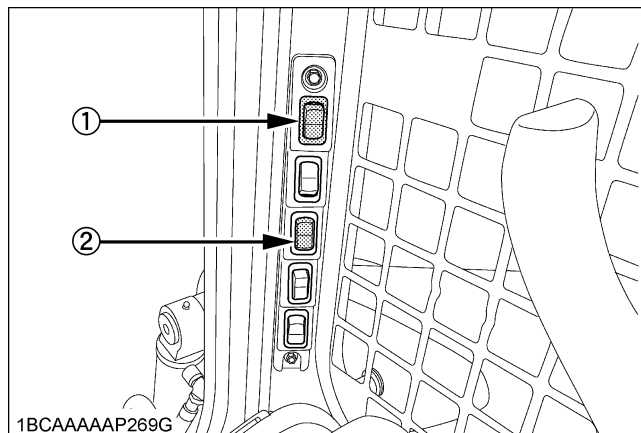
WARNING

To avoid personal injury or death:

- Do not exceed the rated operating capacity of the unit. If loads exceed this operating capacity, the unit can experience a hydraulic imbalance when half or medium "lift arms raise" and "bucket roll back" or "auxiliary hydraulic control" commands are input together, which can result in the lift arms lowering slowly. If you begin to experience this condition, either place the lift arms control in "neutral" or input full "raise" control, and lift arms lowering will cease.

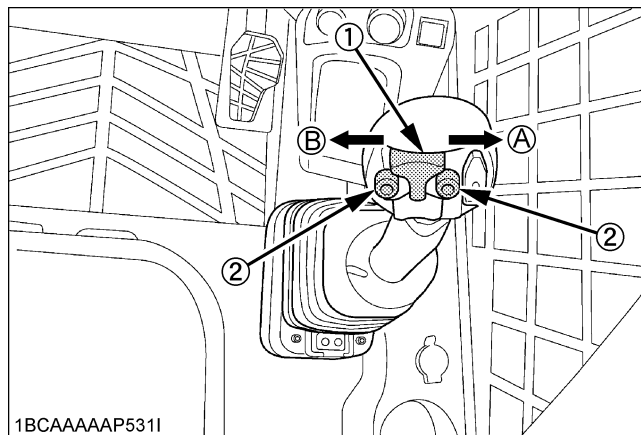
■ Auxiliary Hydraulic Control Operation

1. Start the engine (refer to "OPERATION OF THE ENGINE" and "OPERATION OF THE MACHINE" section).
2. Press the hydraulic unlock switch.
3. Press the AUX port switch.



- (1) Hydraulic unlock switch
(2) AUX port switch

4. Tilt the AUX port variable switch toward Side A, and oil starts flowing out of Male port.
5. Tilt the AUX port variable switch toward Side B, and oil starts flowing out of Female port.



- (1) AUX port variable switch (A) "Male port"
(2) AUX hold switch (B) "Female port"

NOTE :

- The oil flow rate responds to the tilt of AUX port variable switch.
- Press the AUX hold switch, and the oil continues to flow at its highest flow rate. To interrupt it, press the switch again.
(See "AUX Hold Switch" in "CHECKS BEFORE START" section.)

6. If the tank must be drained, depending on which attachment is in use, use the male case drain port.

[High-Flow model only]



WARNING

To avoid personal injury or death:

- Be careful not to use any High-Flow incompatible attachment in the High-Flow model. Otherwise the attachment may be damaged.

IMPORTANT :

- In the High-Flow mode, use side A of the AUX port variable switch to operate attachment, and High-Flow oil passes through the male port.
- When using side B of the AUX port variable switch, standard-flow oil passes through the female port.

NOTE :

- The oil flow rate responds to the tilt of AUX port variable switch.
- To set continuous auxiliary flow, press and release AUX hold switch without moving the AUX port variable switch.

As soon as AUX hold switch is released, move the AUX port variable switch full stroke to the desired direction.

This will set the auxiliary hydraulics to run at full flow in the direction selected.

If continuous flow is active and the auxiliary proportional switch is moved in either direction or the AUX hold switch is pressed, continuous flow will be cancelled.

7. If the tank must be drained, depending on an attachment in use, use the male case drain port.

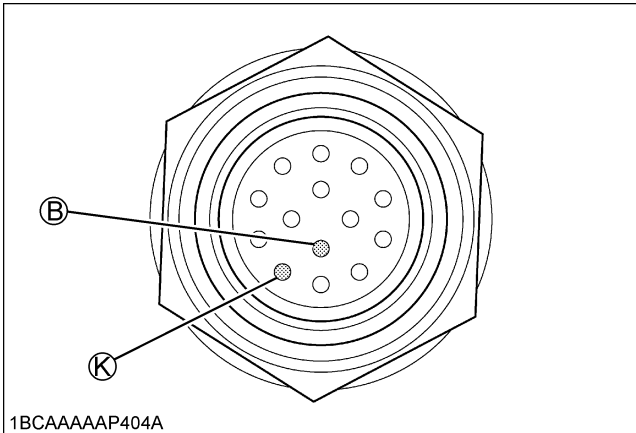
ATTACHMENT CONTROL DEVICE (OPTION)

This option is used to feed electrical power for an attachment (to drive a valve, for instance).

With the AUX port ready for use, power can be supplied. K: +12V and B: GND of the 14-pin coupler attached on the arm (see below)

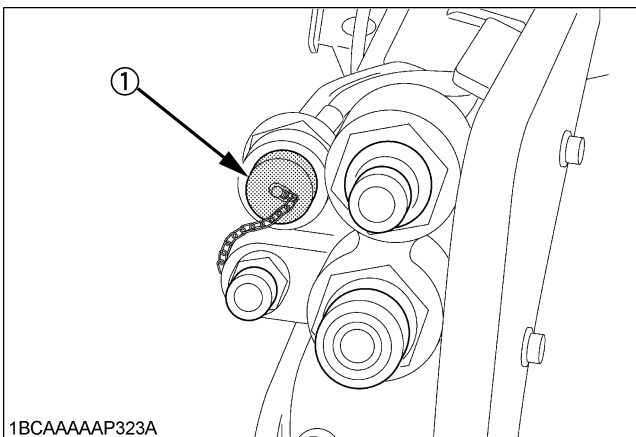
NOTE :

- The K (+12V) of the 14-pin coupler turns on when the starter switch is in "RUN" position.



◆ Operation

Press the numbered electrical control switch on the left or right lever that corresponds with the desired valve function, to be powered at +12V

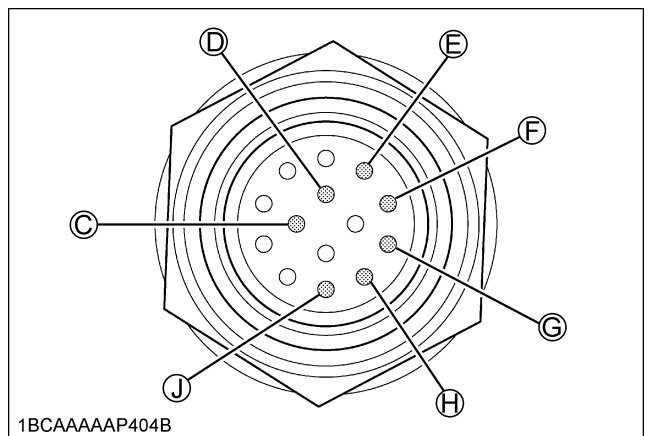
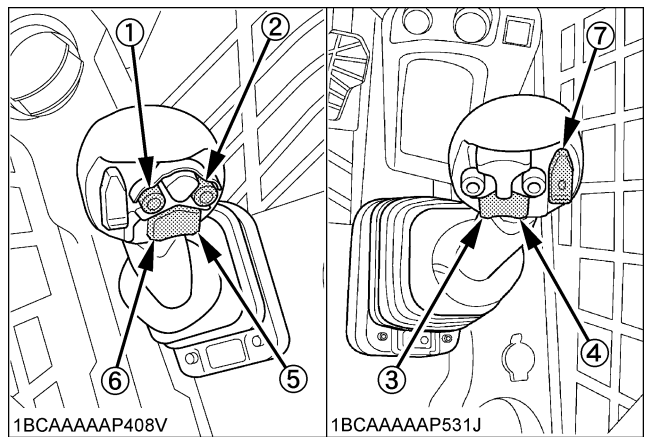


(1) 14-pin coupler

◆ 14-pin coupler harness connection chart

REF. No.	Pin Port	REMARKS
-	B	GND
1	C	AUX 1st func.
2	D	AUX 1st func.
3	E	AUX 2nd func.
4	F	AUX 2nd func.
5	G	AUX 3rd func.
6	H	AUX 3rd func.
7	J	AUX electrical mode change
-	K	+12 V

REF. No. means the same number of switches of next figure.



NOTE :

- AUX 3rd func. is momentary action.
- AUX electrical mode change is alternate action.

MECHANICAL QUICK-HITCH

■ Attaching Attachments

This machine utilizes a quick-hitch for easy connection and disconnection of various attachments.

By replacing the front attachments, this machine can be used in agriculture, raising stock, landscaping, gardening and snow removal as well as general civil engineering and construction work.



DANGER

To avoid personal injury or death:

- Use of attachments that do not comply with ISO24410 or the improper positioning of lever(s) or non-protrusion of pin(s) may result in detachment of the attachment or deformation, causing loss of performance, personal injury or death.



WARNING

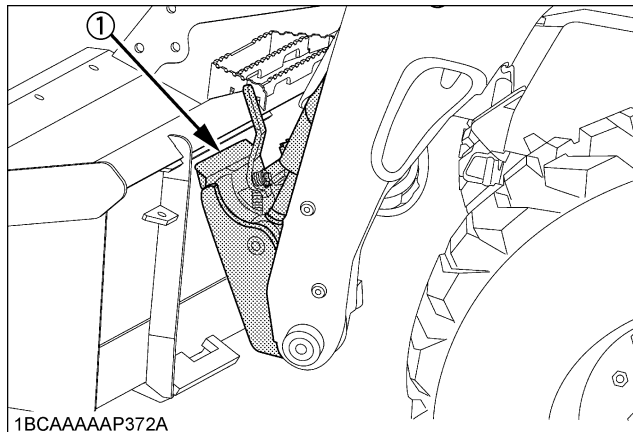
To avoid personal injury or death:

- After performing these procedures, make sure the attachment is securely attached to the quick-hitch, or the attachment may become detached.
- Before handling the control lever, you should set the quick-hitch lever to the "UNLOCKED" position and the parking brake switch to the parked position, ensuring the lift arm is lowered and all control levers and pedal are in their neutral positions.

NOTE :

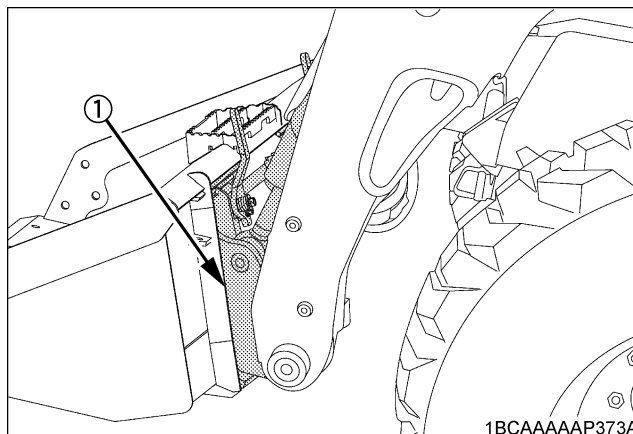
- Attachments should be located on a level, firm surface when attaching and detaching them from the quick-hitch.

1. To mount an attachment, pull the levers of the quick-hitch lock pins to the "UNLOCKED" position. The quick-hitch levers must be all the way up to ensure that the lock pins are fully retracted.
2. Position the machine squarely in front of the attachment and tilt the quick-hitch forward with the tilt cylinders.



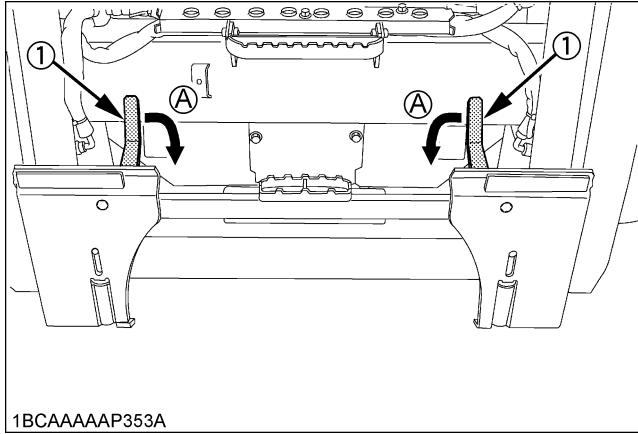
(1) Quick-hitch

3. Ease the quick-hitch mounting plate into the saddle of the attachment.
4. Roll the quick-hitch back using the tilt cylinders and raise the lift arms slightly. The back of the attachment should rest against the quick-hitch mounting plate and the weight of the attachment should be supported by the lift arms.



(1) Quick-hitch

- When the attachment is properly seated in the saddle and against the front of the quick-hitch mounting plate, turn off the engine and set the parking brake. Push the quick-hitch levers to the fully "LOCKED" position. Verify both lock pins are completely engaged in the base of the attachment.



(1) Quick-hitch lever (A) "LOCK"

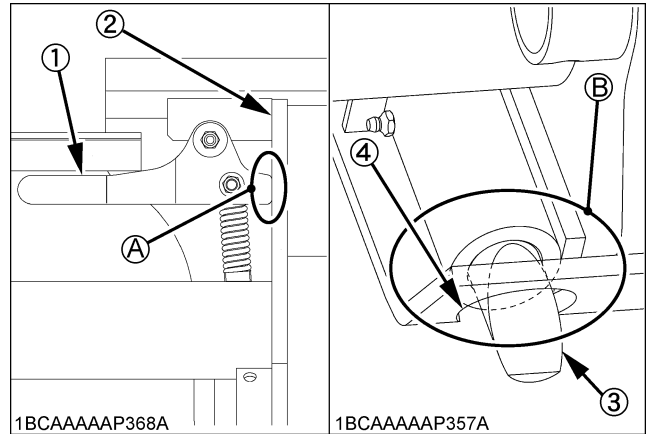
- With an attachment in place, lift the lift arms and empty out the bucket. Tilt the bucket downwards and verify the lock pins are fully engaged.



DANGER

To avoid personal injury or death:

- The following engagement points are critical.
 - The lock pins of the quick-hitch have to protrude into and through the pin slots of the attachment on both sides. It is critical that the pins are in good condition and without visible signs of wear or damage and that the operator align the quick-hitch with the attachment to allow the pins to go through the pin slots.
 - Both levers have to be pushed down until the levers contact the ear plates near the points where the pin bolt goes through the lever (A).
 - Do not operate the machine or attachment unless all of the above conditions are met.



- (1) Lever
 (2) Ear plate
 (3) Lock pin
 (4) Pin slot
- (A) "The lever contacts the ear plate at the points."
 (B) "The pin protrudes through the slot."

- Visually verify when pushing the quick-hitch levers into locked position that the lock pins protrude through the slot.
- When attaching different attachments visually inspect for broken or damaged pins. If broken or damaged pins are found, replace before using. Use of broken pins may result in detachment or deformation, causing loss of performance, personal injury or death.
- You are now ready to use the attachment.



WARNING

To avoid personal injury, death or machine damage:

- Never operate or transport attachments which are not attached completely.
- Always replace damaged hardware immediately.

■ Detaching Attachments

- Lower the attachment to ground level with the attachment slightly in the rolled back position. Stop the engine (the parking brake automatically engages.).
- Disconnect the attachment's electrical harness and hydraulic lines from the lift arms if equipped.
- Pull the quick-hitch lever up to the unlocked position to release the lock pins.
- While sitting in the machine operator's seat, start the engine and slowly move the bucket operating device to the "DUMP" position until the attachment is pushed away from the quick-hitch.
- Lower the lift arms so that the quick-hitch mounting plate clears the attachment saddle.
- Back away from the attachment slowly.
- If an attachment is not going to be detached from the quick-hitch immediately, push the lever of the quick-hitch to the locked position to prevent damage to the lever assembly.

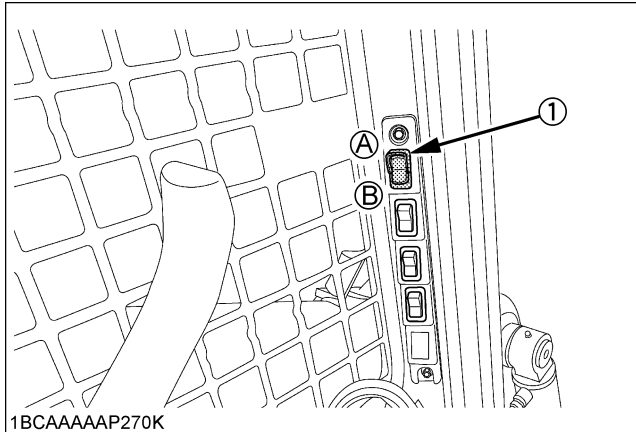
HYDRAULIC QUICK-HITCH (OPTION)

■ Attaching Attachments

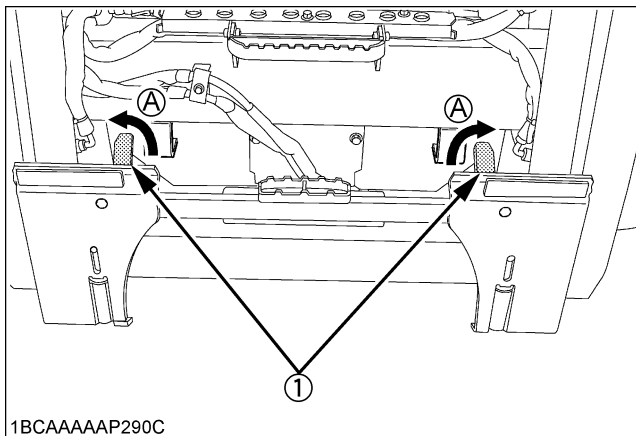
NOTE :

- Attachments should be located on a level, firm surface when attaching and detaching them from the quick-hitch.

1. Push the hydraulic quick-hitch switch in the "UNLOCKED" position and hold it until the levers are up ("UNLOCKED" position) completely.

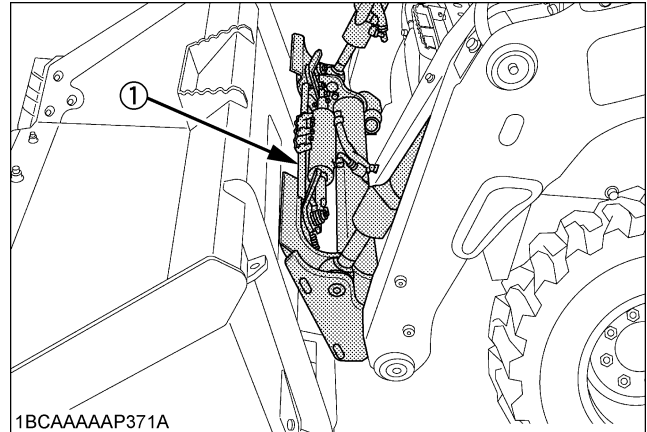


(1) Hydraulic quick-hitch switch (A) "UNLOCK" position (B) "LOCK" position



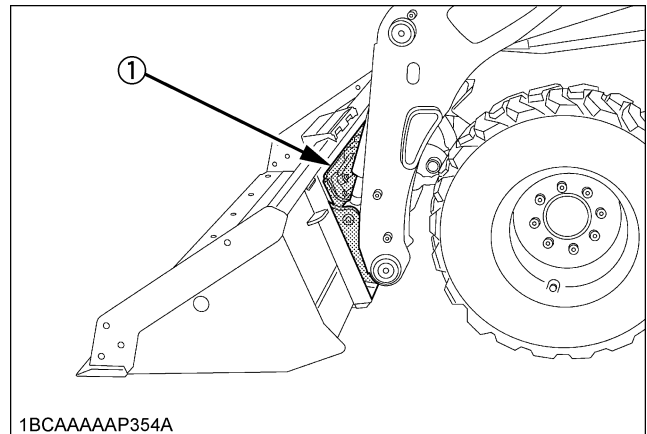
(1) Quick-hitch lever (A) "UNLOCK"

2. Position the machine squarely in front of the attachment and tilt the quick-hitch forward with the tilt cylinders.



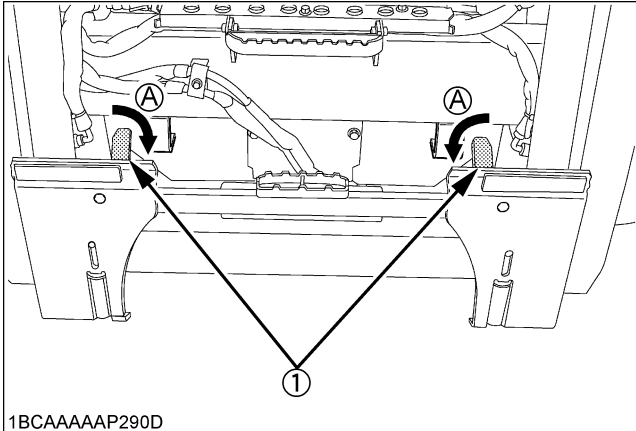
(1) Quick-hitch

3. Ease the quick-hitch mounting plate into the saddle of the attachment.
4. Roll the quick-hitch back using the tilt cylinders and raise the lift arms slightly. The back of the attachment mounting plate and the weight of the attachment should be supported by the lift arms.



(1) Quick-hitch

- When the attachment is properly seated in the saddle and against the front of the quick-hitch mounting plate, push and hold the hydraulic quick-hitch switch in locked position until the levers are fully in locked position. Verify both lock pins are completely engaged in the base of the attachment.



(1) Quick-hitch lever (A) "LOCK"

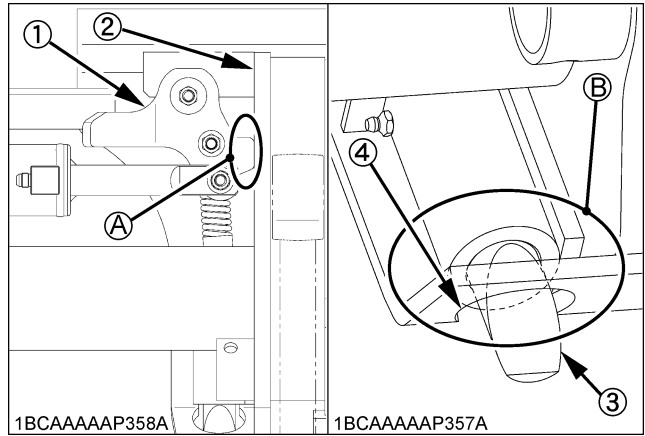
- With an attachment in place, lift the lift arms and empty out the bucket. Tilt the bucket downwards and verify the lock pins are fully engaged.



DANGER

To avoid personal injury or death:

- The following engagement points are critical.
 - The lock pins of the quick-hitch have to protrude into and through the pin slots of the attachment on both sides.
It is critical that the pins are in good condition and without visible signs of wear or damage and that the operator align the quick-hitch with the attachment to allow the pins to go through the pin slots.
 - Both levers have to be pushed down until the levers contact the ear plates near the points where the pin bolt goes through the lever (A).
 - Do not operate the machine or attachment unless all of the above conditions are met.



- (1) Lever
- (2) Ear plate
- (3) Lock pin
- (4) Pin slot
- (A) "The lever contacts the ear plate at the points."
- (B) "The pin protrudes through the slot."

- Visually verify when pushing the quick-hitch levers into locked position that the lock pins protrude through the slot.
- When attaching different attachments visually inspect for broken or damaged pins. If broken or damaged pins are found, replace before using. Use of broken pins may result in detachment or deformation, causing loss of performance, personal injury or death.
- You are now ready to use the attachment.



WARNING

To avoid personal injury, death or machine damage:

- Never operate or transport attachments which are not attached completely.
- Always replace damaged hardware immediately.

■ Detaching Attachments

- Lower the attachment to ground level with the attachment slightly in the rolled back position. Stop the engine. (The parking brake automatically engages.)
- Disconnect the attachment's electrical harness and hydraulic lines from the lift arms if equipped.
- Start the engine and push the hydraulic quick-hitch switch in "UNLOCKED" position. Hold it to make sure the quick-hitch levers are up.
- While sitting in the operator's seat, slowly move the bucket operating device to the "DUMP" position until the attachment is pushed away from the quick-hitch.
- Lower the lift arms so that the quick-hitch mounting plate clears the attachment saddle.
- Back away from the attachment slowly.

IMPORTANT INFORMATION ON MACHINE OPERATION

- Do not operate machine on loose rock or gravel (hard or soft).
- Avoid moving machine when lift arms and bucket are in the raised position. If you must move the machine when they are raised, take care to travel at low speeds in order to maintain control of the machine at all times.
- Always avoid working on an incline as the machine can become unstable and rollover, causing serious injury or death.
- Whenever the machine is in motion, keep the bucket as close to the ground as possible. Never change directions when the bucket is in the raised position.
- Always move the machine at speeds that are appropriate to the conditions. Take particular care if you are ever moving through areas where view may be obstructed or when transporting hazardous material.
- Never operate the machine in the vicinity of explosive gases. Always keep exhaust from machine away from any combustible material.
- Never turn or spin the machine at high speed.
- Never approach an incline horizontally, which can cause the tire to slide off and cause excessive wearing of tires.
- Never exceed the operating capacity of the machine.
- Never use the machine to move material or perform work that exceeds the capacity of the bucket or attachments.
- Never use the bucket as a hammer to drive poles or studs into the ground.
- Never attempt to dig too deeply with the bucket, which can damage the bucket or lift arms.
- Avoid hitting the bucket against rocks or similar solid material, which will damage the bucket or bucket cylinder.
- Never fully extend cylinders to perform an operation. Working while cylinders are fully extended can cause damage from excessive force.
- Never scoop or grade areas while the tilt cylinders are fully extended
Extremely heavy loads apply excessive traction force to the bucket cylinders and can cause damage. Avoid loads that are too heavy.

■ Caution While Traveling

- Running over large debris (rocks, stumps, blocks, etc.) may cause such debris to fly up and damage the machine. Avoid such debris whenever possible.
- If obstacles cannot be avoided, travel slowly over them with the bucket in the lowered position. Approach obstacles so that lined up with the center of the tires.

■ Precaution When Traveling in High Speed

- Whenever traveling over uneven ground surfaces, travel at low speed. Avoid any sudden movements with the machine such as accelerating, stopping, or turning quickly.

■ Precautions for Use of Machine Near Water

- Whenever working near water, pay particular attention not to submerge any part of the machine. Always take care to keep working machine parts out of water, especially when coming out of a shoreline, for example, at a sharp angle.
- Permissible water depth:
Never allow the machine to become submerged in water above the bottom of the body.
- If parts that require lubrication are exposed to water for long periods of time, make sure they are re-lubricated with grease to remove old grease.
- After working in the mud and in the water, make sure that there is no invasion of the soil inside the frame. If soil is deposited, you should clean the internal frame.
- Never allow the main body of the machine to become submerged in water or sand. Contact your Kubota Dealer or Service Outlet if the main body of the machine is exposed to water.

■ Precaution When Traveling on Inclines



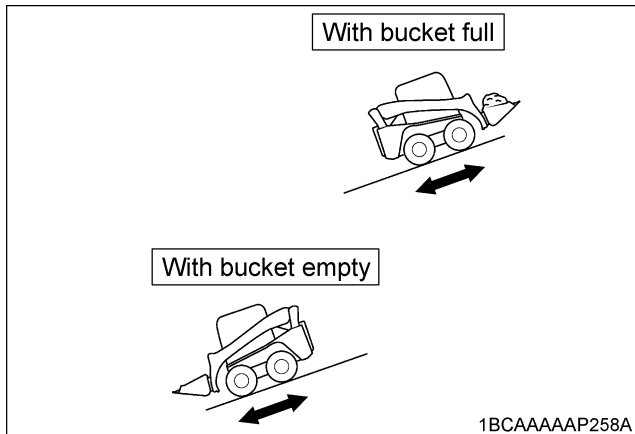
WARNING

To avoid personal injury or death:

- **Know and understand the machine capabilities and operating conditions, and never exceed any of these conditions. Keep in mind that poor or difficult working conditions may reduce the capability of the machine, requiring a reduction in speed to maintain stability.**
- Always lower the bucket to a height of 20 to 30 cm from the ground whenever traveling on an incline. Lower the bucket completely to the ground and stop the machine in case of emergency.
- Always travel at low speed when moving on an incline. When going up or down an incline, keep the traveling speed switch low speed position. Reduce the engine speed (rpm) when moving down an incline and set the engine speed to half or less using the engine speed control dial.
Traveling too fast down an incline can lead to loss of control and accident or injury.
- Always make sure the heavy end of the machine is facing up the incline when traveling either direction on a hill.
- Whenever traveling on an incline, be careful of the possibility of sliding sideways or rolling over.
- Never travel down an incline in reverse.

- Never approach an incline horizontally or diagonally. Always return to a flat surface and redirect the machine.
- Beware of unstable and slippery surfaces such as grass, leaves, wet metal or ice. The machine can slide very easily even on low grade inclines.

◆ **Orientation of machine when traveling on an incline**



- Braking is automatic with the HST system when the left control (traveling) lever is in the neutral position. Push the parking brake switch or raise armrests for parking brake.
- ◆ **What to do when engine stops suddenly**
- If the engine stops suddenly when moving down an incline, put control levers into neutral, stop the machine and then restart in the normal manner.

■ **Parking on an Incline**

- It is best to park the machine on firm, level ground using the parking brake but if you must park the machine on an incline, make sure you block it to prevent any movement.
- Make sure the machine is highly visible when parking near streets by using barriers, appropriate caution signs, lights, etc. to avoid any accident or collision with other vehicles.
- Always push the parking brake switch and raise the armrests to the "RAISED" position and stop the engine before leaving the operator's seat.
- Never leave the machine running unattended or with the lift arms raised. Whenever lift arms are raised, they MUST always be restrained using the lift arm stopper.
- Whenever leaving the machine, perform the following procedure:
 - Put control levers into neutral.
 - Reduce the engine speed using control dial.
 - Lower the bucket to the ground.
 - Push the parking brake switch.
 - Move the armrests to the "RAISED" position.
 - Turn off the engine and remove the key.

■ **Prohibited Actions**

Actions that MUST NOT be performed with the machine:

- Never move, transport material or operate the machine in the following places:
Mud, broken stone, jagged or unstable base rock, iron beams, iron scrapes, iron sheets, etc. Navigating, turning and moving the machine over sharp material may damage or break the tires.
- Do not use near the oceanfront where salt water can corrode the various parts of the machine.
- Do not attempt to move material where the surface is unstable and could cause slippage in the tires. Unnecessary and excessive slipping of tires will damage and cause abnormal wearing of the tires.

LIFTING THE MACHINE



DANGER

To avoid serious injury or death:

- The instructions for safe lifting are described here. Read these instructions carefully before lifting the machine. Make sure that the operating personnel read the operator's manual carefully before lifting.

IMPORTANT :

- Select a firm level surface, lower the working equipment to the ground, stop the engine, set arm rest to locked position and apply parking brake switch so the unit cannot roll.
- Do not lift loads that exceed the maximum rated capacity of the hoist and attaching hardware.
- Do not enter and do not allow others to enter the working area under the suspended load and do not move the load over people. The load must only be moved in an area where the equilibrium can be maintained.
- Always inspect the attaching hardware, including chains, hooks and lifting devices before each use. Do not use any worn or damaged attaching hardware. Do not use if the safety latch is missing.
- Do not use attaching hardware, including chains and hooks, in extreme temperature or other environmental conditions that exceed the manufacturer's specifications.
- Load disengagement can cause severe injury or death. The use of a hook with a safety latch does not preclude inadvertent detachment of a slack sling load from the hook. Visual verification of proper hook or shackle engagement is required in all instances.
- Comply with all Federal, State and Local regulations and safety standards before lifting the machine.
- Make sure the lifting chains and hooks are strong enough to withstand the load being lifted.
- Be sure that the hooks used have safety latch.
- Before lifting, be sure attachments are properly attached.

Model name	SSV65		SSV75	
Model Type	Open Cab	Closed Cab	Open Cab	Closed Cab
Weight * kg	3080	3200	3700	3820

* SSL weight with standard (non-hydraulic) bucket



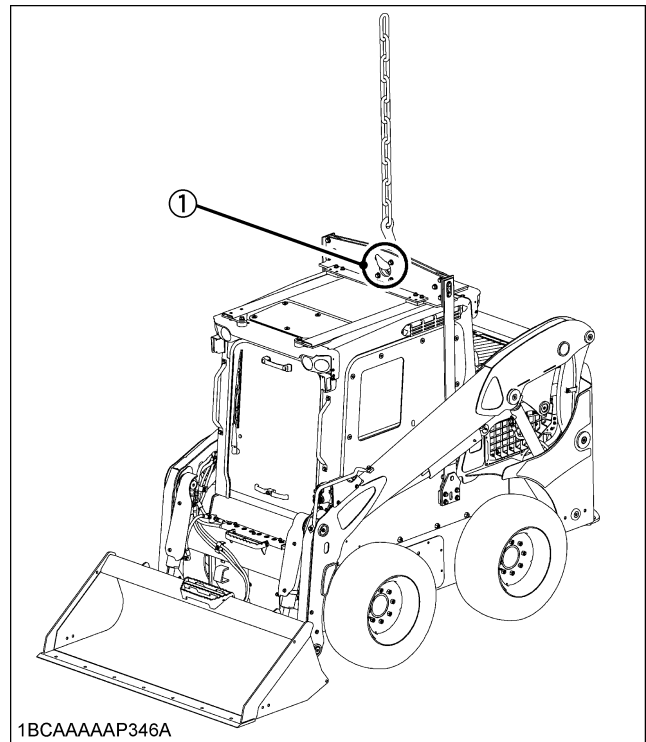
WARNING

To avoid personal injury or death:

- Do not use damaged chains, hooks and lifting devices.

The loader can be lifted with the Single-Point Lift that is available as a kit from your KUBOTA dealer.

The Single-Point Lift, supplied by KUBOTA, is designed to lift and support the KUBOTA loader without affecting rollover and falling object protection features of the operator cab.



(1) Lifting eye

◆ Procedure for lifting

1. Lift slowly and vertically.
2. Move the machine slowly into place.

TRANSPORTING THE MACHINE



DANGER

To avoid personal injury or death:

- Make sure the ramps load capacity is greater than the machine and attachment weight.
- Make sure the ramps are clean, not damaged and properly secured to the transport bed.
- Position the machine so that the heaviest end of the machine is going up the ramps first.
- No directional changes should be made when the machine is on the ramp. Should a change of direction be necessary, drive off the ramp completely and make the turn.
- When the machine reaches the point between the ramps and the bed, move very slowly until the machine reaches the horizontal position on the bed.

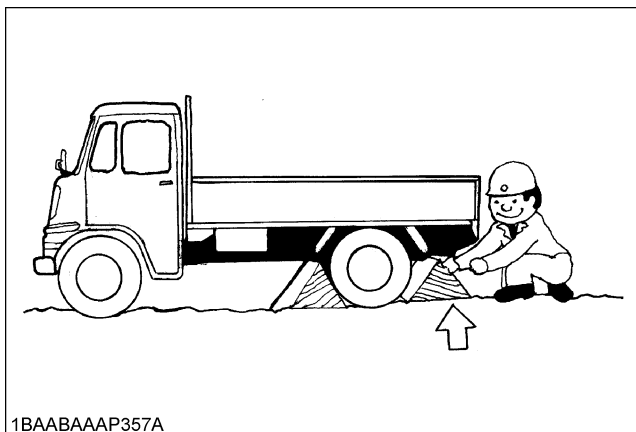
LOADING THE MACHINE ON A TRANSPORT VEHICLE



WARNING

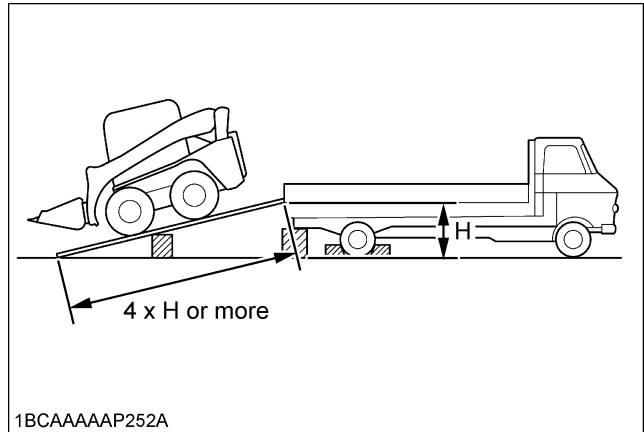
To avoid personal injury or death:

- When preparing to load or unload the machine, follow the below steps;
 - 1) Use a truck and trailer with sufficient size and weight capacity to transport the machine with attachment. Use of truck or trailer with an underrated capacity can cause unpredictable handling and loss of control. Always comply with government transportation laws and regulations.
 - 2) Apply the parking brakes on the truck, and block the drive wheels both sides as shown below.



1BAABAAP357A

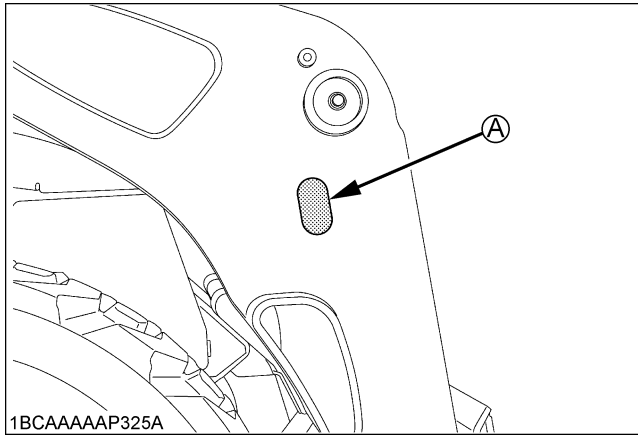
- 3) Use mounting brackets to secure ramps properly to the truck or trailer.
- 4) Determine and use the correct length of ramps to avoid a steep angle of approach as shown below.
- 5) If necessary, support the rear end of the bed to prevent the truck / trailer front from rising.



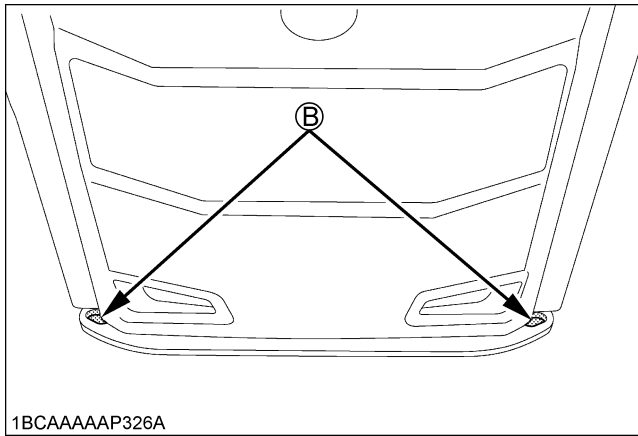
1BCAAAAP252A

- 6) Align the machine with the ramps before traveling on ramps and if the ramps are wet, use caution during loading.
- 7) Load the machine with an empty bucket or no attachment installed, with the rear of the machine going up the ramp first.
- 8) If the bucket or attachment is installed, avoid the bucket or attachment contact with ramps during travel.

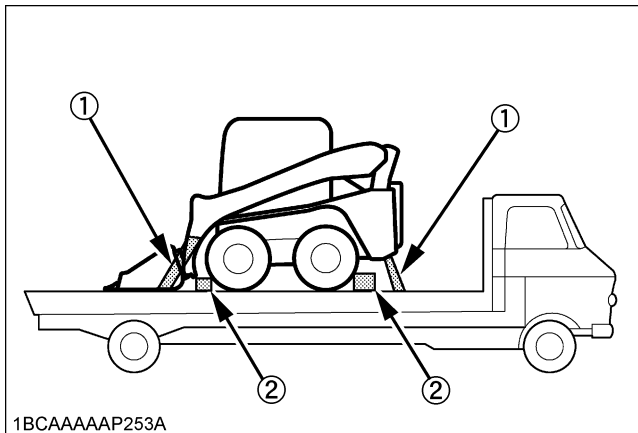
- 9) Once the machine is loaded, lower the bucket or attachment completely.
- 10) Stop the engine, remove the key and set the parking brake.
- 11) Block the tires and tie down the machine using 2 tie-downs at the front and 2 tie-downs at the rear.



(A) Front tie-down locations (both sides)

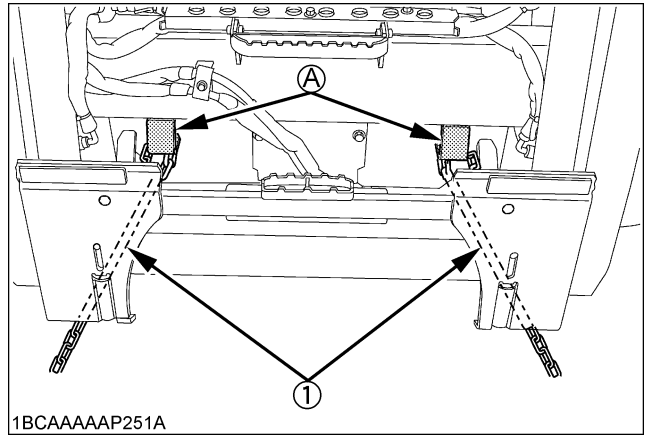


(B) Rear tie-down locations



(1) Chain or strap
(2) Blocks

- 12) Depending on the attachment installed, the loader arms may not come in contact with rest stop; therefore it may be necessary to use the alternate front tie-down for securement of the machine. Use two separate straps or chains as shown below and secure the attachment with a separate strap or chain. Consult your government transportation laws and regulations.



(1) Chain or strap

(A) Alternate front tie-down

- 13) When installing chains or strap from machine tie-down location to truck or trailer tie-down points, maintain proper angles to provide lateral and downward securement.
- 14) When using alternate or standard tie-down points, be sure to also tie-down the attachment in addition to the machine.

TOWING AN OPERABLE MACHINE

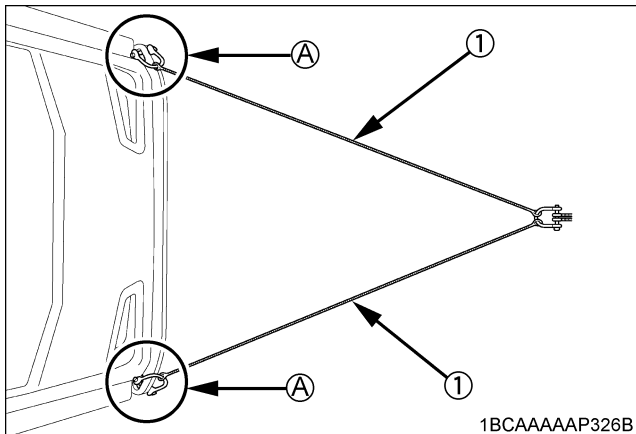


WARNING

To avoid personal injury or death:

- Tow only from both rear tie-downs as shown below.
- Towing is only allowed for a short distance at walking speed.
- Use a tow chain or rope and hardware that is rated at least 1.5 times the machine weight. Refer to "TECHNICAL DATA" section in operator's manual to find machine weight.

1. Attach towing hardware using both rear tow points and to towing machine as shown below.
2. The operator must be seated in the towed machine with seat belt connected during the recovery process and assist when towed using machine movement in the direction of towing.
3. Tow slowly at a walking pace with recovery machine and towed machine, avoid abrupt loads while towing.



(1) Chain or strap (A) Rear tow and tie-down points

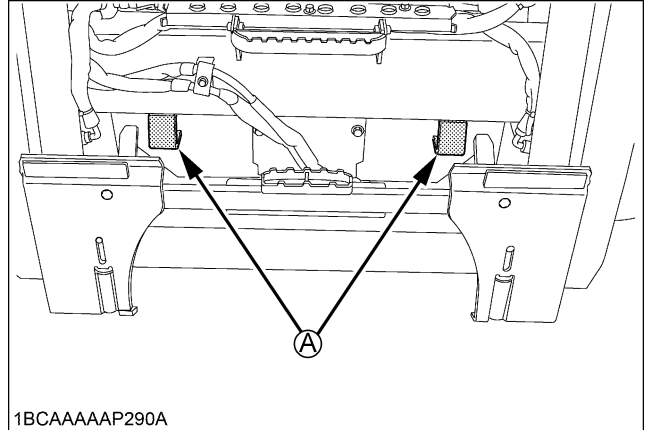
1BCAAAAAP326B



WARNING

To avoid personal injury or death:

- Do not tow this machine using the front tie-down attachment points located on each side of the lift arms or front tie-down point of machine (A).



1BCAAAAAP290A

(A) Tie-down point

TOWING AN INOPERABLE MACHINE



WARNING

To avoid personal injury or death:

- Do not tow machine without disengaging hydraulic drive system, otherwise damage to the hydraulic drive or tire system will occur.
- Follow proper procedures to disengage hydraulic drive system before towing machine. After disengaging hydraulic drive system, tow the machine following the below steps. Contact your KUBOTA dealer for more information.
- Tow only from both rear tie-downs as shown in the figure to the left.
- Towing is only allowed for a short distance at walking speed.
- Use a tow chain or rope and hardware that is rated at least 1.5 times the machine weight. Refer to "TECHNICAL DATA" section in operator's manual to find machine weight.

1. Attach towing hardware using both rear tow points and to towing machine as shown in the figure to the left.
2. Tow slowly at a walking pace with recovery machine and towed machine, avoid abrupt loads while towing.

MAINTENANCE



WARNING

To avoid personal injury or death:

- Before doing maintenance work on the machine, place the machine on a firm, flat and level surface, lower the lift arms slowly to the ground, stop the engine.

Whether the machine is properly lubricated and maintained directly determines the trouble frequency and service life of the machine. Periodically check and maintain your machine, and you will find in the long run that the jobs can be finished earlier and more economically.

Shown in the Service Interval Chart below are the hours indicated on the hour meter, practically, it will be convenient to schedule the time of inspection and maintenance according to the calendar (day, week, month) on the basis of the chart. If the machine is used in harder-than-usual working conditions, it must be checked and maintained at shorter intervals.

MAINTENANCE INTERVALS

No.	Check points		Measures	Hour meter indicator						Interval	Ref. page					
				50	250	500	1000	1500	2000					3000		
1	Coolant		check	Daily check						(every 10 hrs)	56					
			change							every 2 years	78					
2	Fuel		check	Daily check						(every 10 hrs)	56					
3	Engine oil		check	Daily check						(every 10 hrs)	57					
			change		○	○	○	○	○	○	every 250 hrs	71				
4	Hydraulic oil		check	Daily check						(every 10 hrs)	57					
			change				○		○	○	every 1000 hrs	75	*1			
5	Greasing		grease	Daily check						(every 10 hrs)	58					
6	Radiator, oil cooler and fuel cooler		check	Daily check						(every 10 hrs)	58					
7	Engine and electrical wiring		check	Daily check						(every 10 hrs)	58					
8	Water separator		drain	Daily check						(every 10 hrs)	59					
9	Washer liquid (closed cab model)		check	Daily check						(every 10 hrs)	61					
10	Battery condition		check	Daily check						(every 10 hrs)	61					
11	V-belt tension		check	Daily check						(every 10 hrs)	59					
			adjust		○	○	○	○	○	○	every 250 hrs	69				
12	Evacuator valve		check	Daily check						(every 10 hrs)	60					
			clean	○	○	○	○	○	○	○	every 50 hrs	66				
13	Air cleaner warning indicator		check	Daily check						(every 10 hrs)	60					
14	Fuel tank cap (vent hole)		clean	Daily check						(every 10 hrs)	63					
15	Wheel bolt torque		check	Daily check						(every 10 hrs)	63					
16	Tire pressure		check	Daily check						(every 10 hrs)	63					
17	Fuel tank		drain	○	○	○	○	○	○	○	○	every 50 hrs	64			
18	Air cleaner element	Outer element	clean	○	○	○	○	○	○	○	○	○	every 50 hrs	65	*2	@
			replace		○	○	○	○	○	○	○	○	○	every 250 hrs	71	
		Inner element	replace		○	○	○	○	○	○	○	○	○	every 250 hrs	71	
19	Radiator hoses and clamps		check		○	○	○	○	○	○	○	○	every 250 hrs	68		
			replace											every 2 years	80	

No.	Check points	Measures	Hour meter indicator							Interval	Ref. page			
			50	250	500	1000	1500	2000	3000					
20	Fuel line and intake air line	check		○	○	○	○	○	○	○	every 250 hrs	68		@
		replace									every 2 years	79		
21	Drive chain tension	check		○	○	○	○	○	○	○	every 250 hrs	69		
22	Inside of main frame	clean		○	○	○	○	○	○	○	every 250 hrs	69		
23	Engine oil filter cartridge	replace		○	○	○	○	○	○	○	every 250 hrs	72		
24	Fuel filter cartridge	replace			○	○	○	○	○	○	every 500 hrs	73		@
25	Drive chain tank oil (each side)	check			○	○	○	○	○	○	every 500 hrs	73		
		change				○		○	○	○	every 1000 hrs			
26	Breather filter	replace			○	○	○	○	○	○	every 500 hrs	74		
27	Hydraulic return filter	replace		●	○	○	○	○	○	○	every 500 hrs	75		
28	Hydraulic oil filter	replace	●		○	○	○	○	○	○	every 500 hrs	74		
29	Water separator filter element	replace			○	○	○	○	○	○	every 500 hrs	75		
30	Hydraulic suction filter	replace				○		○	○	○	every 1000 hrs	75		
31	Engine valve clearance	adjust				○		○	○	○	every 1000 hrs	77	*3	
32	Injector tip	check						○		○	every 1500 hrs	77	*3	@
33	Alternator and starter motor	check							○		every 2000 hrs	77		
34	Oil separator element	replace						○		○	every 1500 hrs	77		@
35	PCV valve	check						○		○	every 1500 hrs	77	*3	
36	EGR cooler	check						○		○	every 1500 hrs	77	*3	@
37	EGR system	check								○	every 3000 hrs	77	*3	@
38	Turbo charger	check								○	every 3000 hrs	77	*3	@
39	DPF	clean								○	every 3000 hrs	77	*3	@
40	Exhaust manifold (crack, gas, leakage and mounting screw)	check									every 1 year	78	*3	
41	Intake air line for air leaks	check									every 1 year	78	*3	
42	Boost sensor and AFS (Air flow sensor)	check									every 1 year	78	*3	
43	Condition of DPF muffler	check									every 1 year	78	*3	
44	DPF differential pressure sensor and piping for gas leak	check									every 1 year	78	*3	
45	DPF exhaust gas temperature sensor	check									every 1 year	78	*3	
46	EGR and piping for gas leak	check									every 1 year	78	*3	
47	Radiator system	rinse									every 2 years	78		
48	Closed breather related rubber piping	replace									every 2 years	80	*3	
49	DPF differential pressure sensor rubber piping (Front and back)	replace									every 2 years	80	*3	
50	Suction pipe downstream the AFS (Air flow sensor)	replace									every 2 years	80	*3	
51	Boost sensor pressure rubber piping	replace									every 2 years	80	*3	
52	EGR cooler hose	replace									every 2 years	80	*3	

◆ Air-conditioner

No.	Check points		Measures	Hour meter indicator						Interval	Ref. page		
				50	250	500	1000	1500	2000				
1	Air-conditioner condenser		check	Daily check						(every 10 hrs)	62		
2	Air-conditioner air filter	Outer filter	clean	○	○	○	○	○	○	○	every 50 hrs	67	*2
			replace			○	○	○	○	○	every 500 hrs	-	*2
		Inner filter	clean	○	○	○	○	○	○	○	every 50 hrs	67	*2
			replace			○	○	○	○	○	every 500 hrs	-	*2
3	Air-conditioner drain		check			○	○	○	○	○	every 500 hrs	74	
4	Air-conditioner pipes and hose		check								every 1 year	78	
			replace									every 2 years	80
5	Refrigerant (gas)		check								service as required	80	

IMPORTANT :

● First operation

- *1 When using a hydraulic hammer, change hydraulic oil and return filter according to the table on "Hydraulic Oil Change (Including Replacing Suction Filter in the Hydraulic Tank and Return Filter)" in "EVERY 1000 SERVICE HOURS" in "REGULAR CHECKS AND MAINTENANCE WORK" section.
- *2 Clean and replace the air cleaner element more frequently if used under dusty conditions. When the filter is very dirty from dusty conditions, replace the filter.
- *3 Consult your local KUBOTA dealer for this service.
 - The items listed above (@ marked) are registered as emission related critical parts by KUBOTA in the U.S.EPA non-road emission regulation. As the engine owner, you are responsible for the performance of the required maintenance on the engine according to the above instruction. Please see the Warranty Statement in detail.
 - When using biodiesel, be sure to check the maintenance requirements of biodiesel fuel as the intervals will change in some of the items.

OPENING AND CLOSING OF COMPONENTS

■ Rear Door



WARNING

To avoid personal injury or death:

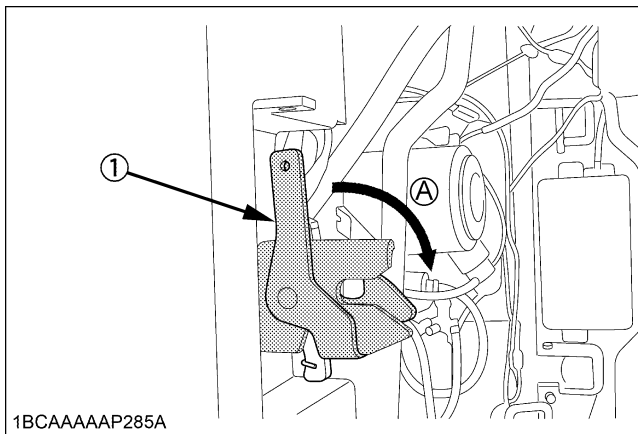
- When opening the rear door, open it firmly to the locked position.
- When opening and closing the rear door, be careful not to get your hands or other parts of your body caught.

◆ Opening

1. Pull the lever and open the rear door.
2. Insert the pin into the "LOCKED" position to fix the rear door.

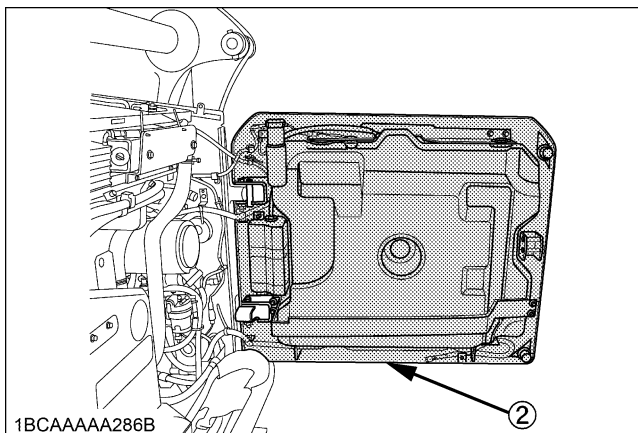
◆ Closing

1. Support the rear door by hand, remove the pin from the "LOCKED" position and insert it into "ORIGINAL" position.
2. Close the rear door firmly until the lever is fully returned.

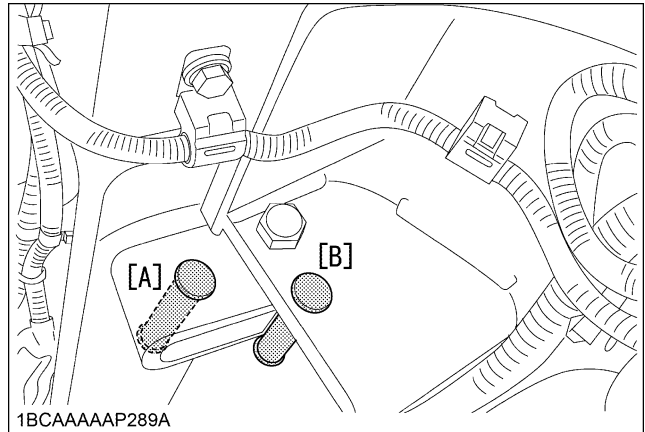


(1) Lever

(A) "PULL"



(2) Rear door



(3) Pin

(A) "ORIGINAL" position

(B) "LOCKED" position

■ Rear Upper Cover



WARNING

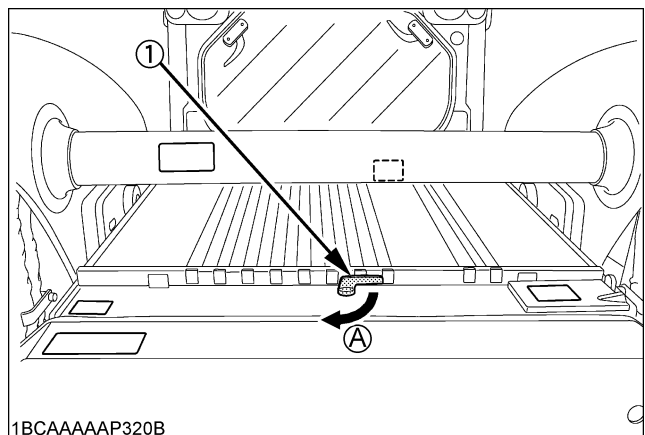
To avoid personal injury or death from contact with moving parts:

- Never open the engine cover while the engine is running.

1. Turn the lever and pull out the rear upper cover.

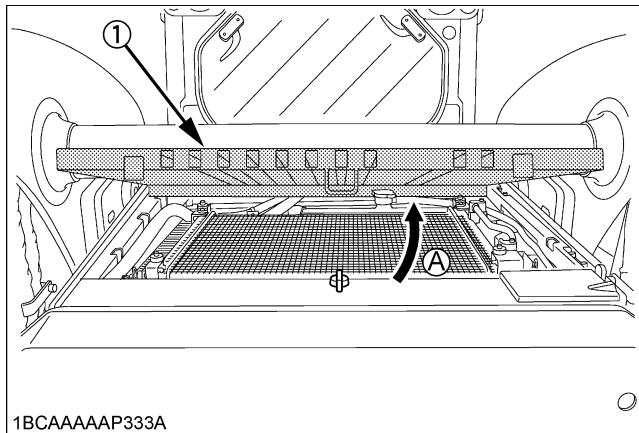
NOTE :

- Before detaching the rear upper cover, remove dirt or debris off the cover top and around the cover. This is to prevent such deposits from coming into the cooling system.



(1) Lever

(A) "TURN"



1BCAAAAAP333A

(1) Rear upper cover (A) "Pull out"

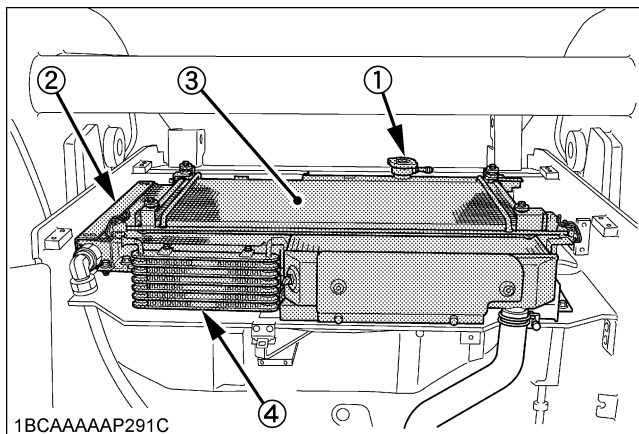
■ Radiator and Oil Cooler



WARNING

To avoid personal injury or death:

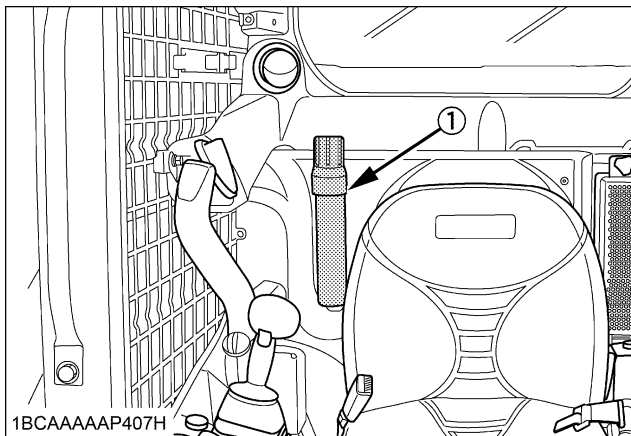
- Always stop the engine and remove the key before checking the radiator, oil cooler and fuel cooler.
- Wear eye protection when cleaning with compressed air.



1BCAAAAAP291C

(1) Radiator
 (2) Oil cooler
 (3) Condenser
 (4) Fuel cooler

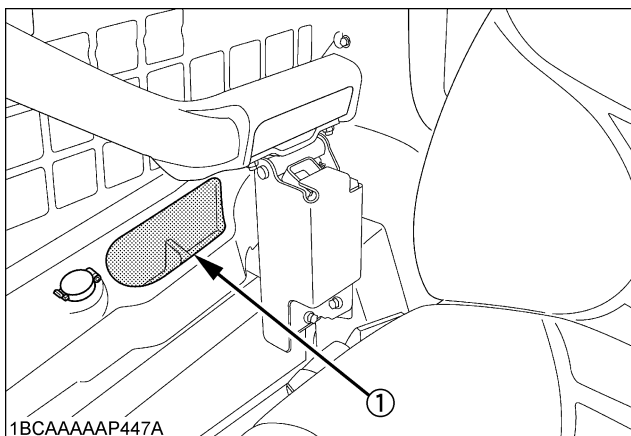
■ Where to Keep Operator's Manual



1BCAAAAAP407H

(1) Operator's manual storage box

■ Utility Box



1BCAAAAAP447A

(1) Tool storage space

■ Jacking Up the Machine

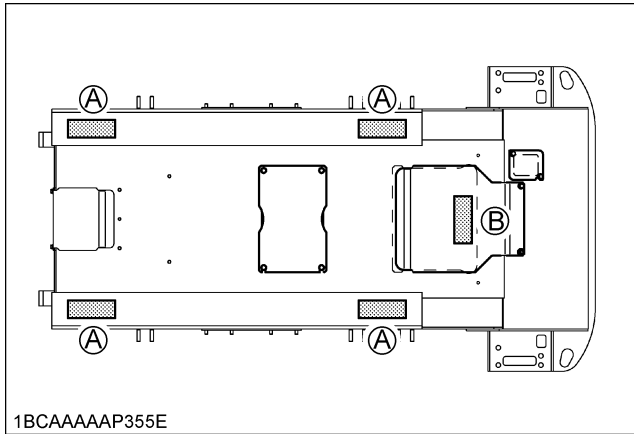


WARNING

To avoid personal injury or death:

- Raising the machine while the parking brake is not applied may cause the machine to move, and cause personal injury or death. Place the machine on a firm, flat and level surface, lower the lift arms sufficiently, and tilt down the cab.
- Do not enter beneath the machine, while raising the machine.
- More than one person may be needed to tilt the cab.

1. Select a firm, flat and level surface, lower the lift arms fully to the ground, lower the cab, and make sure the parking brake is applied.
2. Put the jack stands under the machine.



(A) Put the jack stands
(B) Put the garage jack

IMPORTANT :

- Before putting the jack stands, adjust them to the same height.

■ Tilting Up the CAB

For inspection and maintenance, the CAB is designed so that it can be tilted up.



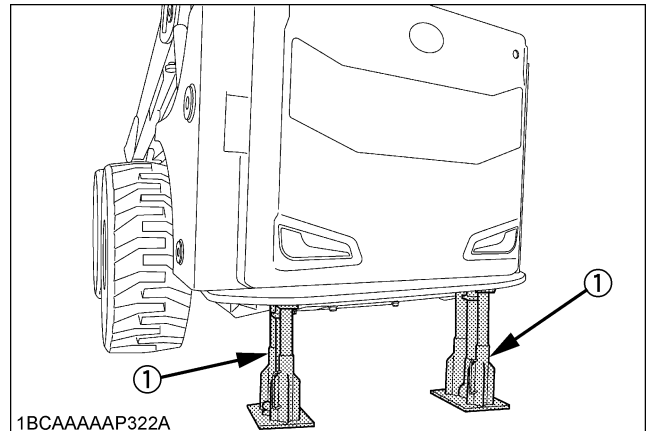
WARNING

To avoid personal injury or death:

- Raising or lowering the cab while the engine is running may cause the machine to move, and cause personal injury or death. Place the machine on a firm, flat and level surface, lower the lift arms slowly to the ground and stop the engine before raising or lowering the cab.
- When tilting up the CAB, use the stopper lock not to be released the stopper suddenly.
- Do not enter beneath the cab, while raising or lowering the cab.
- More than one person may be needed to tilt the cab.

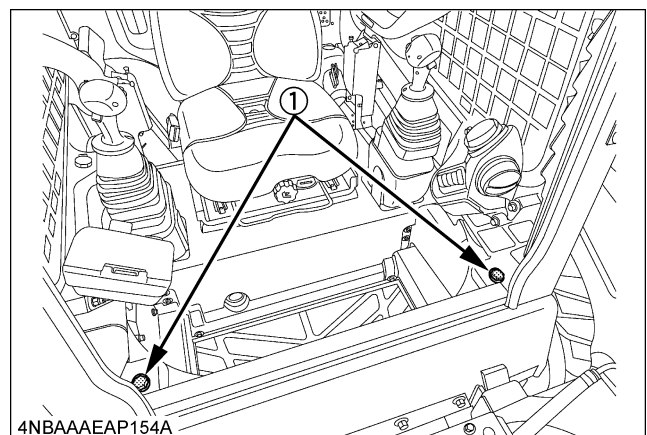
◆ **Raising (Tilt up)**

1. Select a firm, level surface, lower the lift arms fully to the ground, and stop the engine.
If the lift arm must be up while raising the operator cab, install the lift arm support device. (See "Lift Arm Stopper" on Page 22.)
Put the jack stands under the rear corners of the frame.



(1) Jack stands

2. Set the armrest to the "RAISED" position.
3. Remove the lock bolts from the front of the machine.

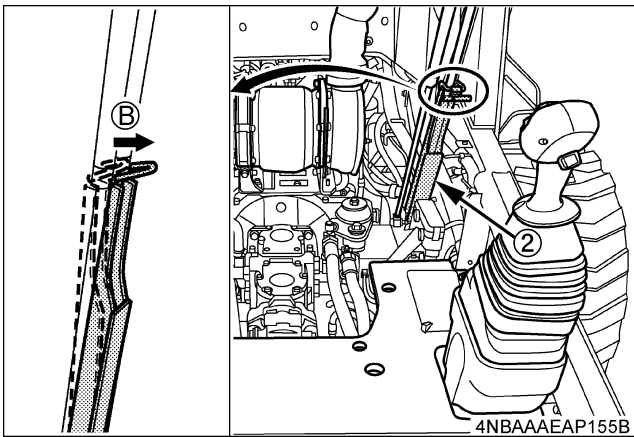
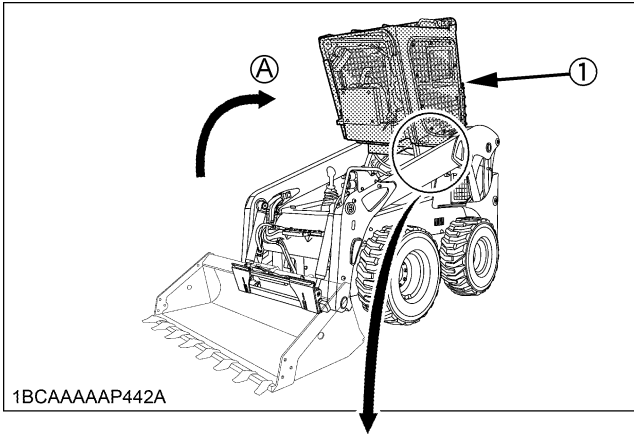


(1) Lock bolt

- Slowly raise the cab until the cab is all the way up and the stopper latching in engages.

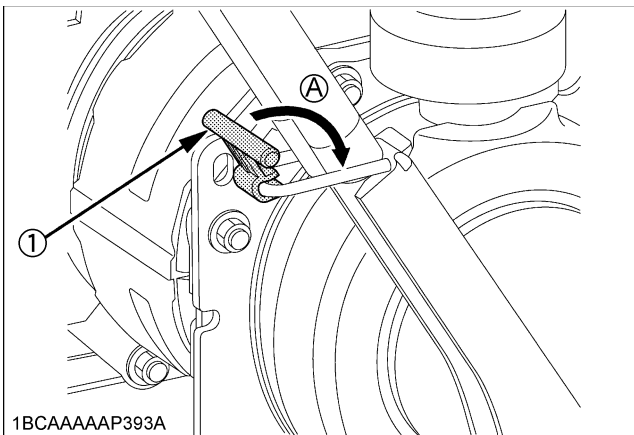
NOTE :

- The required force to lift the cab is affected by the temperature.



- (1) Cab
 (2) Stopper
 (A) "RAISE"
 (B) "ENGAGE"

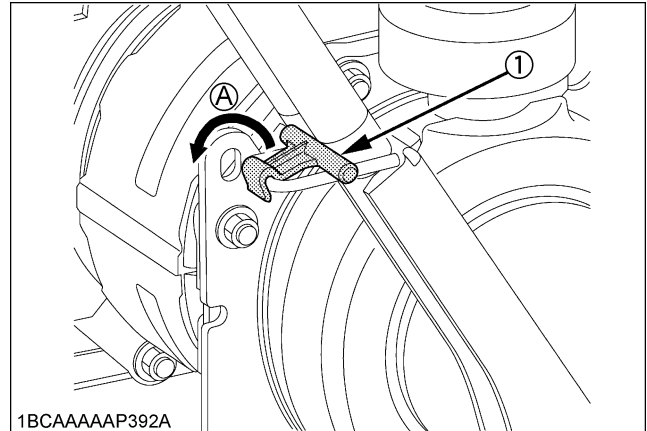
- Set the stopper lock to the lock position.



- (1) Stopper lock
 (A) Lock

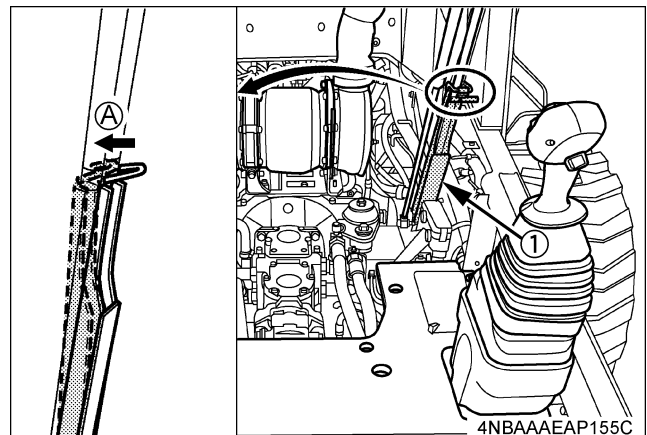
◆ **Lowering (Tilt down)**

- Set the stopper lock to the release position.

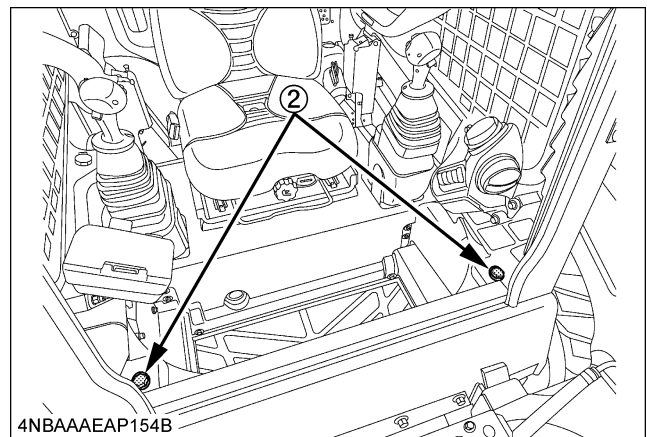


- (1) Stopper lock
 (A) Release

- Support the cab and release the stopper.
- Lower the cab slowly all the way down.
- Tighten the lock bolts with correct tightening torque.



- (1) Stopper
 (A) "RELEASE"



- (2) Lock bolt

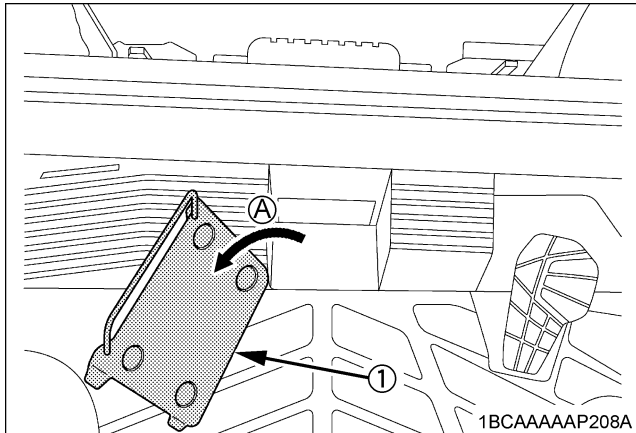
◆ **Tightening torque:**

77.5 to 90.2 N-m

DISCHARGING MUD FROM OPERATOR ROOM AND MAIN FRAME

■ Operator room

1. Remove the floor mud outlet.
2. Discharge mud on the floor to the hole.



(1) Floor mud outlet (A) Remove

■ Main Frame

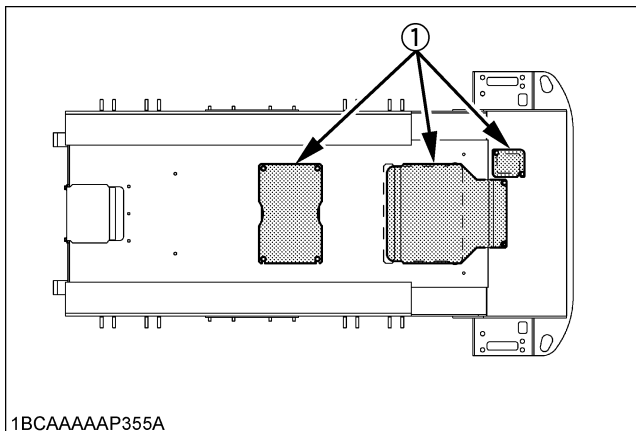


WARNING

To avoid personal injury or death:

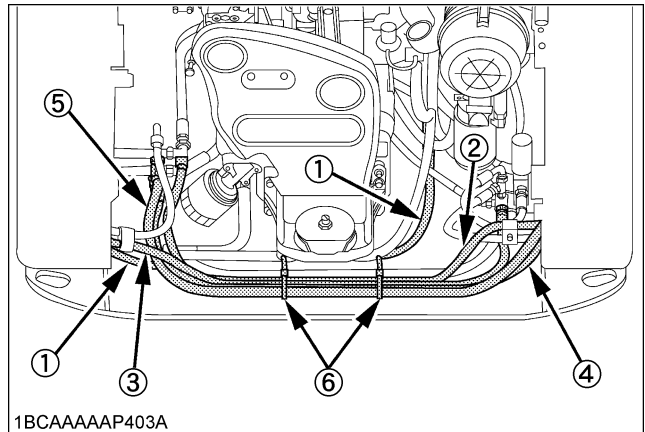
- Before working under the machine, check your surroundings, and remove the key to ensure safety.
- The bottom plate of the main frame can get heavier with accumulated mud. Be careful when removing the bottom plate, making sure to stay clear and not wonder it, incase it falls suddenly.

1. Tilt the CAB.
2. Open the rear door.
3. Open the plates of the bottom of the main frame.
4. Discharge mud on the main frame to the hole.



(1) Plates

5. After discharging mud, return the hydraulic hoses at rear frame as illustrated bellow.



- (1) Hydraulic hose (service port)
- (2) Hydraulic hose (arm cylinder rod (RH))
- (3) Hydraulic hose (arm cylinder bottom (LH))
- (4) Hydraulic hose (bucket rod)
- (5) Hydraulic hose (bucket bottom)
- (6) Clamp (cord band)

NOTE :

- Make sure that the hoses do not appear above the bumper surface.

DAILY CHECKS

For your own safety and to assure the long life of your machine, a careful check should be made before each operation.

■Checking Coolant Level

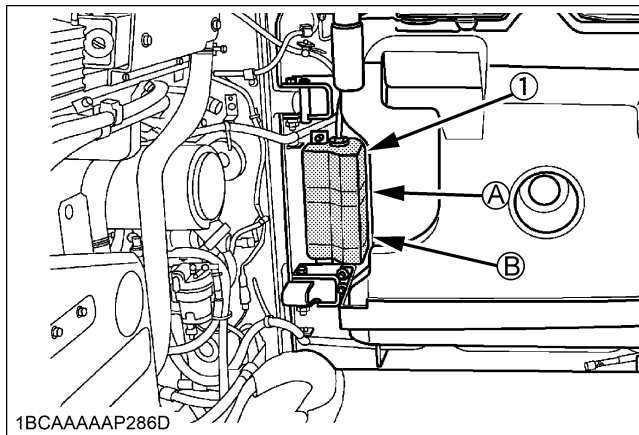
For your own safety and to assure the long life of your machine, a careful check should be made before each operation.

WARNING

To avoid personal injury or death:

- Place the machine on a firm, flat and level surface, lower the lift arms slowly to the ground and stop the engine.
- Do not open the radiator cap right after the engine has been stopped; Serious burns can occur from contact with escaping hot coolant fluid.
- Check the coolant level in the recovery tank only after the engine has cooled down.
- Remove the radiator cap only if absolutely necessary.

1. Check to see that the coolant level is between the "FULL" and "LOW" marks of recovery tank.
2. When the coolant level drops due to evaporation, add water only up to the full level.
In case of leakage, add anti-freeze and water in the specified mixing ratio up to the full level.



(1) Recovery tank (A) "FULL" (B) "LOW"

IMPORTANT :

- Do not fill the recovery tank over the "FULL" marking.
- Do not fill with dirty or salty water.

■Checking Fuel Level

WARNING

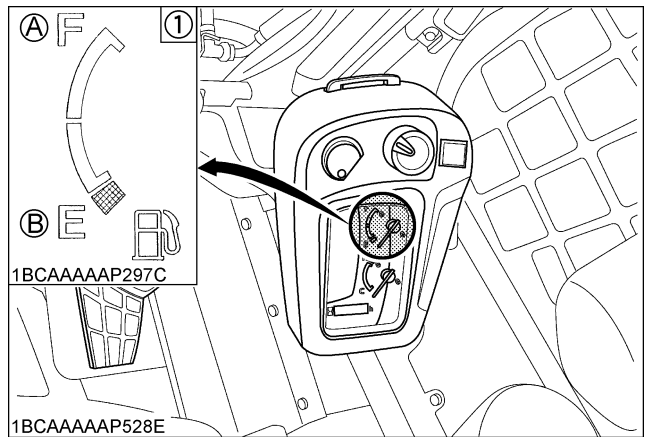
To avoid personal injury or death:

- Stop the engine and remove the key before fueling.
- Do not smoke while fueling.

IMPORTANT :

- For temperatures over -5°C, use No.2-D diesel fuel, when temperatures are under -5°C, use No.1-D diesel fuel.
- Make sure that the fuel tank will not run empty. Air will enter the fuel system, and must be purged before restarting engine.
- Be very attentive to the remaining fuel for the engine not to stall. If the engine stalls, it may fail to get restarted for a while to protect the emission purifying device.
- See "PURGING OF THE FUEL SYSTEM" in "OTHER ADJUSTMENTS AND REPLACEMENTS" section.
- To prevent condensation (water) accumulations in the fuel tank, fill the fuel tank full before parking overnight.

1. Turn the starter key to the "RUN" position.



(1) Fuel gauge (A) "FULL" (B) "EMPTY"

2. If necessary, open the rear door or the filler cover. Open the tank cap and fuel to the tank. (See "Fuel Gauge Indicator" in "CHECK BEFORE START" section.)

Fuel tank capacity	SSV65	96 L
	SSV75	102 L

■ Checking Engine Oil Level

WARNING

To avoid personal injury or death:

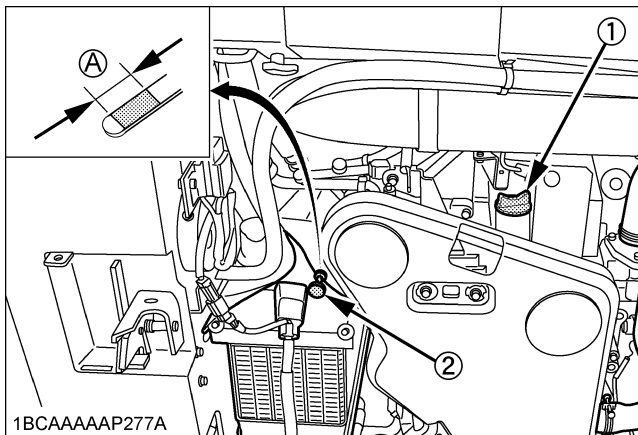
- Stop the engine and remove the key before checking the oil level.

IMPORTANT :

- Use engine oil with the correct viscosity. (according to the outside temperature)
- After stopping the engine and remove the key, wait 5 minutes, then check the oil level. (Machine must be on level ground.)
- A small amount of fuel used for DPF-regeneration may get mixed with the engine oil, which can increase the oil level slightly.
- Do not attempt to repeat or interrupt the regeneration process unnecessarily. Doing so can increase the small amount of fuel that gets mixed with the engine oil, thereby degrading it.
- If the oil rises above the oil level gauge upper limit, it means the oil has been diluted too much, resulting in a trouble. In such case, immediately change the oil for new one.

To check the oil level, draw out the dipstick, wipe it clean, replace it and draw it out again. Check to see that the oil level lies between the two notches.

If the level is too low, add new oil to the prescribed level at the oil filling port.



- (1) Oil filling port
- (2) Engine oil dipstick
- (A) "Required oil level range"

■ Checking Hydraulic Oil Level

WARNING

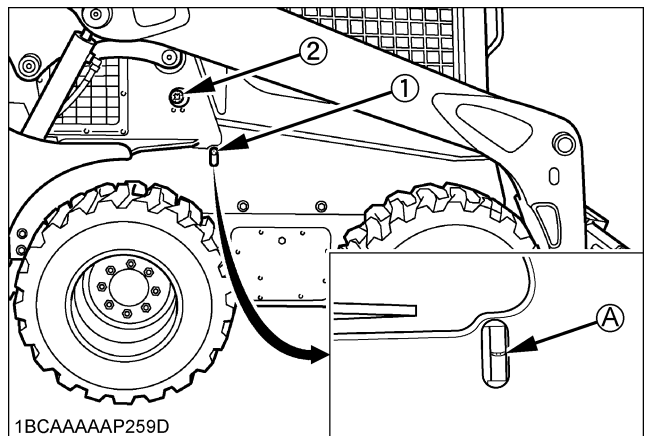
To avoid personal injury or death:

- Stop the engine and remove the key before checking the oil level.

IMPORTANT :

- Before filling oil, wipe away all sand and dust from around the oil port. Make sure to use an identical type of hydraulic fluid.
- The machine has been filled with hydraulic fluid before delivery. See "**RECOMMENDED OILS**" section. **(Do not mix different oils.)**

1. Park the machine on a firm, flat and level surface. Lower the lift arms slowly to the ground, tilt down the attachments and stop the engine.
2. Check the oil level as to whether it lies on the center of the gauge at normal temperature (10°C to 30°C).
3. Enough oil is present if the oil level lies near the center of the gauge.
4. Should the oil level be too low, fill up with oil through the oil port before starting the engine. This step is important for the protection of the hydraulic system.



- (1) Gauge
- (2) Hydraulic tank cap (Oil filling port)
- (A) Center of the gauge

■ Lubrication Points

! WARNING

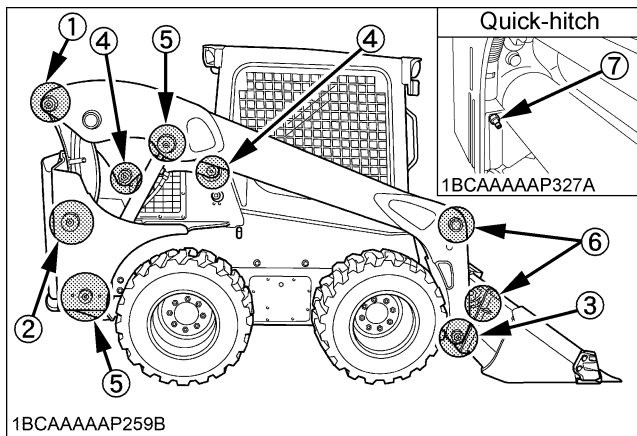
To avoid personal injury or death:

- First lower all attachments on the ground then stop the engine and remove the key.

IMPORTANT :

- When doing loader work in water, generously grease the following points. After ending work, grease again.

Grease the marked grease fittings (both sides) shown by arrows in the illustration below.



- | | | |
|----|------------------------------|----------|
| 1. | Lift arm linkage | 1 place |
| 2. | Link 1 | 1 place |
| 3. | Bucket link pin | 1 place |
| 4. | Control link | 2 places |
| 5. | Lift arm cylinder boss | 2 places |
| 6. | Tilt cylinder boss | 2 places |
| 7. | Quick-hitch pin | 1 place |

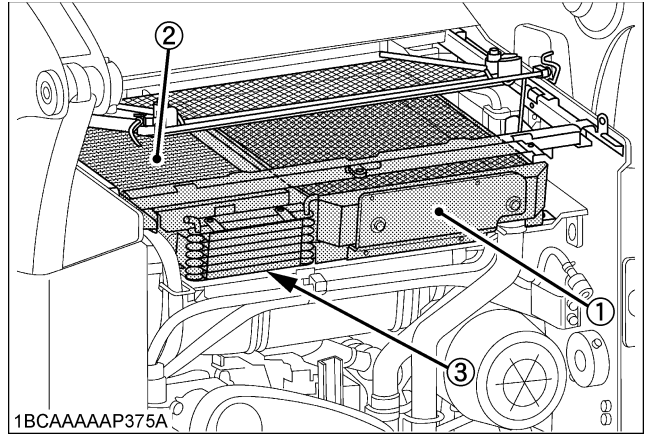
■ Checking Radiator, Oil Cooler and Fuel Cooler

! WARNING

To avoid personal injury or death:

- Always stop the engine and remove the key before checking the radiator and oil cooler.
- Wear eye protection when cleaning with compressed air.

1. Check if the fins and ribs are clogged. If so clean with compressed air or steam.
2. Check the rubber hoses for damage and replace if cracked or old. Check if the hose clamps are tight enough.



- (1) Radiator
- (2) Oil cooler
- (3) Fuel cooler

IMPORTANT :

- In order to prevent overheating, the radiator, oil cooler, and fuel cooler fins must be kept clean, allowing air to flow freely through the cooling elements.
- Pressure of compressed air must be under 205 kPa (2.1 kgf.cm²)
- When cleaning the radiator, oil cooler and fuel cooler with compressed air, the fins can be damaged. Be careful not to damage the fins.

■ Checking and Cleaning Engine and Electrical Wiring

! WARNING

To avoid personal injury or death:

- Always stop the engine and remove the key before cleaning the wiring, cables and engine.

Before starting the engine, check whether any flammable substances may have gathered on the battery, any cables, wiring, muffler, or engine. Remove thoroughly if found.

Check the electrical circuitry for disconnections, shorts or loose terminals.

■Checking V-belt



WARNING

To avoid personal injury or death:

- Stop the engine and remove the key before checking the V-belt.
- Check the V-belt for cracks and proper tension. (See "Adjusting V-belt Tension" in "REGULAR CHECKS AND MAINTENANCE WORK" section.)

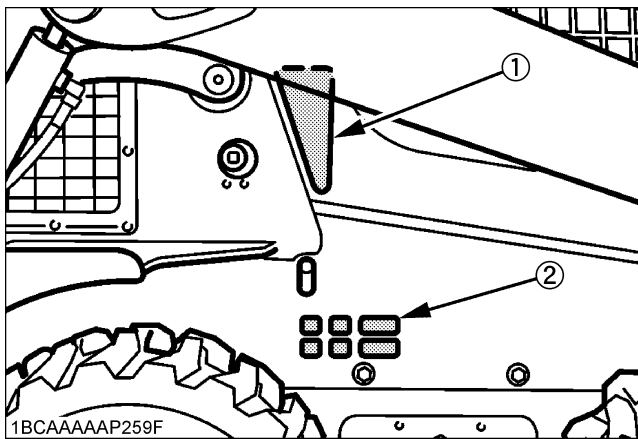
■Washing Whole Machine

IMPORTANT :

- Do not wash the machine with the engine running. Water could enter the air cleaner and damage the engine. Make sure that the air cleaner is kept dry.
- Remove the mud before washing the machine.

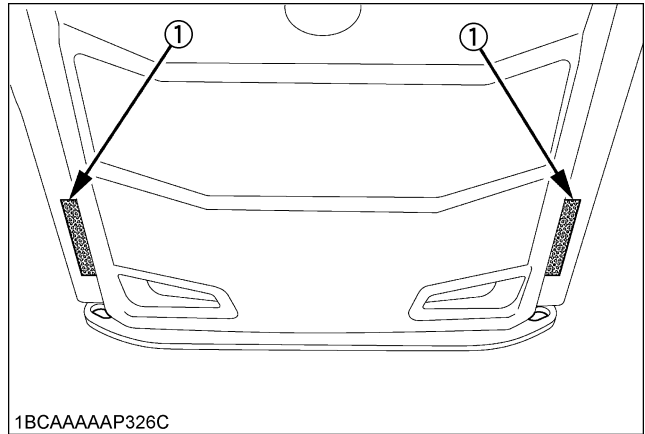
■Checking Machine Side and Rear Grills

Check if the machine side and rear grills are clogged. If so clean with compressed air or steam.



1BCAAAAAP259F

- (1) Side grills (LH and RH)
- (2) Side grill (RH only)



1BCAAAAAP326C

- (1) Rear grills

IMPORTANT :

- If the machine is operated with clogged grills, the temperature in the machine becomes higher. That will shorten the service life of the machine parts.

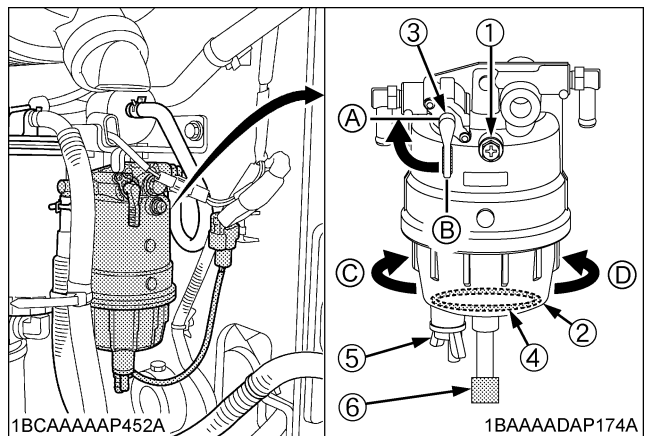
■Draining Water Separator

[Checking and Draining]

Water and dirt contained in fuel will settle down in the water separator. When such foreign substances are deposited, set the shutoff-valve to the "CLOSE" position. Loosen the top screw first and then the bottom drain plug to let the foreign substances out of the separator. Finally be sure to air-bleed the fuel system.

[Cleaning]

1. Set the shutoff-valve to the "CLOSE" position.
2. Loosen and remove the cup, then clean the inside surface with light oil.
3. Tighten up the cup.



1BCAAAAAP452A

1BAAAAADAP174A

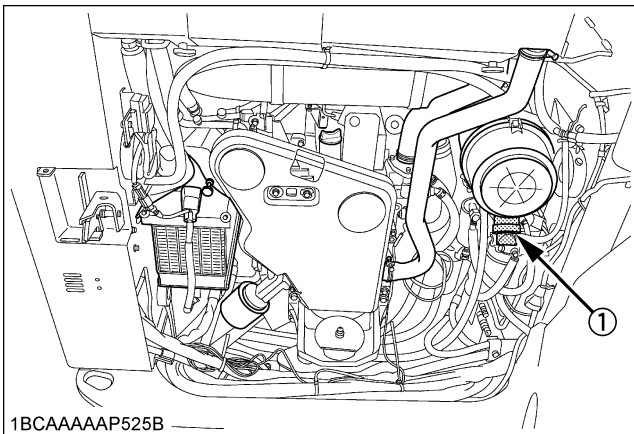
- | | | |
|-------------------|-------------------------------------|-------------|
| (1) Screw | (4) Float | (A) "CLOSE" |
| (2) Cup | (5) Drain plug | (B) "OPEN" |
| (3) Shutoff-valve | (6) Connector of water level sensor | (C) Loosen |
| | | (D) Tighten |

IMPORTANT :

- As water is collected, the red float goes up. When the float has reached the specified line, immediately drain the water separator.
- In reattaching the water separator, be careful to keep off dust and dirt.
- Be sure to purge the fuel system before getting the machine restarted.
(See **"PURGING OF THE FUEL SYSTEM"** in **"OTHER CHECKS AND REPLACEMENTS"** section.)
- If the water separator error code (E: 9120) appears on the meter panel, immediately drain the water separator.

■Checking Evacuator Valve

Open the evacuator valve to get rid of large particles of dust and dirt.



(1) Evacuator valve

NOTE :

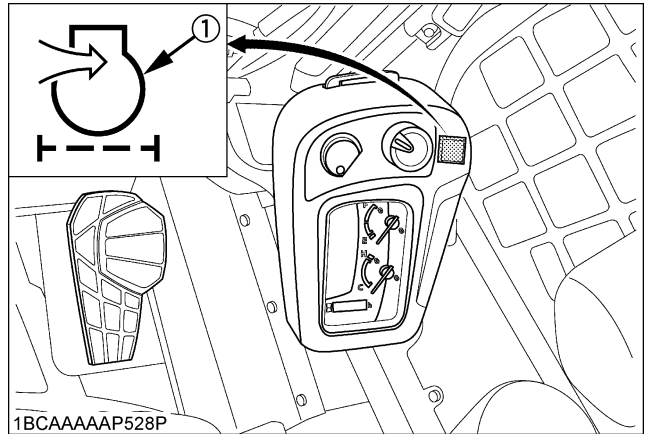
- If the evacuator valve is missing or damaged, the air cleaner does not function properly. Accordingly, its element's service life will get shorter.

■Checking Air Cleaner Warning Indicator

If the air cleaner is clogged, the air cleaner warning indicator on the instrument panel will light up.

If this should happen at high engine rpm, stop the engine and clean the air cleaner element.

(See "Inspection and Cleaning Air Cleaner Element", "Air Cleaner Element" and "Cleaning Evacuator Valve" in "EVERY 50 SERVICE HOURS" in "REGULAR CHECKS AND MAINTENANCE WORK" section.)



(1) Air cleaner warning indicator

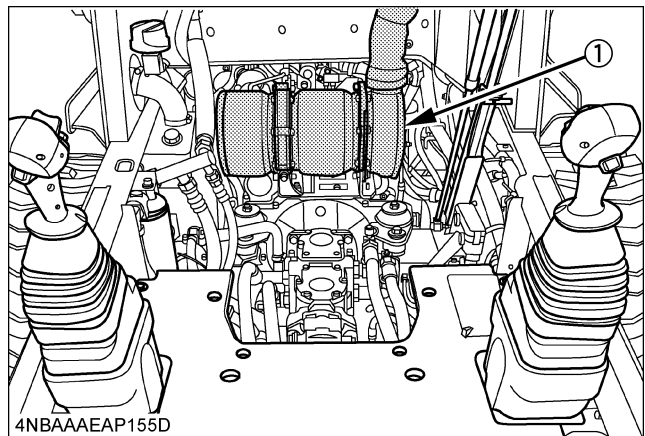
■Checking Diesel Particulate Filter (DPF) Muffler

⚠ WARNING

To avoid personal injury or death:

- Before checking or cleaning the DPF muffler, stop the engine and wait long enough until it is cooled down.

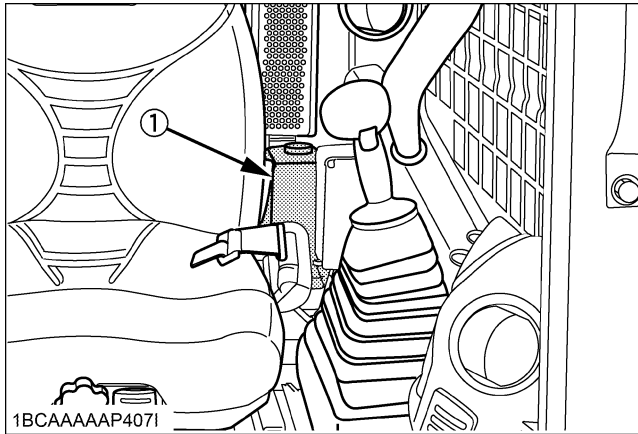
Check to see that nothing flammable is deposited around the DPF muffler. Otherwise a fire may result.



(1) DPF muffler

■Checking Washer Liquid (Closed cab model)

If the window washer is switched on with the washer liquid tank empty, the motor may be damaged. Always keep the tank filled.



(1) Washer liquid tank

IMPORTANT :

- Get the washer liquid tank half filled (about 0.8 L) before working on a slope or a rough ground. The liquid may leak out when the machine bounces.

■Checking Battery Condition



DANGER

To avoid the possibility of a battery explosion: For refillable type battery, follow the instructions below.

- Do not use or charge the refillable type battery if the fluid level is below the LOWER (lower limit level) mark. Otherwise, the battery component parts may prematurely deteriorate, which may shorten the battery's service life or cause an explosion. Check the fluid level regularly and add distilled water as required so that the fluid level is between the UPPER and LOWER levels.



WARNING

To avoid personal injury or death:

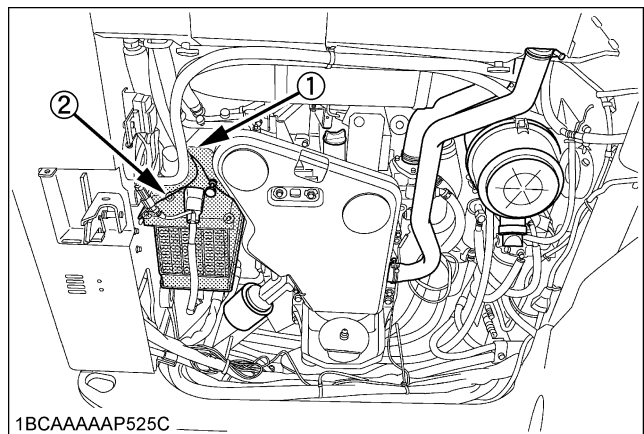
- Never remove the vent caps while the engine is running.
- Keep electrolyte away from eyes, hands and clothes. If you are splattered with it, wash it away completely with water immediately and get medical attention.
- Wear eye protection and rubber gloves when working around the battery.
- Before inspection or dismantling the battery, be sure to turn off the engine and turn the starter switch to the "OFF" position.
- When removing the battery, always disconnect the negative ground cable first. When installing a battery, always connect the ground cable last. This prevents a possible explosion caused by sparks.

The factory-installed battery is of non-refillable type. If the indicator turns white, do not quick charge the battery but replace it with new one.

Mishandling the battery shortens the service life and adds to maintenance costs.

The original battery is maintenance free, but needs some servicing.

If the battery is weak, the engine will be difficult to start and the lights will be dim. It is important to check the battery periodically.



(1) Battery
(2) Indicator

◆ **How to read the indicator**

Check the battery condition by reading the indicator.

State of indicator display	
Green	Specific gravity of electrolyte and quality of electrolyte are both in good condition.
Black	Needs charging battery.
White	Needs replacing battery.

◆ **Battery Charging**

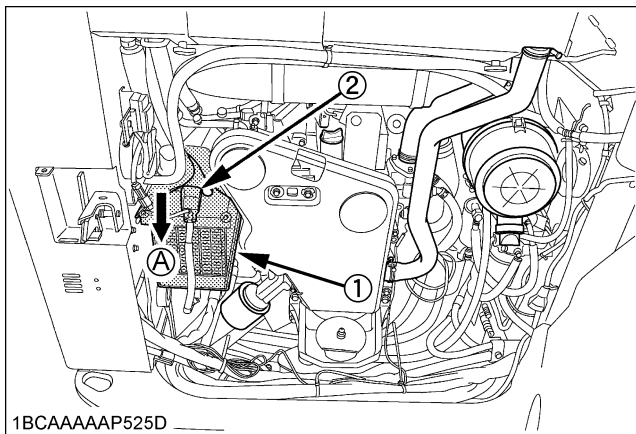


WARNING

To avoid personal injury or death:

- When the battery is being activated, hydrogen and oxygen gases in the battery are extremely explosive. Keep open sparks and flames away from the battery at all times, especially when charging the battery.
- When charging the battery, ensure the vent caps are securely in place. (if equipped)
- When disconnecting the cable from the battery, start with the negative terminal first.
When connecting the cable to the battery, start with the positive terminal first.
- Never check battery charge by placing a metal object across the posts.
Use a voltmeter or hydrometer.

When attaching the new battery, its positive terminal faces to the rearward of the machine.



(1) Battery (A) Rearward of the machine
(2) Positive terminal

1. To slow charge the battery, connect the battery positive terminal to the charger positive terminal and the negative to the negative, then recharge in the standard fashion.

2. A boost charge is only for emergencies. It will partially charge the battery at a high rate and in a short time. When using a boost-charged battery, it is necessary to recharge the battery as early as possible. Failure to do this will shorten the battery's service life.
3. The battery is charged if the indicator display turns green from black.
4. When replacing an old battery, make sure the new one is of equal specification.

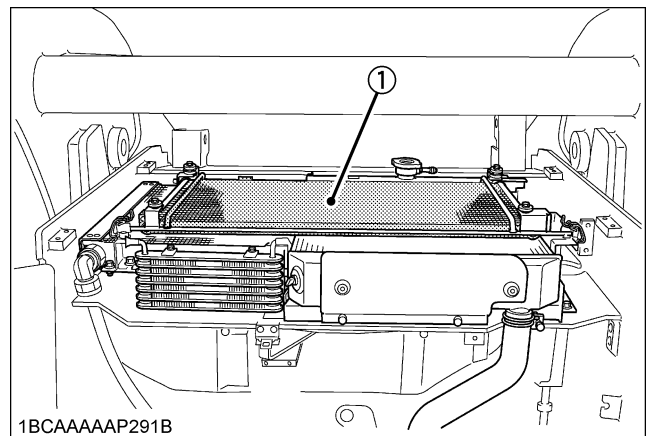
Battery Type	Volts (V)	Capacity
GP31(105E41R)	12	85.3 (at 5H.R(A.H))

◆ **Direction for Storage**

1. When storing the machine for long periods of time, remove the battery from machine, adjust the electrolyte to the proper level and store in a dry place out of direct sunlight.
2. The battery self-discharges while it is stored. Recharge it once every three months in hot seasons and once every six months in cold seasons.

■ **Checking Air-Conditioner Condenser**

Check air-conditioner condenser to be sure it is clean from debris.



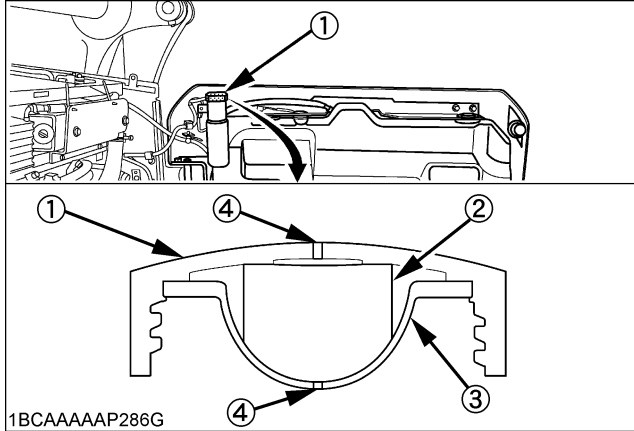
(1) Air-conditioner condenser

NOTE :

- Air flows through the condenser, entering through the top and exiting out the bottom. As such debris may accumulate on the top side. Remove the outside cover to gain better access for cleaning.

■ Cleaning Fuel Tank Cap (Vent hole)

Disassemble the fuel tank cap. Clean if the tank cap filter becomes dirty, and the vent holes are clogged. After cleaning, reassemble them.



- (1) Fuel tank cap
- (2) Tank cap filter
- (3) Gasket
- (4) Vent holes

■ Checking of Tires

If the air pressure in the tire is too high or too low, the life of the tire will be shortened.

Make routine checks of the air pressure in tires, and adjust so the pressure is correct.

Always measure the tire pressure, and check for damage to the tires or rims before starting operation.

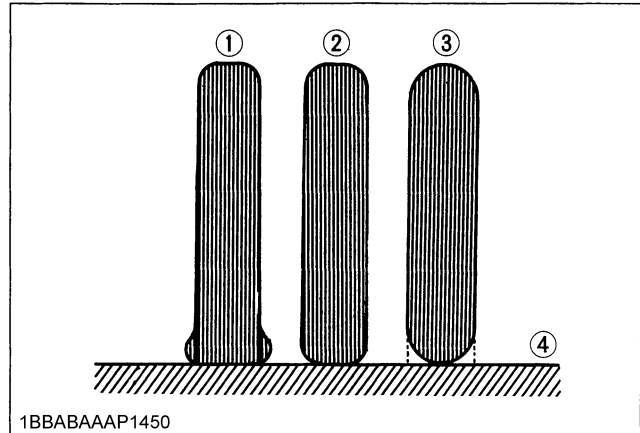


WARNING

To avoid personal injury or death:

- Do not attempt to mount a tire on a rim. This should be done by a qualified person with the proper equipment.
- Always maintain the correct tire pressure. Do not inflate tires above the recommended pressure shown in the operator's manual.
- When inflating the tire, use a self-holding chuck and a remotely-operable shut valve as well. Keep blowing up the tire away from it.

◆ Tire pressure



- (1) Insufficient
- (2) Correct
- (3) Excessive
- (4) Ground level

Type	Pressure	
	SSV65	SSV75
Tire 10 x 16.5 8ply	Standard 414 kPa 4.14 bar	-
Tire 12 x 16.5 10ply	Option 448 kPa 4.48 bar	Standard 448 kPa 4.48 bar
Tire 14 x 17.5 12ply	-	Option 552 kPa 55.2 bar

1. Insufficient tire pressure
Too small an amount of air in the tire can cause it to have excessive slack, which makes for faster wearing down of the tread.
2. Correct tire pressure
3. Excessive high tire pressure
Too high a tire pressure causes the tractive force of the machine to decrease, or the tire to slip.
There is also the risk of a blow out.

■ Checking of Wheel Nuts

Perform every 10 hours or daily. Check for loose wheel nuts and tighten to correct torque.

Follow the torques specified below for the wheel nuts.

When installing wheel nuts, tighten to 200 to 220 N-m (20.4 to 22.5 kgf-m) torque.

When checking wheel nut torque, set the torque wrench to 200 to 220 N-m (20.4 to 22.5 kgf-m) to prevent over tightening.

REGULAR CHECKS AND MAINTENANCE WORK



WARNING

To avoid personal injury or death:

- Before doing maintenance work on the machine, place the machine on a firm, flat and level surface, lower the lift arms slowly to the ground, stop the engine.

EVERY 50 SERVICE HOURS

■ Draining the Water from the Fuel Tank

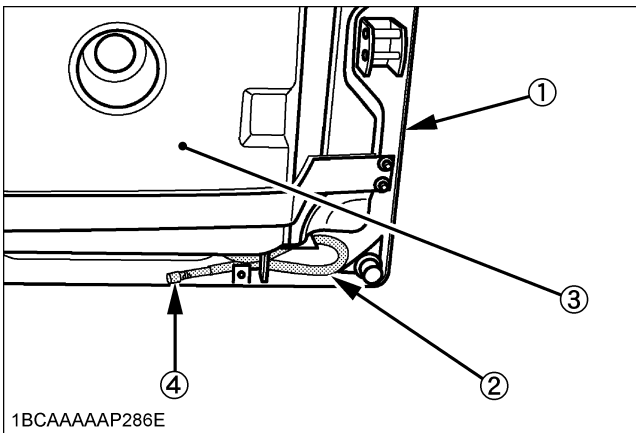


WARNING

To avoid personal injury or death:

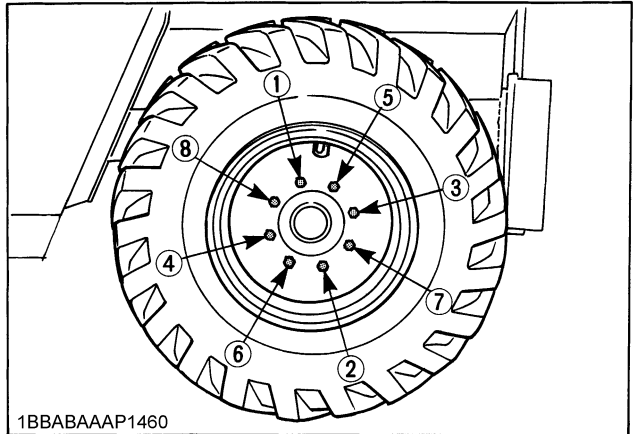
- Before draining the water from the fuel tank, be sure to stop the engine and remove the key.
- Do not smoke during inspection.

1. Open the rear door. The water drain hose storage location is at the bottom of the fuel tank.
2. Remove the drain cap from the water drain hose and drain water into a container.
3. Reinstall the drain cap.
4. Return the water drain hose to the storage location at the bottom of the fuel tank.



- (1) Rear door
- (2) Water drain hose
- (3) Fuel tank
- (4) Drain cap

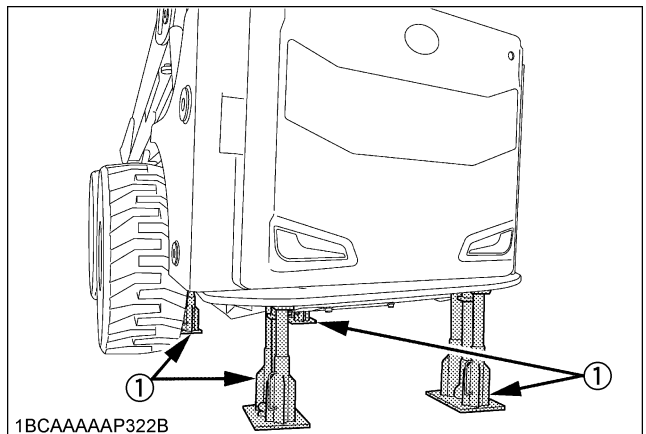
■ Changing Tires



WARNING

To avoid personal injury or death:

- Before jacking up the machine, park it on a firm and level ground.
- Select jack stands that withstand the machine weight and set them up as shown below.



- (1) Jack stands

◆ **Removal**

1. Loosen the wheel nuts each by one turn on the wheel with the tires still resting on the ground to be removed.
2. Raise the wheel off the ground, then loosen and remove the wheel nuts and change the tire to a new one.

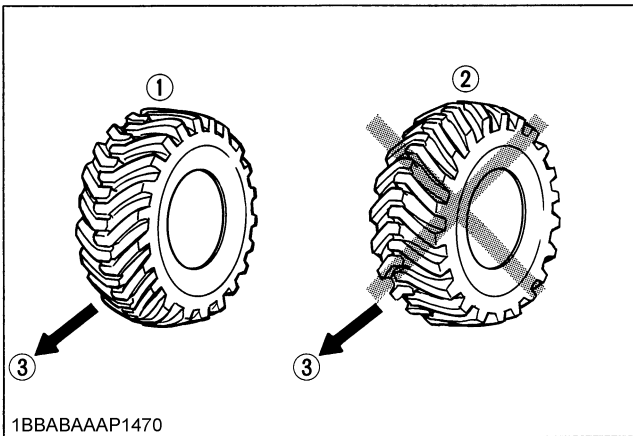
◆ **Fitting**

1. Mount wheel to axle and lightly tighten the wheel nuts.
2. Lower the wheel to the ground, and tighten the wheel nuts to the recommended torque in the order shown above.

Tightening torque	200 to 220 N-m (20.4 to 22.5 kgf-m)
-------------------	-------------------------------------

■ **Mounting the Tires**

Lug tires are used to provide strong traction and buoyancy on soft ground. When mounting them, take care to position their tread pattern in the proper direction.



- 1BBABAAAP1470
- (1) Correct
 - (2) Incorrect
 - (3) Forward

■ **Inspection and Cleaning Air Cleaner Element**

Open the rear door and remove the dust-cover. Take out only the outer element. Clean the outer element and the case interior, then reassemble. During reassembly, take care to install the dust-cover so that its TOP mark (arrow) faces up-wards. Do not remove the inner element.

IMPORTANT :

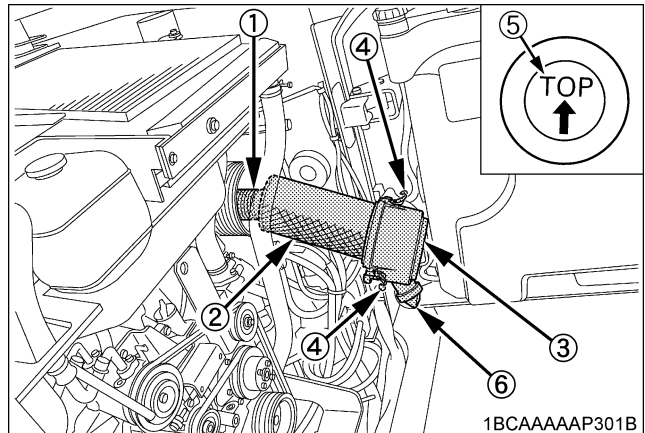
- Should the machine be used in extremely dusty areas, the air cleaner element must be inspected and cleaned more frequently than in the specified maintenance periods.
- The air cleaner has a dry element, keep free from oil.
- Do not run the engine without the air cleaner.

- Once every 250 hours or after every sixth cleaning, whichever comes first, replace the air cleaner elements.

- Do not remove the inner element. If removed, replace it with new one.

(See "Replacing Air Cleaner Element" in "EVERY 250 SERVICE HOURS" in "REGULAR CHECKS AND MAINTENANCE WORK" section.)

- Clean up the case inside with clean wet cloth. After cleaning, wipe it dry with clean dry cloth.
- Do not blow air to clean the case inside. It allows dust come into the inner element.



- 1BCAAAAAP301B
- (1) Inner element
 - (2) Outer element
 - (3) Dust-cover
 - (4) Clamps
 - (5) "TOP" mark
 - (6) Evacuator valve

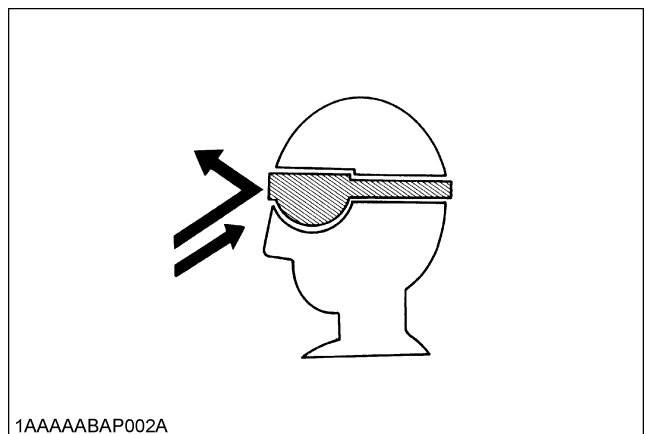
■ **Air Cleaner Element**



WARNING

To avoid personal injury or death:

- Wear eye protection.

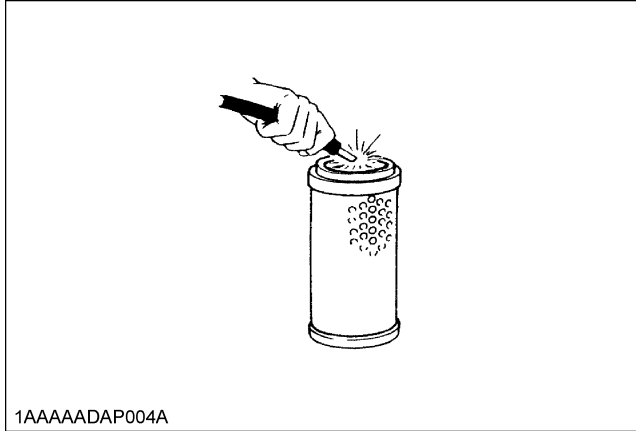


1AAAAABAP002A

The quickest and safest method of maintenance is the exchange of the element. Furthermore there are different methods of cleaning the element.

◆ Cleaning with compressed air

Pressure of compressed air must be under 205 kPa (2.1 kgf/cm²), and the element should be blown clean from the inside to the outside until the dust deposits are noticeably reduced.



1AAAAADAP004A

IMPORTANT :

- If the air suction is still inadequate, or the color of the exhaust gases is abnormal even after the cleaning, the air cleaner element must be replaced.
- Clean the air cleaner element regularly or foreign particles will accumulate, which will cause the DPF to become clogged in a shorter amount of time than expected. If this happens, the normal cleaning interval for the DPF (3000 hours) can't be followed.
- Do not tap-clean the element. The element may get deformed, which may adversely affect the air cleaner performance.

■ Cleaning Evacuator Valve

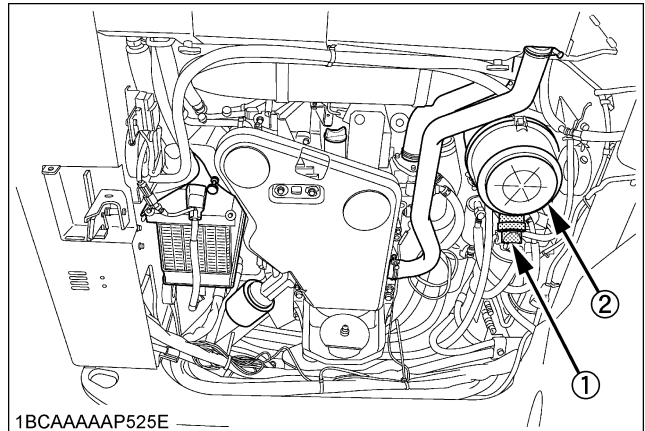


WARNING

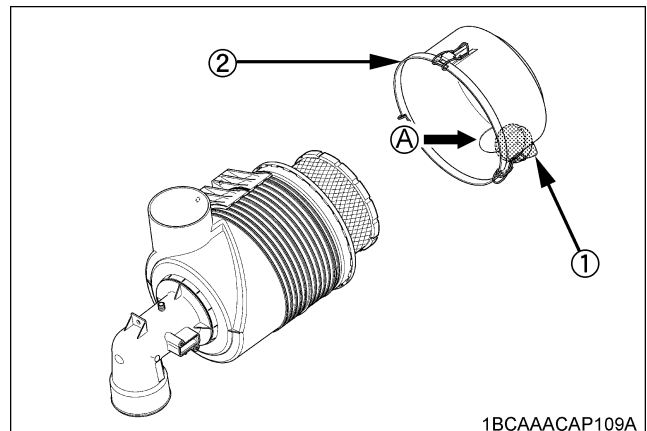
To avoid personal injury or death:

- Wear eye protection.
- While cleaning, foreign matters may drop out of the evacuator valve.

1. Open the rear door and engine hood.
2. Remove the dust-cover.
3. From behind the dust-cover, remove foreign matters of the evacuator valve.



1BCAAAAAP525E



1BCAAACAP109A

(1) Evacuator valve
(2) Dust cover

(A) Clean from behind

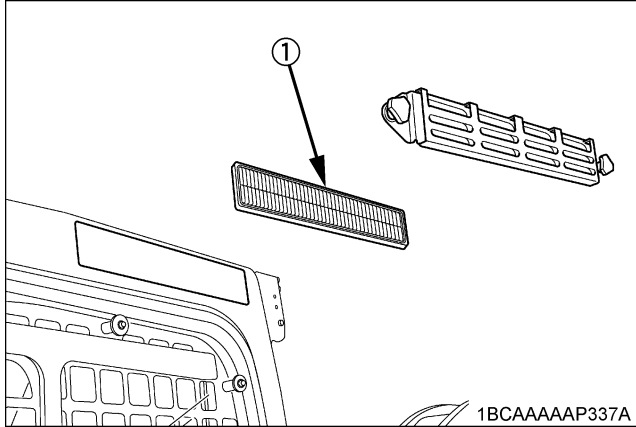
IMPORTANT :

- Failure to clean the evacuator valve may get the air cleaner element's service life shorter.

■ Cleaning Fresh Air Filter

Remove the fresh air filter, and blow air from the direction opposite to the filter's normal air flow.

Pressure of compressed air must be under 205 kPa (2.1 kgf/cm²).



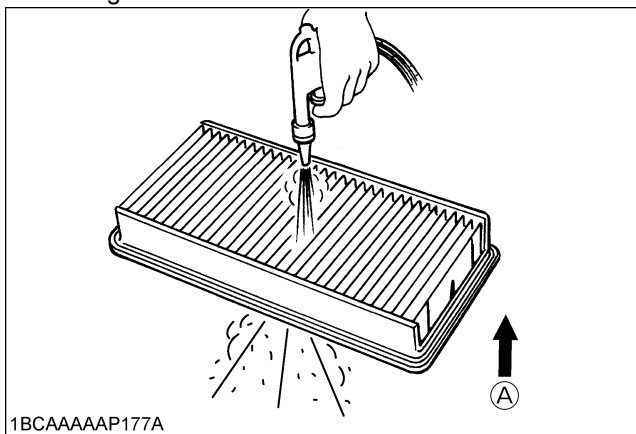
(1) Fresh air filter

◆ Cleaning the air filter

- Normal use
Blow air from the opposite direction to the filter's normal air flow.
Pressure of compressed air must be under 205 kPa (2.1 kgf/cm²).

IMPORTANT :

- Do not hit the filter. If the filter becomes deformed, dust may enter into the air-conditioner, which may cause damage and malfunction.



(A) "AIR CONDITIONER AIRFLOW"

IMPORTANT :

- Do not use gasoline, thinner or similar chemicals to clean the filter as damage to the filter may occur.
It may also cause an unpleasant odor in the Cab when the system is used next.

■ Cleaning Recirculation Air Filter

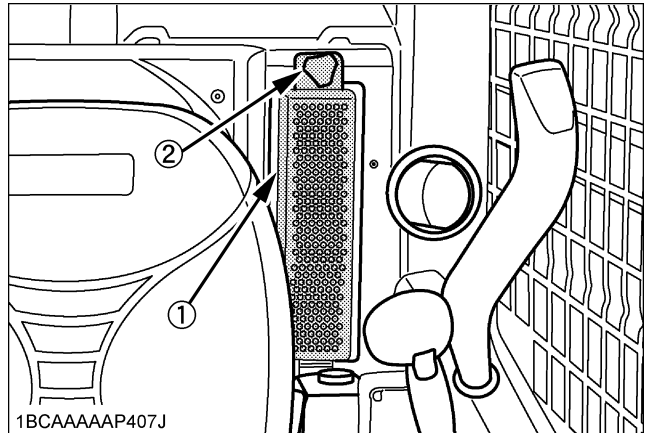


WARNING

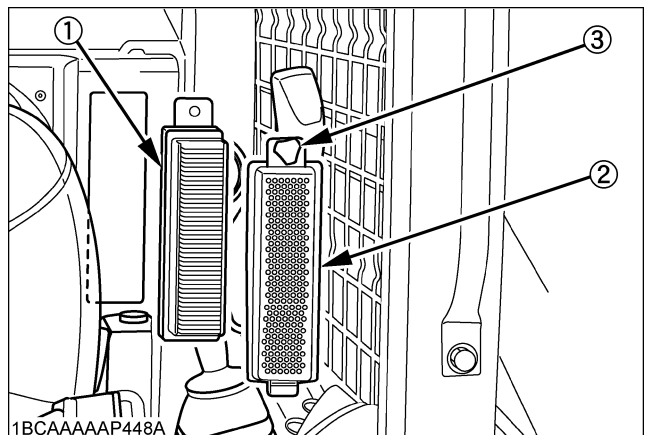
To avoid personal injury or death:

- When removing and attaching the filter, apply parking brake, stop the engine and remove the key.

Remove the thumbscrews and pull out filter.



(1) Cover
(2) Thumbscrew



(1) Recirculation air filter
(2) Cover
(3) Thumbscrew

NOTE :

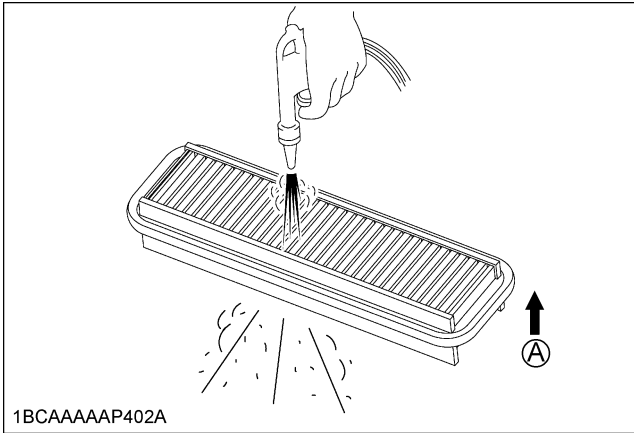
- Attach the filter and cover as the illustration above.

◆ Cleaning the air filter

- Normal use
Blow air from the opposite direction to the filter's normal air flow.
Pressure of compressed air must be under 205 kPa (2.1 kgf/cm²).

IMPORTANT :

- Do not hit the filter. If the filter becomes deformed, dust may enter into the air-conditioner, which may cause damage and malfunction.



1BCAAAAAP402A

(A) "AIR CONDITIONER AIRFLOW"

IMPORTANT :

- Do not use gasoline, thinner or similar chemicals to clean the filter as damage to the filter may occur. It may also cause an unpleasant odor in the Cab when the system is used next.

EVERY 250 SERVICE HOURS

Do all 50 hour servicing at the same time.

■ Checking Radiator Hoses and Clamps



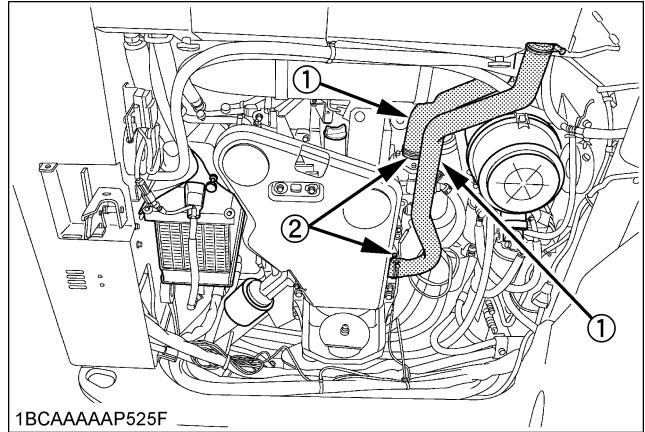
WARNING

To avoid personal injury or death:

- Wait long enough for the radiator coolant to cool down.

Check the water hoses for proper connection. This check should be carried out every 250 hours or every 6 months, whichever comes first.

1. Should the hose clamps become loose or water leaks, tighten the hose clamps properly.
2. Should the radiator hoses become swollen, aged or cracked, they must be replaced and the hose clamps tightened again properly.

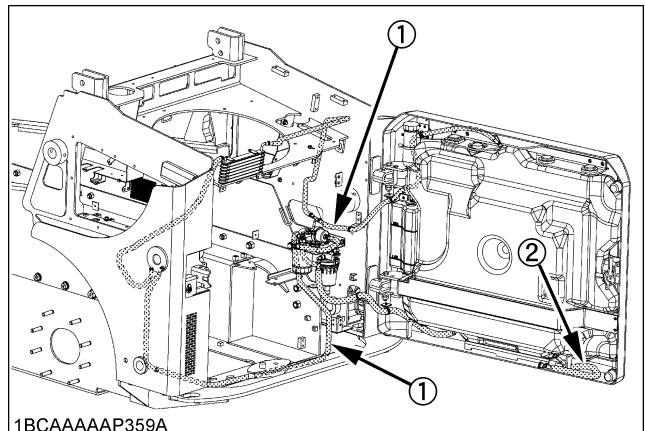


1BCAAAAAP525F

- (1) Radiator hose
- (2) Hose clamps

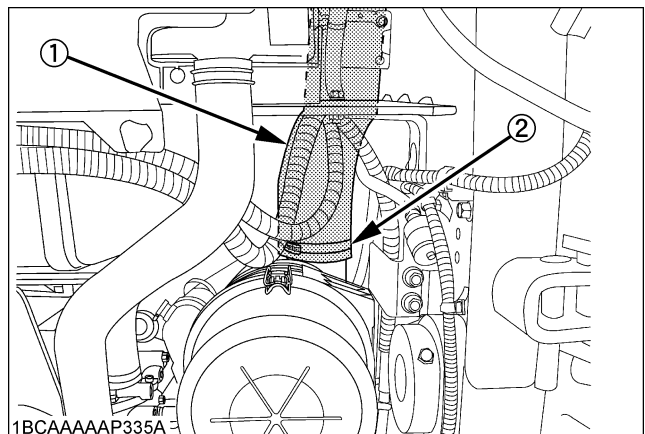
■ Checking Fuel Line and Intake Air Line

1. Check to see that all lines and hose clamps are tightened and not damaged.
2. If hoses and clamps are found worn or damaged, replace or repair them at once.



1BCAAAAAP359A

- (1) Fuel lines
- (2) Fuel drain line



1BCAAAAAP335A

- (1) Hose
- (2) Hose clamps

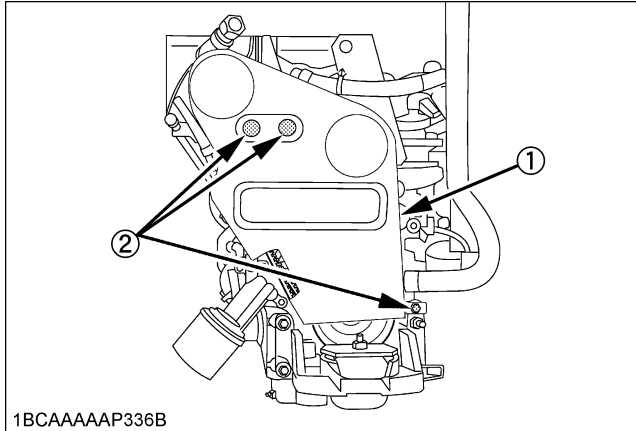
■ Adjusting V-belt Tension



WARNING

To avoid personal injury or death:

- First stop the engine and remove the key.
- After servicing, make sure to replace the belt cover in its original position.



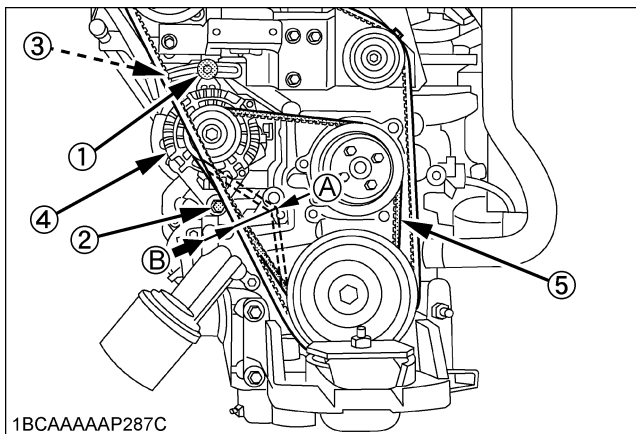
- (1) Belt cover
- (2) Bolts

◆ Checking and adjustment of the V-belt tension

1. Press the V-belt (5) down in the middle, with a force of approx. 98 N. The belt tension is correct if it deflects about 10.0 to 12.0 mm. If otherwise, loosen bolt (1), (2) and (3) and shift the alternator (4) in the direction shown by the arrow.

After adjustment of the V-belt tension, tighten all the bolts.

2. Replace the V-belt if worn out, cracked or torn.



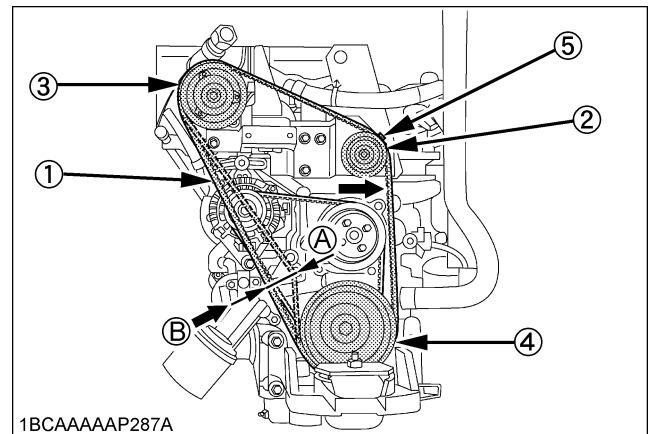
- (1) Bolt
- (2) Bolt
- (3) Adjuster bolt
- (4) Alternator
- (5) V-belt
- (A) about 10.0 to 12.0 mm
- (B) approx. 98 N

IMPORTANT :

- If the engine is run with a loose V-belt, the belt could slip and cause insufficient battery charging. Check V-belt tension regularly.
- Should the V-belt break or jump off, the indicator light for battery charge will light up. Stop the engine and remove the key immediately.

◆ Checking and adjustment of the air-conditioner belt tension [Closed cab model]

1. Press the air-conditioner belt down in the middle, with a force of approx. 98 N. The belt tension is correct if it deflects about 11 to 12 mm. If otherwise, loosen bolt of the tension pulley and shift the tension pulley in the direction shown by the arrow.
2. Replace the air-conditioner belt if worn out, cracked or torn.

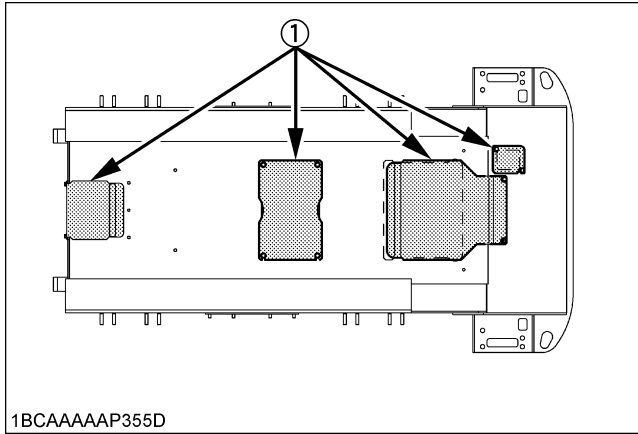


- (1) Air-conditioner belt
- (2) Tension pulley
- (3) Air-conditioner compressor
- (4) Pulley
- (5) Bolt
- (A) about 11 to 12 mm
- (B) approx. 98 N

■ Cleaning Inside of Main Frame

If mud, leaves or any debris are accumulated inside of main frame, it may cause damage to parts. Remove mud, leaves and any debris from the inside of the frame.

Refer to page 55 for detail procedure.

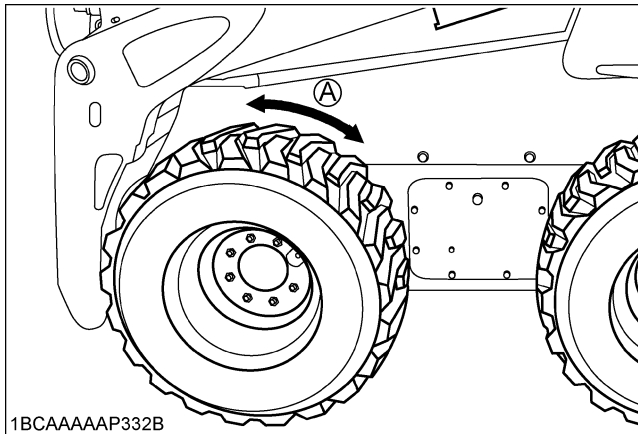


(1) Plates

■ Checking Drive Chain Tension

Check the tension of the four drive chains after the first 250 hours of operation on a new machine or if new chains have been installed and every 250 hours of operation.

1. Jack up the machine.
(See "Jacking Up the Machine" in "MAINTENANCE" section.)
2. With the machine blocked up, rotate each tire and check for allowable movement.



(A) Allowable movement

Allowable movement	SSV65	0.4 to 12 mm
	SSV75	0.3 to 12 mm

◆ Drive chain adjustment

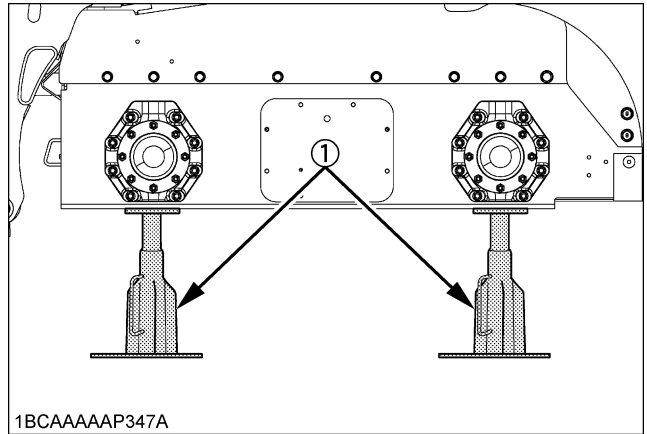


WARNING

To avoid personal injury or death:

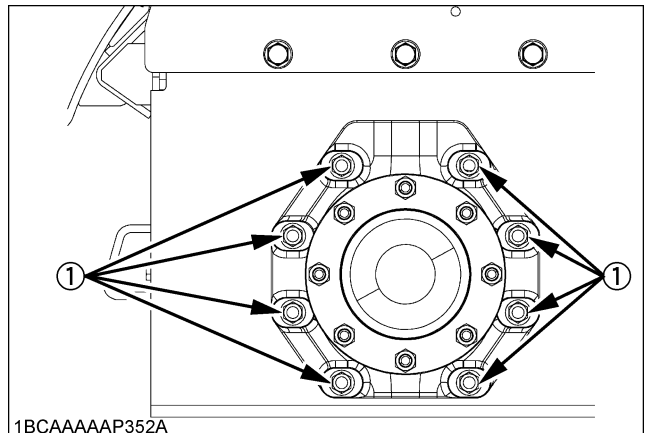
- Jack stands can slip or fall over. Dropping, tipping, or slipping of machine or its components is possible.
- DO NOT work under a vehicle supported by jack stands only. Park machine on a level surface. Block wheels. Support machine with safety stands.
- Failure to comply could result in death or serious injury.

1. To adjust the final drive chains, jack up and block the complete skid steer securely off the ground.



(1) Jack stands

2. Each axle drive chain is adjustable by loosening the retaining nuts and sliding the axle-hub assembly to remove the excessive slack.
To tighten the chains slide the front axle-hubs forward and rear axle-hubs rearward.
Tightening torque: 167 to 196 N-m

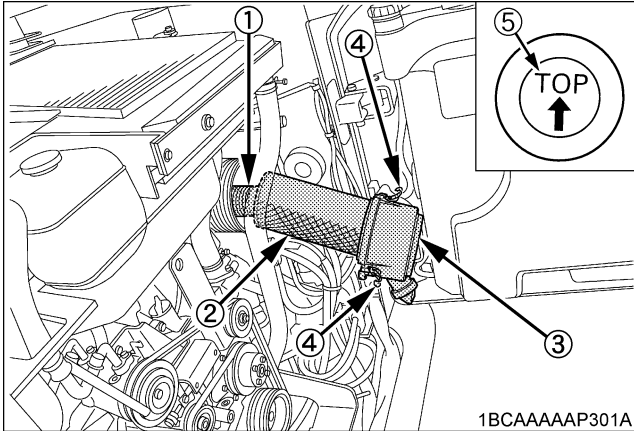


(1) Nuts

■ Replacing Air Cleaner Element

Open the rear door. Remove the dust-cover. Remove and replace both the outer element and inner element with new elements.

When reassembling, install the dust-cover so that its TOP mark (arrow) faces up-wards.



- (1) Inner element
- (2) Outer element
- (3) Dust-cover
- (4) Clamps
- (5) "TOP" mark

IMPORTANT :

- Shorten the replacement period if the machine is used in dusty or sandy areas.
- Replace the air cleaner element regularly or foreign particles will accumulate, which will cause the DPF to become clogged in a shorter amount of time than expected. If this happens, the normal cleaning interval for the DPF (3000 hours) can't be followed.
- Use KUBOTA genuine inner and outer element.
- Do not blow air to clean the case inside. It allows dust come into the inner element.
- Clean up the case inside with clean wet cloth. After cleaning, wipe it dry with clean dry cloth.

■ Changing Engine Oil



WARNING

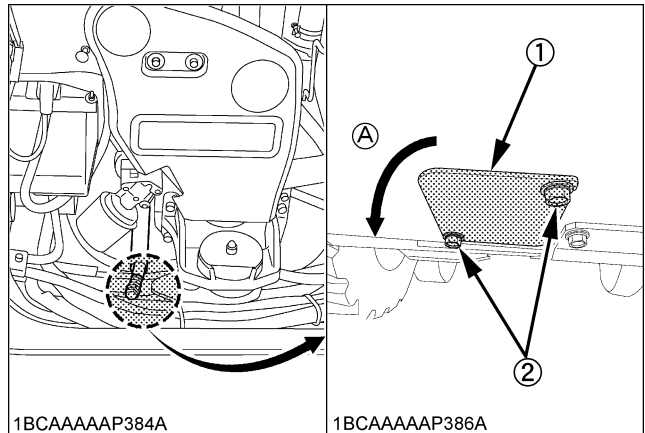
To avoid personal injury or death:

- First stop the engine then remove the key and wait long enough for the oil to cool down.

IMPORTANT :

- Before filling oil, wipe away all sand and dust from around the oil port. Make sure to use an identical type of engine oil.
- The machine has been filled with engine oil before delivery. See "RECOMMENDED OILS" section. (Do not mix different oils.)

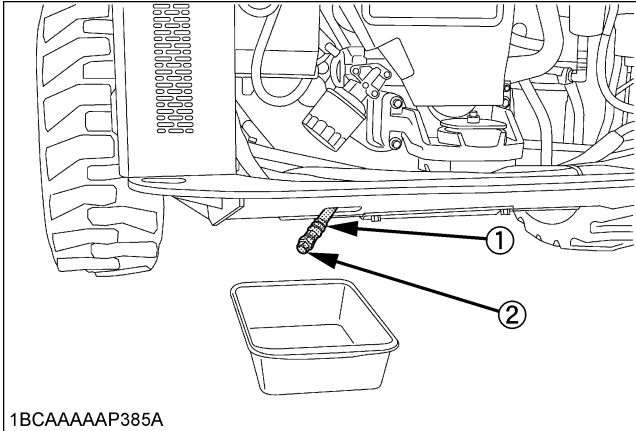
1. Loosen the bolts and slide the under cover on the bottom of the frame.



- (1) Under cover
- (2) Bolts

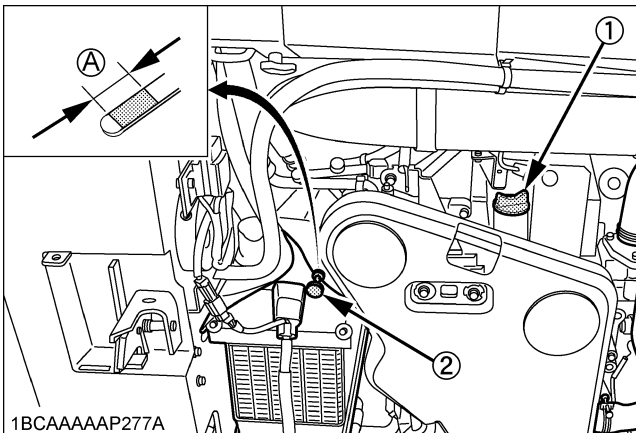
(A) Slide

2. Remove the drain plug from the oil drain hose and drain all oil.
3. Reinstall and tighten the drain plug.
4. Return the oil drain hose to the storage location, attach the under cover, and retighten the bolts.



(1) Oil drain hose
(2) Drain plug

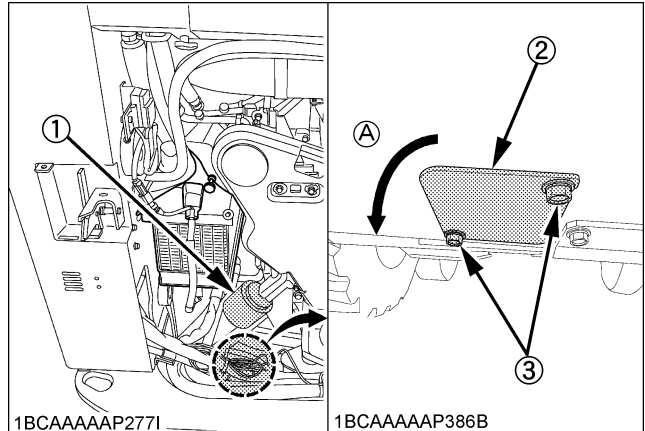
5. Fill up with new oil through the filling port to the specified level.



(1) Oil filling port
(2) Engine oil dipstick
(A) Required oil level range

■ Replacing Engine Oil Filter Cartridge

1. Pull the lever and open the rear door.
2. Loosen the bolts and slide the under cover on the bottom of the frame.
3. Replace the oil filter cartridge at the same time as doing the engine oil change.
4. Remove the cartridge with the filter wrench.



(1) Oil filter cartridge
(2) Under cover
(3) Bolts
(A) Slide

5. Oil the O-ring of the new oil filter cartridge lightly. Then tighten the oil filter cartridge by hand.
6. Return the oil drain hose to the storage location, attach the under cover, and retighten the bolts.
7. Fill engine oil to the specified level.
8. Let the engine run for approx. 5 min. and make sure that the engine oil indicator lamp does not light up. Then stop the engine and remove the key.
9. The engine oil level is reduced by the amount of the filter capacity after the engine is started. It is necessary to add oil.

IMPORTANT :

- Always check the oil level after having exchanged the filter.

Engine oil volumes (with engine oil filter)	SSV65	7.5 L
	SSV75	10.0 L

EVERY 500 SERVICE HOURS

Do all 50 and 250 hour servicing at the same time.

■ Replacing Fuel Filter Cartridge

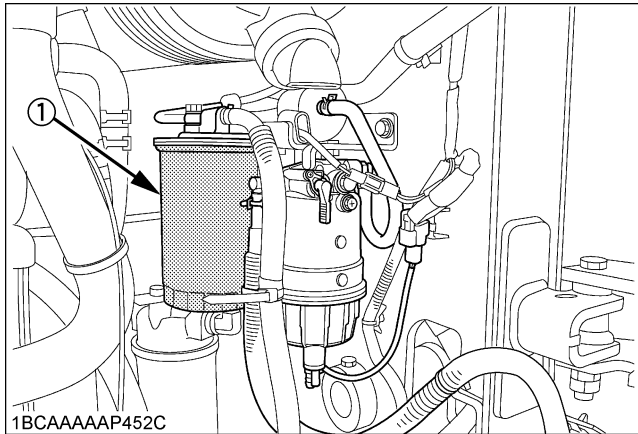


WARNING

To avoid personal injury or death:

- Keep fire away.

1. Remove the filter cartridge with the filter wrench.
2. Apply a small amount of fuel to the gasket of the replacement filter and tighten it by hand.



(1) Fuel filter cartridge

IMPORTANT :

- After exchange of the filter, the fuel system must be purged of air.
- If you don't replace the fuel filter cartridge regularly, the cleaning efficiency of the DPF (3000 hours) will be reduced and the DPF longevity will be shorter than expected.

■ Changing Chain Case Oil

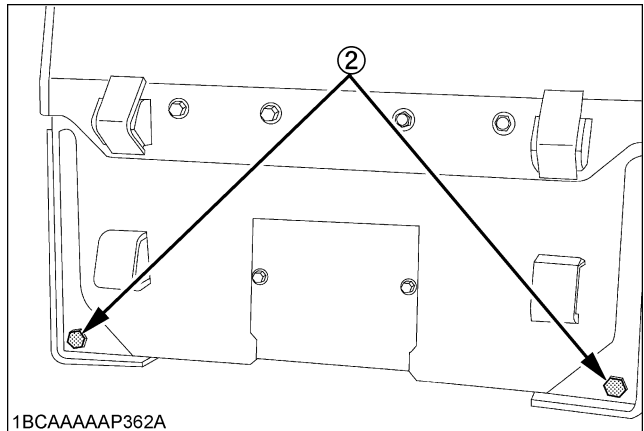
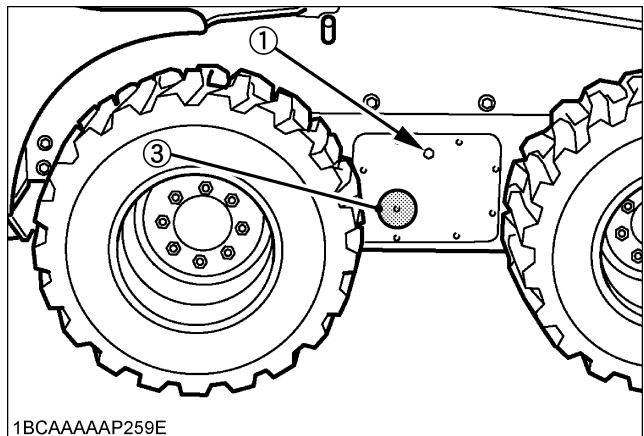


WARNING

To avoid personal injury or death:

- Raise the lift arms and install the lift arm stopper, stop the engine and remove the key before undertaking the oil change.

1. Remove the drain plugs to let the oil run out. Screw in and tighten the drain plugs again and fill with hydraulic oil through the oil filling port.
2. Fill oil until it overflows out of the oil check port.
3. Use prescribed hydraulic oil. (See "RECOMMENDED OILS" section.)

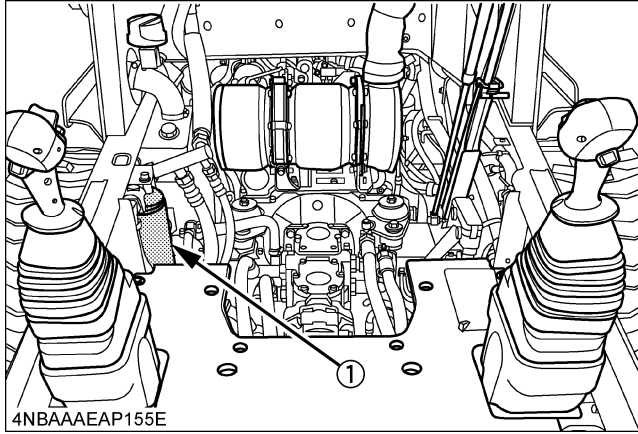


- (1) Oil filling port
- (2) Drain plugs
- (3) Oil check port

Hydraulic oil volume	SSV65	20.5 L each
	SSV75	28.0 L each

Changing Return Filter (First filter change: 250 hours)

See "Hydraulic Oil Change (Including Replacing Suction Filter in the Hydraulic Tank and Return Filter)" in "EVERY 1000 SERVICE HOURS" in "REGULAR CHECKS AND MAINTENANCE WORK" section.

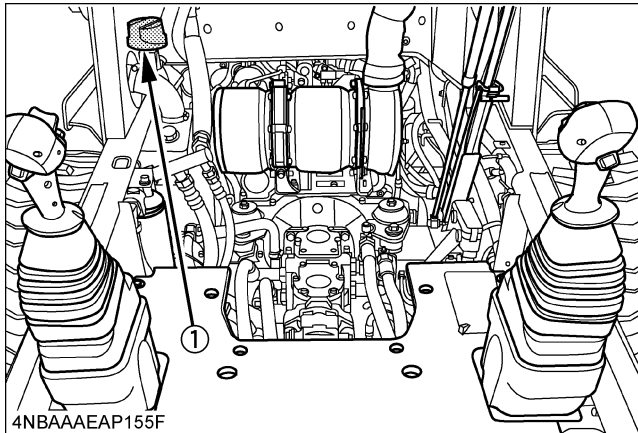


(1) Hydraulic oil filter (return)

Replacing Breather Filter

The breather filter for the hydraulic tank is located above the hydraulic tank

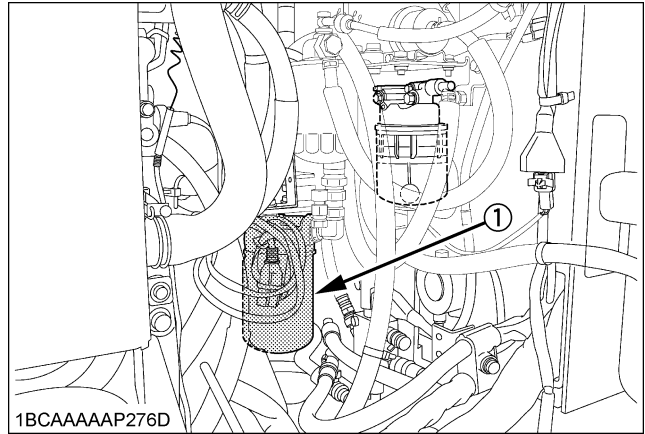
1. Raise the cab. (See "Tilting Up the CAB" in "OPENING AND CLOSING OF COMPONENTS" in "MAINTENANCE" section for detail.)
2. Open the cap of the filter cover.
3. Remove the breather filter and replace with the new one.
4. Tighten the cap of the filter cover.



(1) Breather filter

Replacing Hydraulic Oil Filter (First filter change: 50 hours)

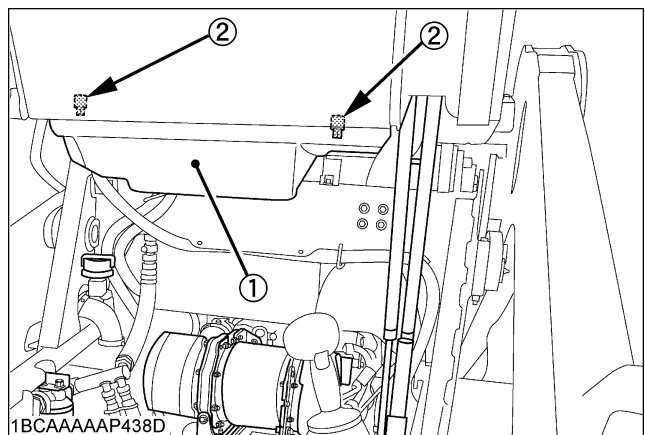
1. Raise the cab. (See "Tilting the CAB" in "OPENING AND CLOSING OF PARTS" in "MAINTENANCE" section for detail.)
2. Remove the hydraulic oil filter with the wrench and Replace with the new one.
3. Oil the O-ring of the new hydraulic filter cartridge lightly.
Then tighten the hydraulic filter cartridge by hand.



(1) Hydraulic oil filter

Checking Air-conditioner Drain

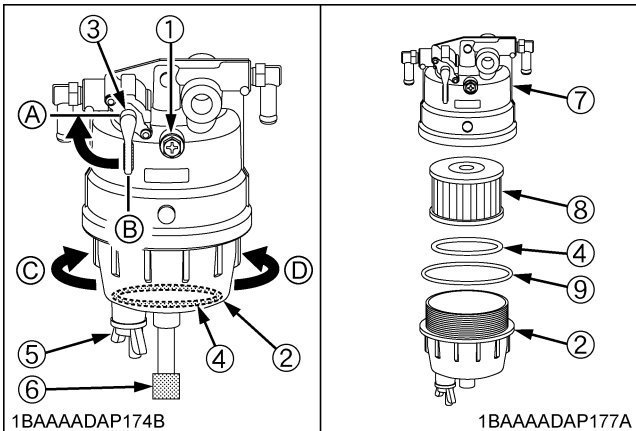
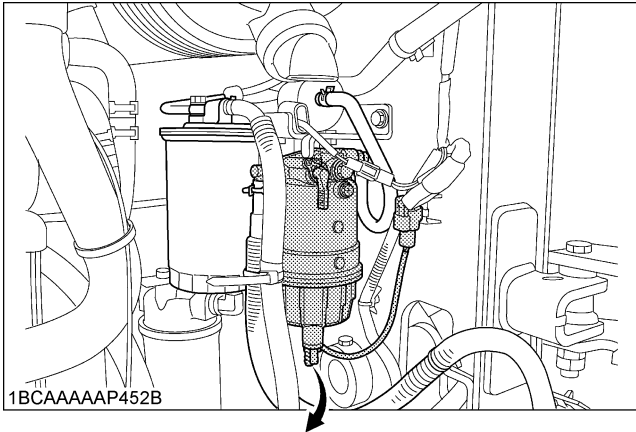
Check the air-conditioner unit cover to see if its drain hose end is clogged with dust and other foreign matters.



(1) Air-conditioner unit cover
(2) Air-conditioner drain

■ Replacing Water Separator Filter Element

1. Set the water shutoff-valve to the "CLOSE" position.
2. Loosen and remove the cup properly and replace the filter element.
3. Check the condition of the O-ring and replace if necessary.
4. Tighten up the cup properly.
5. Set the shutoff-valve to the "OPEN" position.



- | | |
|-------------------------------------|-------------|
| (1) Screw | (A) "CLOSE" |
| (2) Cup | (B) "OPEN" |
| (3) Shutoff-valve | (C) Loosen |
| (4) Float | (D) Tighten |
| (5) Drain plug | |
| (6) Connector of water level sensor | |
| (7) Head cover | |
| (8) Filter element | |
| (9) O-ring | |

IMPORTANT :

- In reattaching the water separator, be careful to keep off dust and dirt.
- Be sure to purge the fuel system before getting the machine restarted.
(See "PURGING OF THE FUEL SYSTEM" in "OTHER CHECKS AND REPLACEMENTS" section.)

EVERY 1000 SERVICE HOURS

Do all 50, 250 and 500 hour servicing at the same time.

■ Hydraulic Oil Change (Including Replacing Suction Filter in the Hydraulic Tank and Return Filter)



WARNING

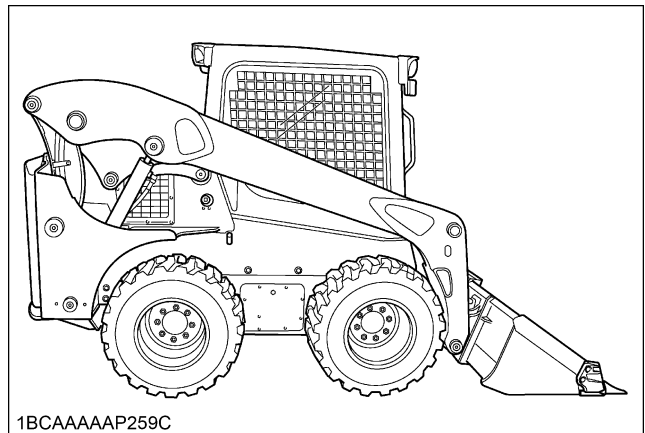
To avoid personal injury or death:

- Wait long enough for the hydraulic fluid to cool down. Then change the hydraulic fluid.

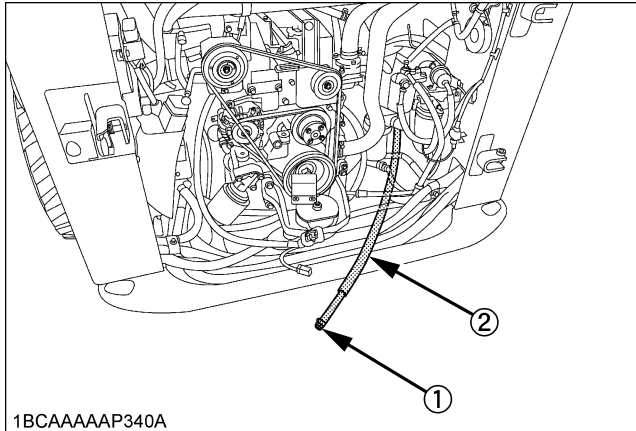
IMPORTANT :

- Before filling oil, wipe away all sand and dust from around the oil port. Make sure to use an identical type of hydraulic fluid.
- The machine has been filled with hydraulic fluid before delivery. See "RECOMMENDED OILS" section.
(Do not mix different oils.)

1. Park the machine on a firm, flat and level surface. Lower the lift arms to the ground and stop the engine.

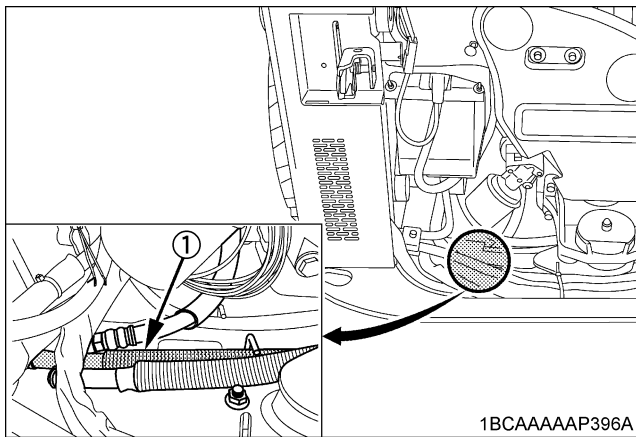


- Remove the drain plug from the oil drain hose and drain all oil.



- (1) Drain plug
- (2) Oil drain hose

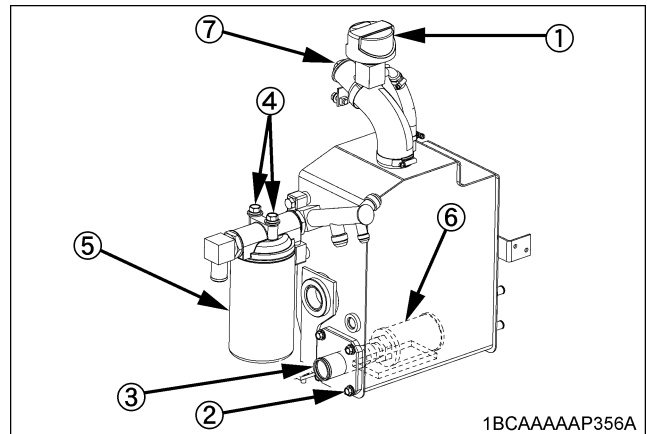
- Return the oil drain hose to its original position as illustrated bellow.



- (1) Oil drain hose

- Loosen the bolt and remove the cover.
- Remove the suction filter. Replace the filter with new one.
- Loosen the set bolt first and then remove the return filter. Replace the filter with new one.
- Install the hydraulic cover.

- Retighten the drain plug.



- (1) Breather filter
- (2) Bolt
- (3) Cover
- (4) Set bolt
- (5) Return filter
- (6) Suction filter
- (7) Oil filling port

- Fill oil through the oil filling port.
- Let the engine run and operate the lift arm, bucket. Then lower the lift arms slowly to the ground, stop the engine.
- Fill oil again up to the center of the gauge.

Hydraulic oil volumes	Hydraulic tank	11.2 L
	Whole oil volumes	35 L

- Tighten the oil filling port.

Hydraulic Oil Check with Hydraulic Hammers

The hydraulic oil change after 1000 operating hours in the operator's manual is based on normal work. Following inspection measures are valid when hydraulic hammers are used:

- Changing and filling up of hydraulic oil
 - The hydraulic oil must be changed more often when hammers are used because the machine is subject to harder conditions than normal work.
 - Use only the recommended oils mentioned in the operator's manual when changing or filling with oil.
 - When adding oil, do not mix oils of different makes.
- Changing the return filter and oil
 - The filter must be changed more often because of contamination resulting from the frequent detachment and reattachment of hoses.
 - Use the correct replacement filter.
 - Oil change according to operating hours.

		Hydraulic oil	Return filter	Suction Filter
Normal work		every 1000 Hrs.	every 500 Hrs. (250 Hrs. after first operation)	every 1000 Hrs.
Hammer work portion	20%	every 800 Hrs.		
	40%	every 400 Hrs.		
	60%	every 300 Hrs.		
	more	every 200 Hrs.		

Adjusting Engine Valve Clearance

Consult your local KUBOTA Dealer for this service.

EVERY 1500 SERVICE HOURS

Do all 50, 250 and 500 hour servicing at the same time.

Checking Injector Tip

Consult your local KUBOTA dealer for this service.

Replacing Oil Separator Element

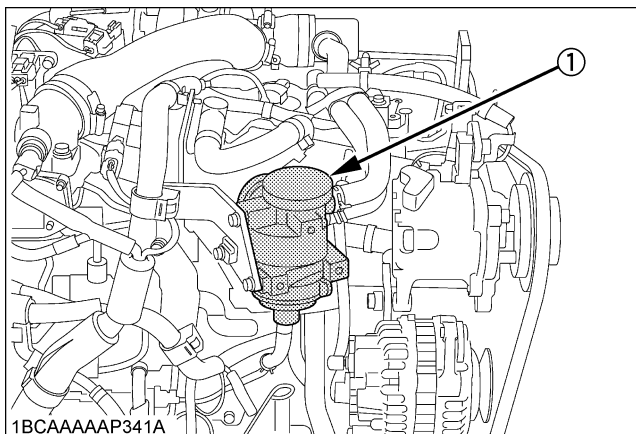


WARNING

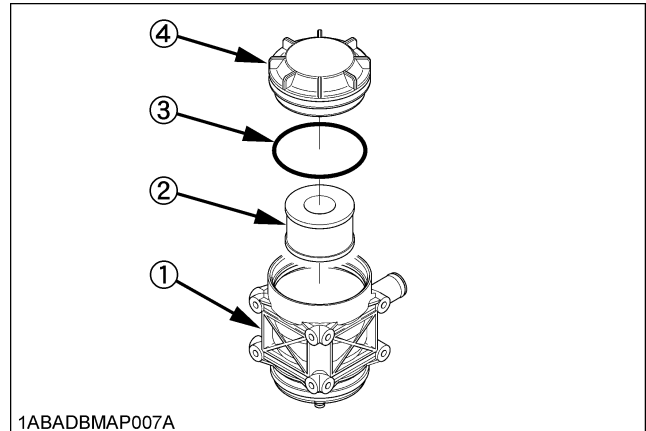
To avoid personal injury or death:

- Be sure to stop the engine before replacing the oil separator element.

1. Remove the cover and take out the element. Wipe off oil and the carbon in the case with a clean rag.
2. Fit a new oil separator element and O ring.
3. Tighten the cover until it comes into contact with the body.



(1) Oil separator



1ABADBMAP007A

- (1) Body
- (2) Oil separator element
- (3) O ring
- (4) Cover

Checking PCV (Positive Crankcase Ventilation) Valve

Consult your local KUBOTA Dealer for this service.

Checking EGR Cooler

Consult your local KUBOTA Dealer for this service.

EVERY 2000 SERVICE HOURS

Do all 50, 250, 500 and 1000 hour servicing at the same time.

Checking the Alternator and Starter Motor

NOTE :

- Contact your KUBOTA dealer for details.

EVERY 3000 SERVICE HOURS

Do all 50, 250, 500, 1000 and 1500 hour servicing at the same time.

Checking EGR System

Consult your local KUBOTA dealer for this service.

Checking Turbocharger

Consult your local KUBOTA dealer for this service.

Cleaning Diesel Particulate Filter (DPF)

The longer the DPF operates, the more ash (burnt residue) is collected in the filter. Too much ash build-up adversely affects the DPF performance. Consult your local KUBOTA Dealer to clean up the filter.

IMPORTANT :

- To clean up the DPF, a specific machine is required. Do not attempt to clean it in any other way, such as disassembling, shaking and heating as toxic chemicals may be present inside of the DPF.

ANNUAL SERVICING**■Checking Air-Conditioner Pipes and Hoses****WARNING**

To avoid personal injury or death:

- Do not touch the air-conditioner hoses or the heater with your hand. You may get burned.
1. Check to see that all lines and hose clamps are tight and not damaged.
 2. If hoses and clamps are found worn or damaged, replace or repair them at once. (Consult your local KUBOTA Dealer for this service.)

■Checking Exhaust Manifold (Cracks, Gas, Leakage and Mounting Screw)

Consult your local KUBOTA Dealer for this service.

■Checking Intake Air Line for Air Leaks

Consult your local KUBOTA Dealer for this service.

■Checking Boost Sensor and AFS (Air Flow Sensor)

Consult your local KUBOTA Dealer for this service.

■Checking Condition of Diesel Particulate Filter (DPF) Muffler

Consult your local KUBOTA Dealer for this service.

■Checking Diesel Particulate Filter (DPF) Differential Pressure Sensor and Piping for Gas Leak

Consult your local KUBOTA Dealer for this service.

■Checking Diesel Particulate Filter (DPF) Exhaust Gas Temperature Sensor

Consult your local KUBOTA Dealer for this service.

■Checking EGR Piping for Gas Leak

Consult your local KUBOTA Dealer for this service.

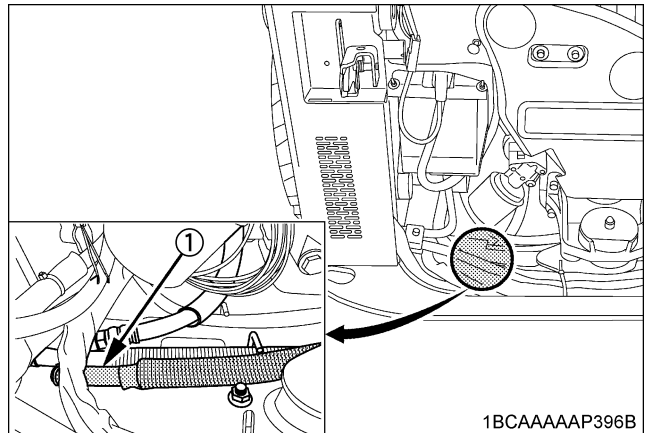
BIENNIAL SERVICING**■Changing Radiator Coolant****WARNING**

To avoid personal injury or death:

- When using anti-freeze, use protective clothing such as rubber gloves (Anti-freeze contains poison.).
- If anti-freeze has been swallowed, seek medical attention at once.
- When anti-freeze comes in contact with skin or clothing, wash it off immediately.
- Do not mix different types of Anti-freeze. The mixture can produce a chemical reaction causing harmful substances or vapors.
- Anti-freeze is extremely flammable and explosive under certain conditions. Keep fire and children away from anti-freeze.
- When draining fluids from the engine, collect them with a container underneath the engine body.
- Do not pour waste onto the ground, down a drain, or into any water source.
- Observe all relevant environmental protection regulations when disposing of anti-freeze.
- Anti-freeze if swallowed is poisonous to people, animals and birds.

Park the machine on a firm, flat and level surface, lower the lift arms to the ground and stop the engine then remove the key and wait until it has cooled down completely.

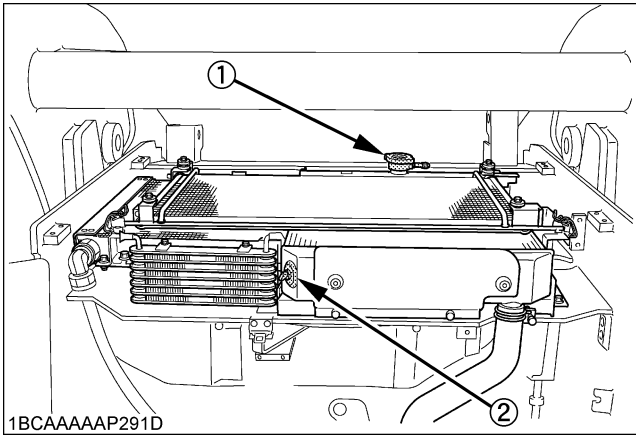
1. Remove the drain plug from the coolant drain hose and drain coolant completely. Should a recovery tank be equipped, disconnect the line from the tank floor and then open the drain shutoff-valve.
2. Return the coolant drain hose to its original position as illustrated below.



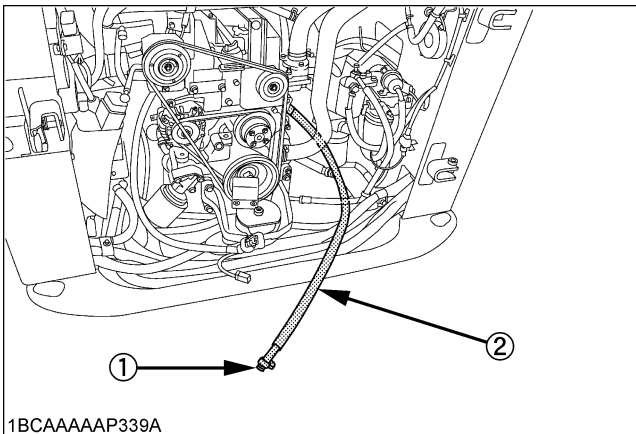
(1) Coolant drain hose

3. To clean, rinse the radiator with water.

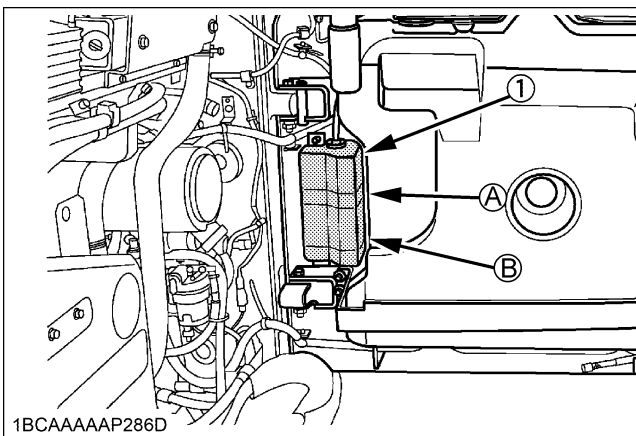
4. Close the drain plug and fill the radiator and the recovery tank with coolant fluid. Let the engine idle for about 5 min., stop the engine and remove the key.
5. Check the coolant level of recovery tank and add the coolant if necessary.
6. The machine has been shipped filled with 50% anti-freeze solution.



(1) Radiator cap
(2) Shutoff-valve



(1) Drain plug
(2) Coolant drain hose



(1) Coolant recovery tank (A) "FULL"
(B) "LOW"

Radiator	SSV65	6.8 L
	SSV75	7.6 L
Recovery tank	each model	2.0 L

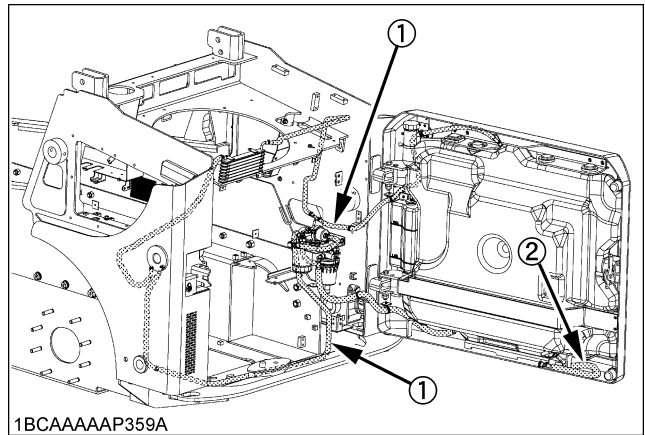
IMPORTANT :

- Do not operate the engine without coolant.
- To fill the radiator system and the recovery tank, use fresh water and anti-freeze fluid.
- When the anti-freeze is mixed with water, the anti-freeze mixing ratio must be less than 50%.
- Tighten the radiator cap properly. If the cap is loose or not properly fitted, overheating of the engine can result due to coolant fluid loss.

■ Replacing Fuel Hose

Replace the hoses and clamps.

(See "Checking Fuel and Intake Air Line" in EVERY 250 SERVICE HOURS section.)

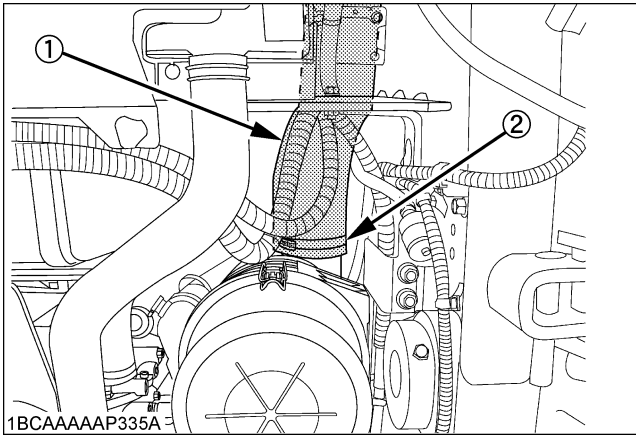


(1) Fuel lines
(2) Fuel drain line

■ Replacing Intake Air Line

Replace the hose and clamps.

(See "Checking Fuel and Intake Air Line" in EVERY 250 SERVICE HOURS section.)



(1) Hose
(2) Hose clamps

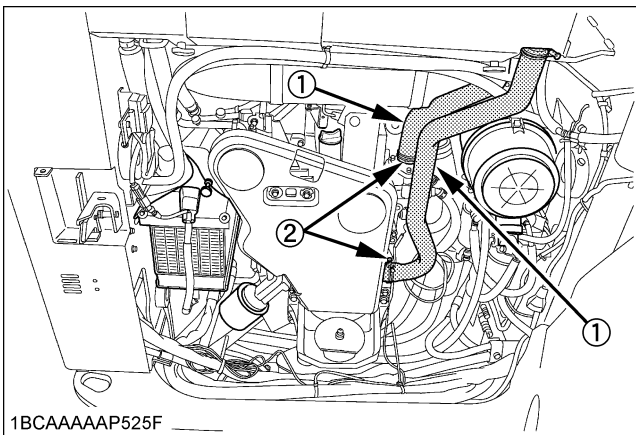
■ Replacement of Radiator Hoses



WARNING

To avoid personal injury or death:

- Replace radiator hoses and hose clamps every two years. If the hoses are swollen, hard or cracked, they must be replaced earlier.



(1) Radiator hose
(2) Hose clamps

■ Replacing Air-Conditioner Pipes and Hoses



WARNING

To avoid personal injury or death:

- Do not touch the water hoses or the heater with your hand. You may get burned.

Replace air-conditioner pipes and hoses every two years. If the hoses or pipes are swollen, hard or cracked, they should be replaced. (Consult your local KUBOTA Dealer for this service.)

■ Replacement of Closed Breather Related Rubber Piping

Consult your local KUBOTA Dealer for this service.

■ Replacement of Diesel Particulate Filter (DPF) Differential Pressure Sensor Rubber Piping (Front and Back)

Consult your local KUBOTA Dealer for this service.

■ Replacement of Suction pipe downstream the AFS (Air Flow Sensor)

Consult your local KUBOTA Dealer for this service.

■ Replacement of Boost Sensor Pressure Rubber Piping

Consult your local KUBOTA Dealer for this service.

■ Replacement of EGR Cooler Hose

Consult your local KUBOTA Dealer for this service.

SERVICING AS REQUIRED

■ Checking Amount of Refrigerant (gas)



WARNING

To avoid personal injury or death:

- Liquid contact with eyes or skin may cause frostbite.
- In the event of a leakage, wear safety goggles. Escaping refrigerant can cause severe injuries to eyes.
- In contact with a flame, R134a refrigerant gives a toxic gas.
- Do not disconnect any part of the refrigeration circuit of the air conditioning system. Consult your local KUBOTA Dealer for assistance and service.

If the air-conditioner performance is reduced, check the following points (1)-(2).

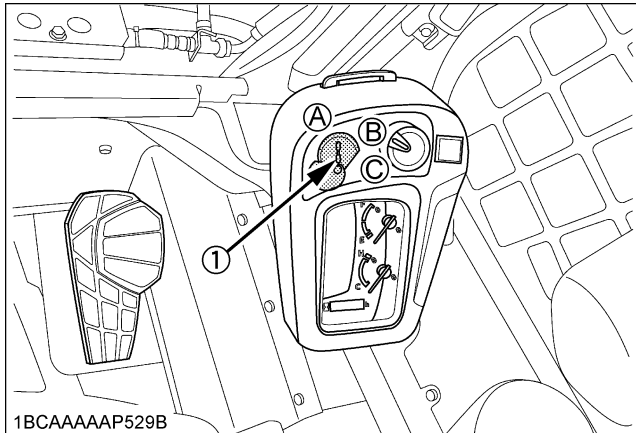
- (1) Air-conditioner condenser is clogged.
- (2) Air-conditioner belt is loosened.

If there is nothing unusual with the above points, a shortage of refrigerant is possible. Too short refrigerant may cause a poor performance of the air-conditioner. Consult your local KUBOTA Dealer for servicing and replenishment.

OTHER ADJUSTMENTS AND REPLACEMENTS

PURGING OF THE FUEL SYSTEM

1. Fill up the machine with fuel.
2. Turn the starter key to the "RUN" position.
3. The air in the fuel system will automatically be purged within one minute.



(1) Starter switch

(A) "STOP"
(B) "RUN"
(C) "START"

IMPORTANT :

- If the purging was insufficient, the engine dies right after starting. In this case repeat steps 2 to 3 again.

TIRES

■ Handling Tires



WARNING

To avoid personal injury or death:

- Before handling tires, stop the engine, set the parking brake switch to the parking position, lower the bucket and attachment to the ground, release the hydraulic pressure in the hydraulic system by operating control levers. Lock all control levers in neutral, and remove the key.
- When raising the tire, block up the chassis for safety.
- Before adding air, have the tire correctly installed on the machine or put the tire in a retaining device (tire inflation cage). Explosive separation of the tire can cause serious injury.

■ Checking of Tires

See "Checking of Tires" in "DAILY CHECKS" in "MAINTENANCE" section.

■ Changing Tires

See "Changing Tires" in "EVERY 50 SERVICE HOURS" in "REGULAR CHECKS AND MAINTENANCE WORK" section.

■ Mounting Tires

See "Mounting Tires" in "EVERY 50 SERVICE HOURS" in "REGULAR CHECKS AND MAINTENANCE WORK" section.

FUSES



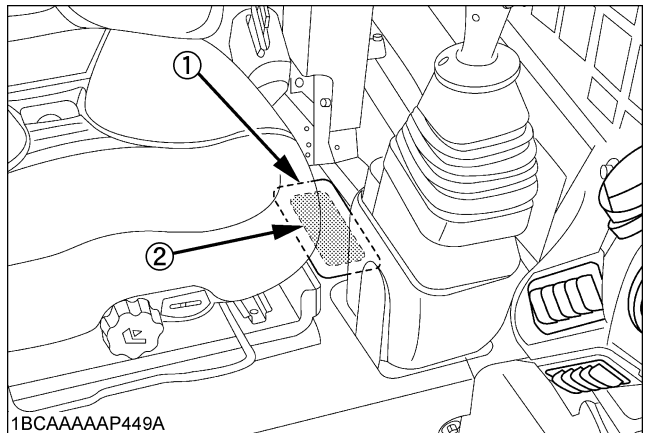
WARNING

To avoid personal injury or death:

- When changing fuse, stop the engine and turn the key in position "STOP". Keep the lock lever for attachment control in the "LOCK" position.

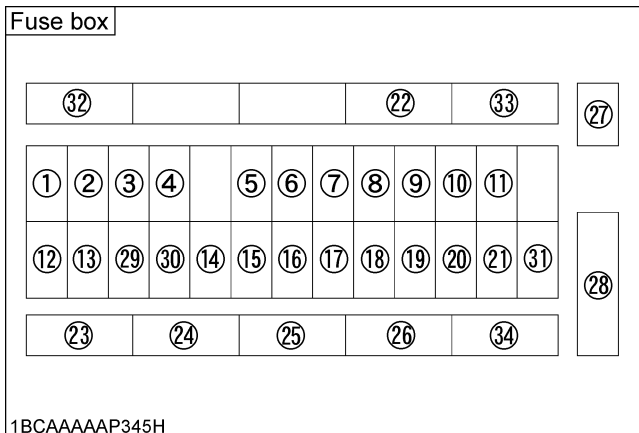
■ Replacing Fuses

1. Detach the cover and remove the cover of the fuse box.
2. Replace the burnt out fuse with a fuse having the same capacity.



(1) Cover
(2) Fuse box

■ Fuse Capacities and Circuits



1	Engine elements [5A]	15	AUX electrical power [15A]
2	Alternator [5A]	16	Meter(+B) [5A]
3	Control elements [5A]	17	Arm harness [20A]
4	Fuel pump [5A]	18	electrical outlet [15A]
5	CRS ECU (AC) [5A]	19	Attachments-1 [20A]
6	ECU main power [30A]	20	Rear work lights [15A]
7	Air ride seat [15A]	21	Horn [10A]
8	Attachments-2 [20A]	22	Front work lights
9	Switch (starter) [5A]	23	Horn
10	Attachment (+B) [15A]	24	Rear work lights
11	Front work lights [30A]	25	Starter
12	Switch (AC) [5A]	26	CRS
13	Indicator (Air Cleaner) [5A]	27	Glow
14	ECU (+B) [5A]	28	Electrical outlet

[Closed cab model]

29	Compressor [10A]	32	Compressor
30	Blower motor [30A]	33	Wiper
31	Wiper [15A]	34	Blower

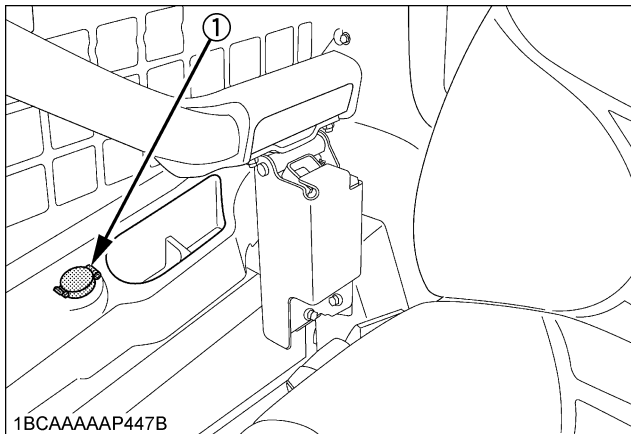
NOTE :

- The fuses of No. 8, No. 10 and No. 19 are not set at the factory. When using the attachments, contact your KUBOTA dealer.

■ Electrical Outlet

Max power is less than 120 W.

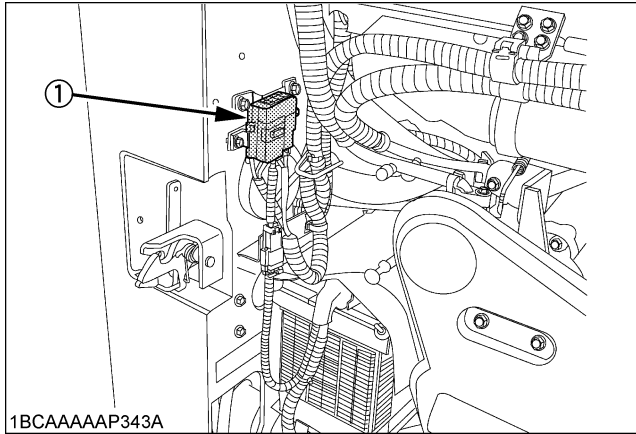
If you need another auxiliary electric, contact your KUBOTA dealer for details.



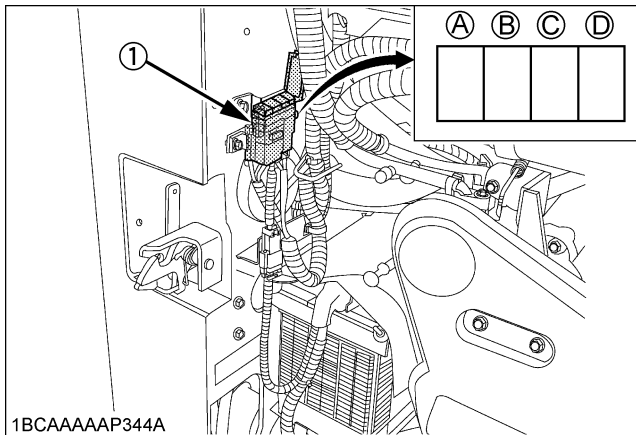
(1) Electrical outlet

■ Slow Blow Fuse

Slow blow fuse is provided to protect the electrical circuits. If the slow blow fuse is blown, check the electrical circuits for trouble and then replace with a new compatible slow blow fuse.



(1) Slow blow fuse



(1) Slow blow fuse

[Open cab model]

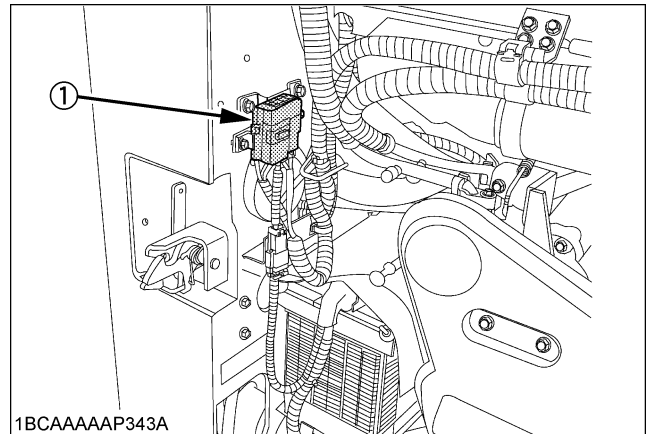
	Protected circuit	Fuse type
(A)	Main [60A]	Bolted
(B)	Alternator [SSV65: 80A] [SSV75: 100A]	Bolted
(C)	CRS [30A]	Plug-in
(D)	Glow CAB [60A]	Plug-in

[Closed cab model]

	Protected circuit	Fuse type
(A)	Main [60A]	Bolted
(B)	Alternator [100A]	Bolted
(C)	CRS [30A]	Plug-in
(D)	Glow CAB [60A]	Plug-in

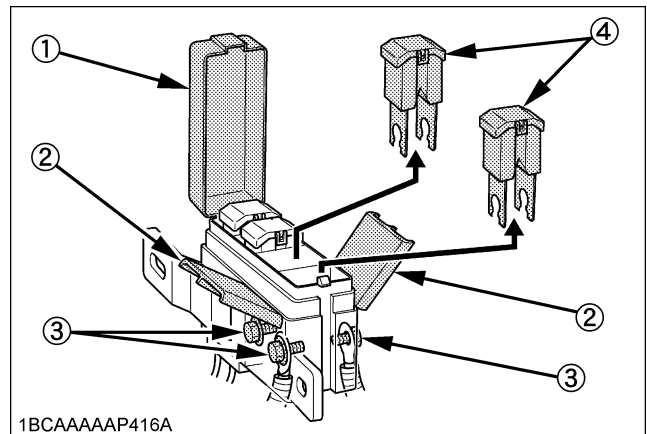
**◆ Replacement procedure
[Bolted slow blow fuse]**

1. Disconnect the negative cord of the battery.
2. Remove the slow blow fuse case.



(1) Slow blow fuse case

3. Open the slow blow fuse case cap and cover then remove the bolts and draw out the bolted slow blow fuse.



- (1) Slow blow fuse case cap
- (2) Cover
- (3) Bolt
- (4) Bolted slow blow fuse

TROUBLESHOOTING

If the machine does not perform as expected, or if trouble arises, refer to the table below undertake the appropriate measures.

Trouble		Cause	Countermeasure
Engine	Starting difficulties	Fuel is too viscous.	* Check fuel tank and filter. * Remove impurities and water. * If necessary, replace filter.
		Air or water in the fuel system	* Remove water from the fuel tank. * Check fuel pipe joint bolts and nuts for looseness. * Purging of the fuel system (for fuel filter and supply pump, see "PURGING OF THE FUEL SYSTEM" in "OTHER ADJUSTMENTS AND REPLACEMENTS" section.)
		Fuse is blown out.	* Check the fuse and replace it with a same-capacity one as required.
		Oil viscosity is too high the engine runs sluggishly in winter.	* Use the engine block heater (option).
		Battery is almost dead; insufficient compression.	* Recharge battery.
	Insufficient engine power	Low fuel level	* Check fuel and add if necessary.
		Clogged air cleaner	* Clean the air cleaner element.
	Engine suddenly stops.	Low fuel level	* Check fuel and add if necessary. * Purge the fuel system.
	Abnormal exhaust gas color	Poor fuel	* Use high quality fuel.
		Too much engine oil	* Drain engine oil to prescribed oil level.
	Water temperature in red zone (Overheating)	Defective seal of the water pump	* Replace.
		Worn or torn V-belt	* Adjust or replace.
		Thermostat is defective.	* Replace.
		Coolant level too low	* Fill to prescribed level.
		Radiator grill or fins are clogged.	* Clean.
		Coolant is contaminated with rust from the cylinder head or crank case.	* Replace coolant fluid and add anti-rust.
		Defective radiator cap (Evaporation)	* Replace.
		Corroded coolant pipes	* Clean.
		Continuous operation under full load	* Reduce load.
		Cylinder head gasket is damaged (Coolant loss).	* Replace.
Engine oil level too low		* Fill to prescribed level.	
Maladjustment of fuel injection		* Readjust ignition timing.	
Use of poor fuel		* Use prescribed fuel.	

Trouble		Cause	Countermeasure
Hydraulic System	Lift arms, bucket, drive unit power is too low.	Hydraulic oil level too low	* Add oil.
		Leakages of hoses and / or joints	* Replace hose or joint.
		Armrest is in "Raised" position. Operator is not in the operator's seat. Hydraulic unlock switch is not pressed.	* Lower the armrests. * Sit in the operator's seat. * Press the hydraulic unlock switch.
Drive System	Deviation of drive direction	Drive chain tension too loose or too tight	* Adjust accordingly.
Electric system	"▲" mark appears in the instrument panel.	Electric system is malfunctioning.	* Check the error code number of next page and contact your local dealer.

List of Error Code Numbers

◎ : Sure to happen ○ : May happen

Error Code Number	Problem or Failure	Machine condition				Provisional measure and Correction
		Engine performance			Machine performance	
		Acceleration limited	Engine output limited	Engine stopped		
E: 001	CAN communication	-	-	-	---	Immediately contact your local dealer.
E: 004	Hydraulic oil temperature advance warning	-	-	-	---	Stop the engine and check the level in the hydraulic oil tank, for a hydraulic oil leak and grill or oil cooler is clogged. Fill to proper level.
E: 005	Hydraulic oil temperature has reached a specified level.	◎	-	-	---	Stop the engine and check the level in the hydraulic oil tank and for a hydraulic oil leak. Fill to proper level. If this error code number still appears, immediately contact your local dealer.
E: 008	Fuel sensor system	-	-	-	The fuel level indicator does not appear on the meter. The machine's other functions are still operative.	Immediately contact your local dealer.
E: 009	Acceleration system	-	-	-	The accelerator fails, but the machine's other functions are still operative. The machine is operative at the idling rpm.	Move the machine to a place suited for repair. Immediately contact your local dealer.
E: 010	High-speed switching system	-	-	-	The machine still runs at low speed without switching to high speed. The machine's other functions are still operative.	Immediately contact your local dealer.
E: 011	Parking brake system	-	-	-	The machine fails to move.	Immediately contact your local dealer.
E: 014	High-flow system	-	-	-	The high-flow system is not turned on. The machine's other functions are still operative.	Immediately contact your local dealer.
E: 015	Hydraulic quick-hitch system	-	-	-	The hydraulic quick-hitch system is not turned on. The machine's other functions are still operative.	Immediately contact your local dealer.
E: 016	Auxiliary hydraulic control system (Control switch on the knob)	-	-	-	The auxiliary hydraulic control system is not turned on. The machine's other functions are still operative.	Immediately contact your local dealer.
E: 018	Auxiliary hydraulic control system (Solenoid valve for Rightward SW)	-	-	-	The auxiliary hydraulic control system is not turned on. The machine's other functions are still operative.	Immediately contact your local dealer.

Error Code Number	Problem or Failure	Machine condition				Provisional measure and Correction
		Engine performance			Machine performance	
		Acceleration limited	Engine output limited	Engine stopped		
E: 019	Auxiliary hydraulic control system (Solenoid valve for Leftward SW)	-	-	-	The auxiliary hydraulic control system is not turned on. The machine's other functions are still operative.	Immediately contact your local dealer.
E: 020	Electronic travel torque management system	-	-	-	The anti-stall solenoid fails to function. The machine fails to move.	Immediately contact your local dealer.
E: 021	The sensor's 5V power supply is short-circuited.	-	-	-	The majority of systems fail. *The engine may be started and the machine may move. But do not try any jobs. (Just move the machine to a safe place.)	Immediately contact your local dealer.
E: 022	Fan rpm control solenoid valve cable broken.	-	-	-	The fan speed is kept its highest level.	Immediately contact your local dealer.
E: 023	This error code number appears if a jumper cable is connected to a 24V battery or improper device to jump start the engine.	-	-	-	Immediately stop using connected device and disconnect the 24V battery. When the engine gets restarted and is running with no error code number appearing, it means there is no problem.	If this error code number still appears, immediately contact your local dealer.
E: 024	Hydraulic oil temperature sensor error	-	-	-	The traveling speed is kept low speed.	Immediately contact your local dealer.
E: 026	CRS CAN communication	○	○	-	---	Immediately contact your local dealer.
E: 027	Solenoid for the ride control is broken or short-circuited.	-	-	-	The ride control stops.	Immediately contact your local dealer.
E: 028	Solenoid for the fan is broken or short-circuited.	-	-	-	The fan speed is kept its highest level.	Immediately contact your local dealer.
E: 029	Solenoid for the hydraulic lock system (arm) is broken or short-circuited.	-	-	-	The solenoid for the hydraulic lock system stops.	Immediately contact your local dealer.
E: 029	Acceleration system	○	-	-	The machine is operative at the idling rpm.	Move the machine to a place suited for repair. Immediately contact your local dealer.
E: 030	Solenoid for the hydraulic lock system (bucket) is broken or short-circuited.	-	-	-	The solenoid for the hydraulic lock system stops.	Immediately contact your local dealer.
E: 030	ECU CAN communication cable broken	-	-	-	The traveling speed is kept low speed and the fan speed is kept its highest level.	Immediately contact your local dealer.
E: 031	The pressure sensor of the high speed mode is broken or short-circuited.	-	-	-	The traveling speed is kept low speed.	Immediately contact your local dealer.

Error Code Number	Problem or Failure	Machine condition				Provisional measure and Correction
		Engine performance			Machine performance	
		Acceleration limited	Engine output limited	Engine stopped		
E: 032	Float mode selector solenoid cable broken or short-circuited	-	-	-	The float solenoid fails to function and the float mode is not turned on.	Immediately contact your local dealer.
E: 036	Forward detection pressure sensor (right) cable broken	-	-	-	The back buzzer malfunctions when the right wheels move forward.	Immediately contact your local dealer.
E: 037	Forward detection pressure sensor (left) cable broken	-	-	-	The back buzzer malfunctions when the left wheels move forward.	Immediately contact your local dealer.
E: 9000	Requirement for DPF regeneration.	-	-	-	DPF must be regenerated, but low engine rpm is unable to start DPF regeneration.	Rev up the engine rpm and start DPF regeneration. If this error code number still appears, immediately contact your local dealer.
E: 9001	Requirement for DPF regeneration.	-	⊙	○	DPF must be regenerated, but low engine rpm is unable to start DPF regeneration. If you leave the machine with the hydraulic locked, the engine can stop automatically.	Rev up the engine rpm and start DPF regeneration. If this error code number still appears, immediately contact your local dealer.
E: 9002	DPF is regenerated.	-	⊙	-	---	---
E: 9003	Requirement for DPF regeneration.	-	⊙	-	DPF must be regenerated, but unable to start regeneration.	Immediately contact your local dealer.
E: 9004	Requirement for DPF replacement.	-	⊙	-	DPF must be replaced.	Immediately contact your local dealer.
E: 9006	Requirement for DPF regeneration.	-	-	-	DPF must be regenerated, but unable to start regeneration because the inhibit switch is activated.	Move the machine to a safe place and release the inhibit switch to start DPF regeneration. If this error code number still appears, immediately contact your local dealer.
E: 9007	Requirement for DPF regeneration.	-	⊙	○	DPF must be regenerated, but unable to start regeneration because the inhibited switch is activated. If you leave the machine with the hydraulic locked, the engine can stop automatically.	Restart the engine, move the machine to a safe place and release the inhibit switch to start DPF regeneration. If this error code number still appears, immediately contact your local dealer.
E: 9010	Engine stop for DPF	-	-	⊙	The DPF regeneration fails to function. The machine is left with the hydraulic system locked, by which the engine stops itself.	Restart the engine, move the machine to a safe place and release the inhibit switch to start DPF regeneration. If this error code number still appears, immediately contact your local dealer.
E: 9100	Rpm sensor system	○	○	-	---	Immediately contact your local dealer.

Error Code Number	Problem or Failure	Machine condition				Provisional measure and Correction
		Engine performance			Machine performance	
		Acceleration limited	Engine output limited	Engine stopped		
E: 9101	Fuel or rail pressure system	⊙	⊙	⊙	---	Immediately contact your local dealer.
E: 9102	SCV system	⊙	⊙	-	---	Immediately contact your local dealer.
E: 9103	Intake air temperature sensor system	-	-	-	---	Immediately contact your local dealer.
E: 9104	Coolant temperature system	⊙	⊙	-	---	Immediately contact your local dealer.
E: 9105	Fuel temperature sensor system	-	-	-	---	Immediately contact your local dealer.
E: 9106	Injector system	⊙	⊙	○	---	Immediately contact your local dealer.
E: 9107	Intake air pressure sensor system	-	○	-	---	Immediately contact your local dealer.
E: 9108	Battery voltage system	⊙	⊙	○	---	Immediately contact your local dealer.
E: 9109	Sensor voltage system	⊙	⊙	○	---	Immediately contact your local dealer.
E: 9110	Main relay system	-	-	-	---	Immediately contact your local dealer.
E: 9112	Atmospheric pressure sensor system	-	○	-	---	Immediately contact your local dealer.
E: 9113	EGR valve system	-	⊙	-	---	Immediately contact your local dealer.
E: 9114	Pre overheat	-	⊙	-	---	For correction, refer to the Coolant Temperature Gauge section (page 16). Stop the engine and check the grill or oil cooler is clogged.
E: 9115	Engine overheat warning and Emission level caution	-	⊙	-	---	For correction, refer to the Coolant Temperature Gauge section (page 16). Stop the engine and check the grill or oil cooler is clogged. If this error code number still appears, immediately contact your local dealer.
E: 9117	Air heater system	-	-	-	---	Immediately contact your local dealer.
E: 9118	Engine oil pressure system	-	-	-	---	Stop the engine and check the engine oil level. If this error code number still appears, immediately contact your local dealer.
E: 9119	Charging system failure	-	-	-	---	Stop the engine and check the V-belt. If this error code number still appears, immediately contact your local dealer.

Error Code Number	Problem or Failure	Machine condition				Provisional measure and Correction
		Engine performance			Machine performance	
		Acceleration limited	Engine output limited	Engine stopped		
E: 9120	Fuel filter water warning	-	-	-	---	Stop the engine and check and drain the fuel filter. If this error code number still appears, immediately contact your local dealer.
E: 9121	Engine ECU	○	○	○	---	Immediately contact your local dealer.
E: 9122	ECU communication failure	○	○	-	---	Immediately contact your local dealer.
E: 9200	Mass air flow sensor system	-	○	-	---	Immediately contact your local dealer.
E: 9203	Intake air throttle	-	-	-	---	Immediately contact your local dealer.
E: 9204	Differential pressure sensor system	-	-	-	---	Immediately contact your local dealer.
E: 9205	Exhaust temperature sensor (DOC inlet)	-	-	-	---	Immediately contact your local dealer.
E: 9206	Exhaust temperature sensor (DOC outlet)	-	-	-	---	Immediately contact your local dealer.
E: 9207	Exhaust temperature sensor (DPF outlet)	-	-	-	---	Immediately contact your local dealer.
E: 9208	All the exhaust temperature sensors break down at once.	-	-	-	---	Immediately contact your local dealer.
E: 9211	DOC response is unusual.	◎	◎	-	---	Immediately contact your local dealer.
E: 9212	DPF regeneration timeout	-	-	-	---	Immediately contact your local dealer.
E: 9213	DPF regeneration Error (Water temperature is low)	-	-	-	---	Immediately contact your local dealer.
E: 9214	DPF regeneration cycle occurs too often.	-	◎	-	---	Immediately contact your local dealer.
E: 9300	Engine fuel system (P/L)	◎	◎	-	---	Check the fuel level and see if the fuel filter is clogged. If this error code number still appears, immediately contact your local dealer.
E: 9301	Engine fuel system (rail pressure)	◎	◎	-	---	Check the fuel level and see if the fuel filter is clogged. If this error code number still appears, immediately contact your local dealer.
E: 9302	Engine fuel system (leakage)	◎	◎	-	---	Check the fuel level and see if the fuel filter is clogged. If this error code number still appears, immediately contact your local dealer.

Error Code Number	Problem or Failure	Machine condition				Provisional measure and Correction
		Engine performance			Machine performance	
		Acceleration limited	Engine output limited	Engine stopped		
E: 9303	Engine fuel system (SCV)	⊙	⊙	-	---	Check the fuel level and see if the fuel filter is clogged. If this error code number still appears, immediately contact your local dealer.
E: 9304	Engine fuel system (supply pump).	⊙	⊙	-	---	Check the fuel level and see if the fuel filter is clogged. If this error code number still appears, immediately contact your local dealer.
E: 9305	Engine air intake system (poor air intake)	⊙	⊙	-	---	Check to see if any air-intake hose is disconnected and if the air cleaner element is clogged. If this error code number still appears, immediately contact your local dealer.
E: 9306	Engine air intake system (boost pressure too low)	⊙	⊙	-	---	Check to see if any air-intake hose is disconnected and if the air cleaner element is clogged. If this error code number still appears, immediately contact your local dealer.
E: 9307	Engine exhaust temperature (DOC inlet) is not as specified.	-	-	⊙	---	Check the fuel level and see if the fuel filter is clogged. Check to see if any air-intake hose is disconnected and if the air cleaner element is clogged. If this error code number still appears, immediately contact your local dealer.
E: 9308	Engine exhaust temperature (DOC outlet) is not as specified.	-	-	⊙	---	Check the fuel level and see if the fuel filter is clogged. Check to see if any air-intake hose is disconnected and if the air cleaner element is clogged. If this error code number still appears, immediately contact your local dealer.
E: 9309	Engine exhaust temperature (DPF outlet) is not as specified.	-	-	⊙	---	Check the fuel level and see if the fuel filter is clogged. Check to see if any air-intake hose is disconnected and if the air cleaner element is clogged. If this error code number still appears, immediately contact your local dealer.
E: 9310	Starter turn-on limited	-	-	⊙	---	The starter is limited for its activation in response to any other error
E: 9400	Other failures	○	○	○	---	Immediately contact your local dealer.

OPERATION UNDER COLD WEATHER CONDITIONS

PREPARATION FOR OPERATION IN COLD WEATHER

1. Replace engine oil and hydraulic oil with those of viscosities suitable for cold weather.
2. In cold weather, battery power drops, and the battery fluid may freeze if the battery is not sufficiently charged. To prevent the battery fluid from freezing, be sure to keep the battery charged at least 80% or more of its capacity after operation. To ease next starting, it is recommended to keep the battery stored in closed or heated room.
3. Add anti-freeze to coolant in the radiator and recovery tank, if the ambient temperature is expected to drop below 0°C. Mixing ratio of water and anti-freeze depends on the expected ambient temperature. When mixing, stir it up well, and then fill into the radiator.

- Mixing ratio between water and anti-freeze

Ambient Temperature °C	-5	-10	-15	-20	-25	-30	-35
Antifreeze %	30	30	30	35	40	45	50
Water %	70	70	70	65	60	55	50

IMPORTANT :

- Use permanent anti-freeze or long-life coolant.
- Drain the coolant completely and clean the inside of the radiator, then fill with the water and anti-freeze mixture.
- The anti-freeze acts as an anti-corrosive, it is not necessary to add an additive to the water and anti-freeze mixture.
- See "Checking coolant Level" in "DAILY CHECKS" in "MAINTENANCE" section for radiator fill volumes.
- See "STARTING THE ENGINE UNDER COLD CONDITIONS" in "OPERATION OF THE ENGINE" section.

PROCEDURE AFTER COMPLETION OF WORK

Clean the machine thoroughly after work and wipe dry. Otherwise mud and earth on the tires could freeze if the temperature drops below the 0°C. Operation of the machine is then not possible. Store the machine in a dry place; if not possible, store on wooden planks or on mats. If the machine is kept on damp or muddy ground, the tires could freeze overnight. Operation of the machine is then not possible. Furthermore the reduction gear may be damaged.

Additionally, the piston rods of the hydraulic cylinders must be rubbed dry. Otherwise severe damage could occur if dirty water seeps through the seals.

LONG STORAGE



WARNING

To avoid personal injury or death:

- Do not clean the machine with the engine running.
- To avoid the danger of exhaust fume poisoning, do not operate the engine in a closed building or any areas without proper ventilation.
- When storing, remove the key from the starter switch to avoid unauthorized persons from operating the machine and getting injured.
- Bring the machine on a firm, flat, and level surface. Lower the lift arms on the ground.

■ Should the Machine be Stored for a Longer Period of Time, Observe Following Procedures:

1. The whole machine should be cleaned thoroughly and in all cases stored indoors. If the machine has to be kept outdoors, lay out wooden planks on even ground, place the machine on the planks and cover completely.
2. Do an oil change and grease the machine.
3. Heavily grease the visible section of the cylinder rods.
4. Remove the battery and store indoors.
5. If it is expected that the temperature will sink below the 0°C , add anti-freeze or drain coolant completely.
6. Inflate the tires to the recommended pressure shown in the operator's manual.
7. Fulfill the fuel tank and the hydraulic oil tank.

IMPORTANT :

- Wash the machine after stopping the engine.
If you wash the machine while running the engine, splashing water gets into the air cleaner through its intake and cause engine damage.
Carefully, wash and do not splash water over the air cleaner while the engine is running.

■ Observe Following Procedures when the Machine is to be Operated after Long Storage.

1. Wipe off the grease from the hydraulic cylinder rods.
2. Turn on the engine and operate the attachments and the drive mechanisms under no load in order to circulate the hydraulic oil.
(If the machine is stored for longer than one month, do steps 1 and 2 once every month.)

Periodic replacement of important component parts

To ensure safety in operation, you are strongly requested to inspect and service the machine at regular intervals. For added safety, ask your KUBOTA dealer to replace the following important component parts.

These parts are prone to degradation in material or subject to wear and tear with time. It is difficult to judge how much they have been affected at regular inspection. It is therefore necessary to replace them with new ones, whether wear is visible or not after a specified time of use.

If any are found worn even before the specified use, they must be repaired or replaced.

If any of the hose clamps are found deformed or cracked, they must also be replaced.

For the hydraulic hoses other than the ones to be replaced periodically, inspect them for the following points. If found unusual, tighten them up, replace them.

When replacing the hydraulic hoses, change their O rings and sealings with new ones.

For replacement of the important parts, contact your KUBOTA dealer.

- At the following periodic inspections, check the fuel hoses and hydraulic hoses as well.

Inspection Interval	Check points
Daily Checks	Leak at fuel and hydraulic hose connections and points
Every month	Leak at fuel and hydraulic hose connections and points Damages at fuel and hydraulic hose (cracks, chafing)
Every year	Leak at fuel and hydraulic hose connections and points Interference, deformation, degradation, twist and other damages (cracks, chafing) of fuel and hydraulic hoses

List of important component parts

No.	Component parts	Period
1	Fuel hose	Every 2 years or 4000 hours
2	Hydraulic hose	
3	Radiator hose	
4	Closed breather related rubber piping	
5	DPF differential pressure sensor rubber piping (Front and Back)	
6	Suction pipe downstream the AFS (Air Flow Sensor)	
7	Boost sensor pressure rubber piping	
8	Intake air line	

To prevent serious damage to the hydraulic system, use only a KUBOTA genuine hydraulic hose.

RECOMMENDED OILS

IMPORTANT :

1. Before delivery the hydraulic oil used was Idemitsu Daphne Super Hydro 46ST.
2. Use engine oil API service classification CJ-4 or CK-4.
3. Use SAE 90 (API, GL-4, GL-5) as drive unit oil for all seasons.

	Application	Viscosity	Shell	ExxonMobil	MIL-Standard
Engine oil	In winter or by low temperatures	SAE 10W	Shell Rotella T10W Shell Rimula 10W		MIL-L-2104C MIL-L-2104D
		SAE 20W	Shell Rotella T20W-2 Shell Rimula 20W-2		
	In summer or by high ambient temperatures	SAE 30	Shell Rotella T30 Shell Rimula 30		
		SAE 40	Shell Rotella T40 Shell Rimula 40		
		SAE 50	Shell Rimula 50		
All-Season engine oil	Multi-purpose	Shell Rotella T15W-40			
Gear oil	In winter or by low temperatures	SAE 75	Shell Oil S8643	Mobilube HD Plus 80W-90	MIL-L-2105C
		SAE 80	Shell Spirax HD80W		MIL-L-2105C
	In summer or by high ambient temperatures	SAE 90	Shell Spirax HD90		MIL-L-2105 MIL-L-2105C
		SAE 140	Shell Spirax HD140		MIL-L-2105C
	All-Season gear oil	Multi-purpose	Shell Spirax HD80W Shell Spirax HD85W		MIL-L-2105C
Hydraulic oil	In winter or by low temperatures	ISO 32	Shell Tellus S2M32	Mobil DTE 10 Excel 32	
		ISO 46	Shell Tellus S2M46		
	In summer or by high ambient temperatures	ISO 68	Shell Tellus S2M68	Mobil DTE 10 Excel 46	
Grease			Shell Alvania EP2	Mobilux EP2	
Fuel			Light oil No. 2-D (ASTM D975)		
Fuel under 5°C			Light oil No. 1-D (ASTM D975)		

NOTE :**◆ Engine Oil:**

- Oil used in the engine should have an American Petroleum Institute (API) service classification and Proper SAE Engine Oil according to the ambient temperatures.

Above 25 °C	SAE 30 or SAE 10W-30, SAE 15W-40
0 °C to 25 °C	SAE 20 or SAE 10W-30, SAE 15W-40
Below 0 °C	SAE 10W or SAE 10W-30

- Refer to the following table for the suitable API classification engine oil and the fuel.

Fuel used	Engine oil classification (API classification)
	Oil class of engines except external DPF
Ultra Low Sulfur Fuel [<0.0015% (15 ppm)]	CJ-4 or CK-4

◆ Fuel:

- Use the ultra low sulfur diesel fuel only [below 0.0015 % (15 ppm)] for these engines.
- Cetane number of 45 minimum. Cetane number greater than 50 is preferred, especially for temperatures below -20 °C or elevations above 1500 m.
- Diesel fuels specified to EN 590 or ASTM D975 are recommended.
- No. 2-D is a distillate fuel of lower volatility for engines in industrial and heavy mobile service. (SAE J313 JUN87)
- Indicated capacities of water and oil are manufacture's estimate.

IMPORTANT :

- If you use different fuel or engine oil, the cleaning efficiency of the DPF will be reduced and the DPF longevity will be shorter than expected. (3000 hours)
- Filters must trap fuel and lubricant sulfate additives (Zn, Pb, Na, K, Ca, Mg, Cu, Ba, P, etc.) as ash during combustion. Fuel must be controlled carefully to prevent the additives being mixed into fuel such as fuel tank anti-oxidants, water remover, anti-freeze and so on.

BIODIESEL FUEL (BDF)

B0-B20 Biodiesel fuels (BDF): mixed diesel fuels containing 20% or less biodiesel can be utilized under the following conditions.

IMPORTANT :

- Refueling and handling fuel should be done with caution in order to avoid contact with the fuel and spillage that could create a potential environmental or fire hazard. Wear appropriate protective equipment when refueling.
- ◆ Applicable BDF:
 1. Blended diesel fuels containing 6% through 20% BDF (B6 - B20) which comply with American Society for Testing and Materials (ASTM) D7467 Standard, as revised, can be used without adversely affecting the performance and durability of the engine and fuel system components.
 2. Any mineral oil diesel fuel, if used, must conform to ASTM D975 (or the European EN590) Standard, as revised. B100 fuel used to make Biodiesel blended fuels must meet ASTM D6751 (or EN14214) Standard, as revised. The final blended fuel B20 must conform to ASTM D7467 Standard, as revised. Straight vegetable oil is NOT allowed in any blended fuel.
 3. Allowable blended fuel is mineral oil diesel fuel blended with B100 (i.e. 100% BDF). The blended fuel ratio shall be less than 20% B100 and 80% or more diesel fuel. The B100 source used for Biodiesel blends must be purchased from an accredited BQ-9000 marketer or producer. More information about qualified marketer(s) and producer(s) can be found at <http://www.bq-9000.org>.
- ◆ Preparation:
 1. Before using BDF concentrations greater than B5, you are advised to replace the engine oil, engine oil filter and fuel filter with new oil and filters. For replacement procedures, refer to the "REGULAR CHECKS AND MAINTENANCE WORK" section.
- ◆ Product Warranty, Emission and Other Precautions:
 1. The engine emission control system was certified according to current regulations based on the use of non-BDF. When using BDF, the owner is advised to check applicable local and federal emission regulations and comply with all of them.
 2. BDF may cause restricted or clogged fuel filters during cold weather conditions, resulting in the engine not operating properly.
 3. BDF encourages the growth of microorganisms which may cause degradation of the fuel. This in turn may cause fuel line corrosion or reduce fuel filter flow earlier than expected.
 4. BDF inherently absorbs moisture which may cause degradation of the fuel earlier than expected. To avoid this, drain the water separator and fuel filter port often.
 5. Do not use Biodiesel concentrations higher than 20% (i.e. greater than B20). Engine performance and fuel consumption will be affected, and degradation of the fuel system components may occur.
 6. Do not readjust the engine fuel control system as this will violate emission control levels for which the equipment was approved.
 7. Compared with soybean-based and rapeseed-based feedstock, palm oil-based feedstock has a thicker consistency (i.e. higher viscosity) at lower temperatures. Consequently, fuel filter performance may be reduced, particularly during cold weather conditions.
 8. The KUBOTA Warranty, as specified in the Owner's Warranty Information Guide, only covers defects in product materials and workmanship. Accordingly, any problems that may arise due to the use of poor quality fuels that fail to meet the above requirements, whether biodiesel or mineral oil based, are not covered by the KUBOTA Warranty.
- ◆ Routine handling:
 1. Avoid spilling BDF onto painted surfaces as this may damage the finish. If fuel is spilled immediately wipe clean and flush with soapy water to avoid permanent damage.
 2. When using BDF, you are advised to maintain a full tank of fuel, especially overnight and during short term storage, to reduce condensation within the tank. Be sure to tighten the fuel cap after refueling to prevent moisture build up within the tank. Water in the Biodiesel mixture will damage fuel filters and may damage engine components.

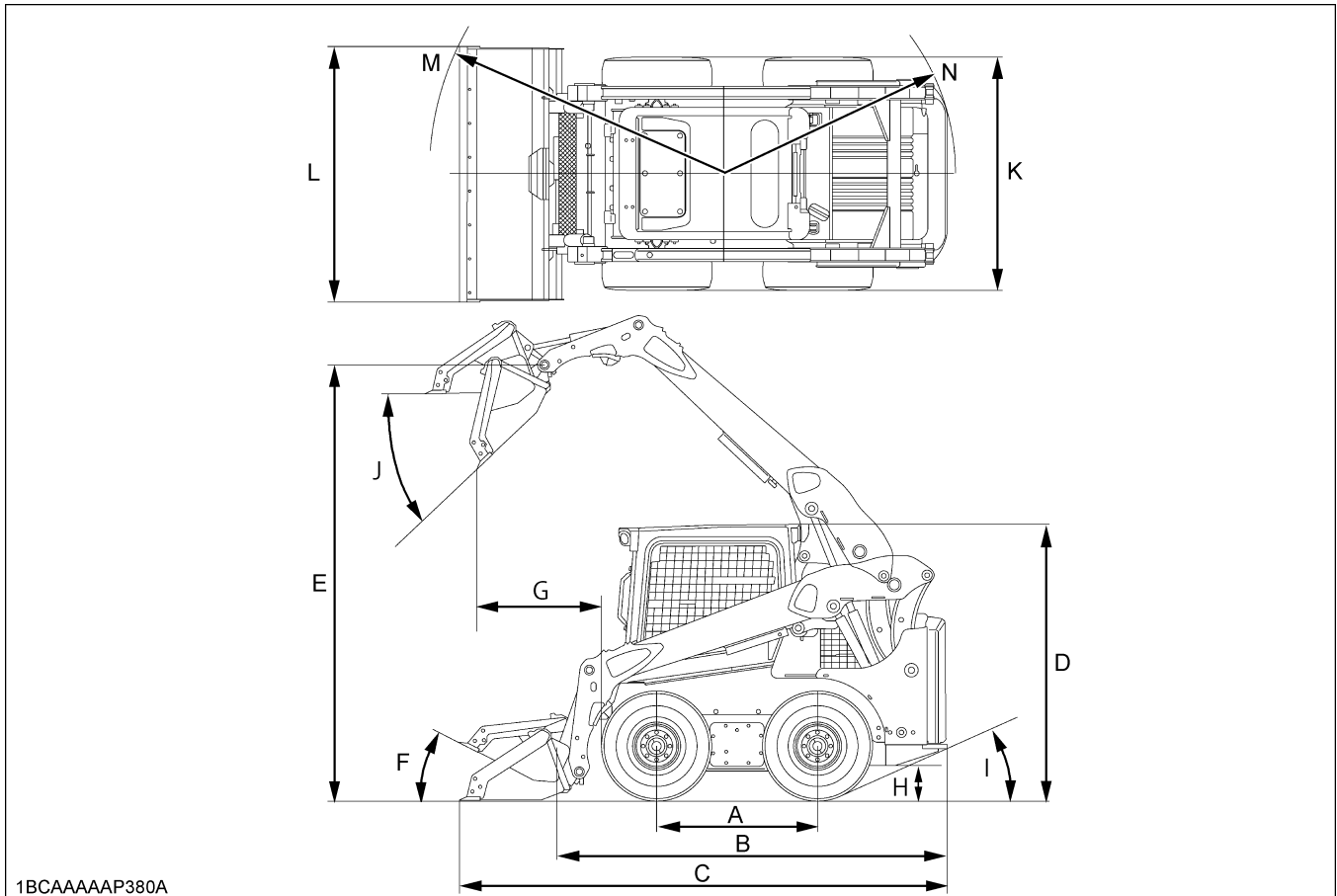
- ◆ Maintenance Requirements when using BDF B0 through B5:
Follow the oil change intervals recommended by referring to the "MAINTENANCE" section. Extended oil change intervals may result in premature wear or engine damage.
- ◆ Maintenance Requirements when using BDF B6 through B20:
The maintenance interval for fuel related parts changes.
See the table below for the new maintenance interval.

Items		Interval	Remarks
Water separator filter element	Replace	every 250 hrs	
Fuel filter cartridge	Replace	every 250 hrs	
Fuel line	Check	every 125 hrs	
	Replace	every 1 year	Consult your local KUBOTA Dealer for this service.

- ◆ Long Term Storage:
 1. BDF easily deteriorates due to oxygen, water, heat and foreign substances.
Do not store B6 through B20 longer than 1 month and B5 longer than 3 months.
 2. When using B6 through B20 and storing the machine longer than 1 month, drain the fuel from the tanks and replace with light mineral oil diesel fuel.
Subsequently, run the engine at least 30 minutes to remove all of the Biodiesel from the fuel lines.
 3. When using B5 fuel and storing machine longer than 3 months, drain the fuel from the tanks and replace with light mineral oil diesel fuel.
Subsequently, run the engine at least 30 minutes to remove all of the Biodiesel from the fuel lines.

APPENDICES

MAIN DIMENSIONS



1BCAAAAAP380A

Model			SSV65	SSV75
A	Length of tire on ground	mm	1125	1200
B	Length w/o bucket	mm	2700	2920
C	Length w/bucket on ground	mm	3439	3660
D	Height to top of cab	mm	2029	2065
E	Bucket hinge pin height at max. lift	mm	3085	3258
F	Rollback angle at carry position	degree	27	27
G	Reach at max. lift and dump	mm	831	936
H	Ground clearance	mm	193	207
I	Departure angle	degree	23.9	24.6
J	Max. dump angle	degree	41	43
K	Vehicle width	mm	1689	1823
L	Width with bucket	mm	1753	1905
M	Turning radius from center-machine front w/bucket	mm	2345	2503
N	Turning radius from center-machine rear	mm	1364	1435

NOTE :

- Above dimensions are based on the machine with KUBOTA standard bucket.
- Above dimensions are based on the machine with KUBOTA standard tire.
- Specifications subject to change without notice.